

ITEM	PART #	DESCRIPTION
	SFP-522	Bowl
	SFP-523	Connector 3/8" x 3/8" m cmp
	SFP-524	Bushing 3/8" x 1/4"
	SF-1880	Valve 3/8" x 3/8"
	SF-1735 SLT	Head
	SFP-525	Lock Washer
	SFP-500	Rubber Washer
	SFP-526	Fiber Washer
	SFP-527	Spud .45 G.P.M.
	SFP-509	Elbow 3/8" x 1/4" ml cmp
	SFP-528	Drain Holder
	SFP-529	Lock Nut
	SFP-530	Brass Washer
	SFP-531	Rubber Washer
	SFP-1206	Drain Assembly (Above 4pcs)
	SFP-532	Trap 1 1/2"

For models marked C/F, please contact factory.

No Drawing Available

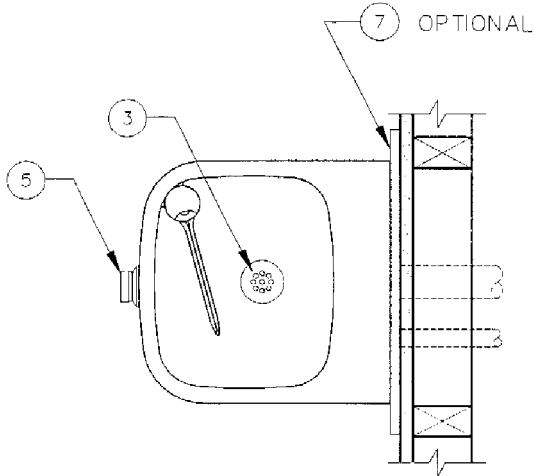
*When ordering parts
please specify your
model number.*

Sunroc

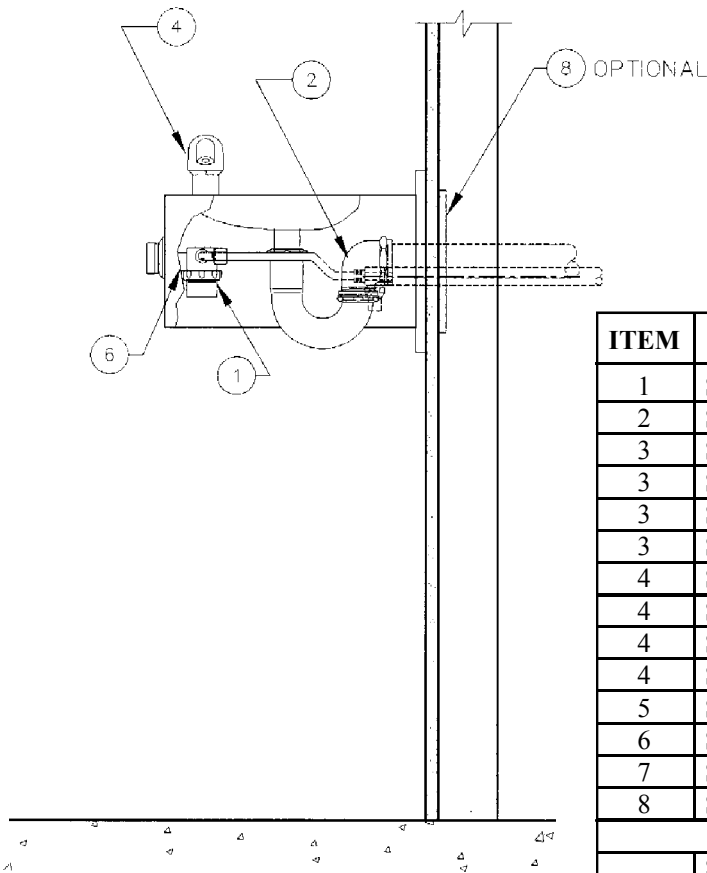
60 Starlifter Avenue, Dover, DE 19901

(302) 678-7800 • Fax (302) 678-7813 • Service (800) 220-1136 • www.sunroc.com

SF-3100



*When ordering parts
please specify your
model number.*



ITEM	PART #	DESCRIPTION
1	SF-1900	In-Line Strainer
2	SFP-532	Trap 1 1/2"
3	SFP-528	Drain Strainer
3	SFP-529	Lock Nut
3	SFP-530	Brass Washer
3	SFP-531	Rubber Washer
4	SF-1735 SLT	Bubbler Head
4	SFP-525	Lock Washer
4	SFP-500	Rubber Washer
4	SFP-526	Fiber Washer
5	SFP-1002	Push Button Valve
6	SF-1895	Valve
7	SFP-598	Stainless Steel Back Plate
8	SF-0100	Mounting Plate
Parts Not Shown		
	SFP-527	Spud .45 G.P.M.
	SFP-509	Elbow 3/8" x 1/4" ml cmp
	SFP-533	3/8" Poly Tubing (17")
	SFP-510	Elbow 3/8" x 1/4" f cmp
	SFP-534	Elbow 1/4" x 1/4" f
	SFP-536	Bowl

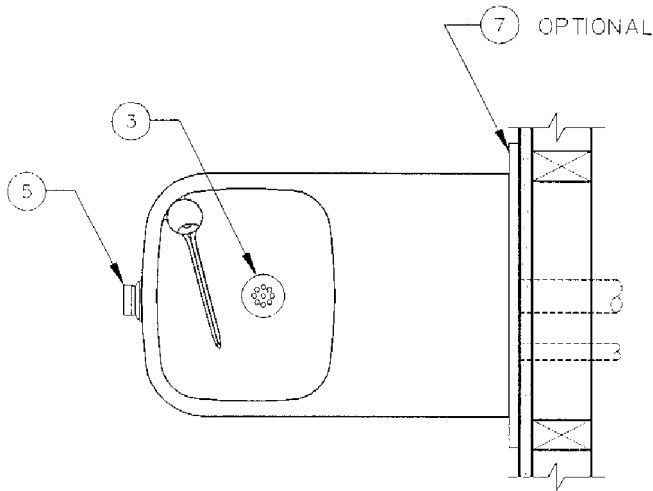
For models marked C/F, please contact factory.

Sunroc

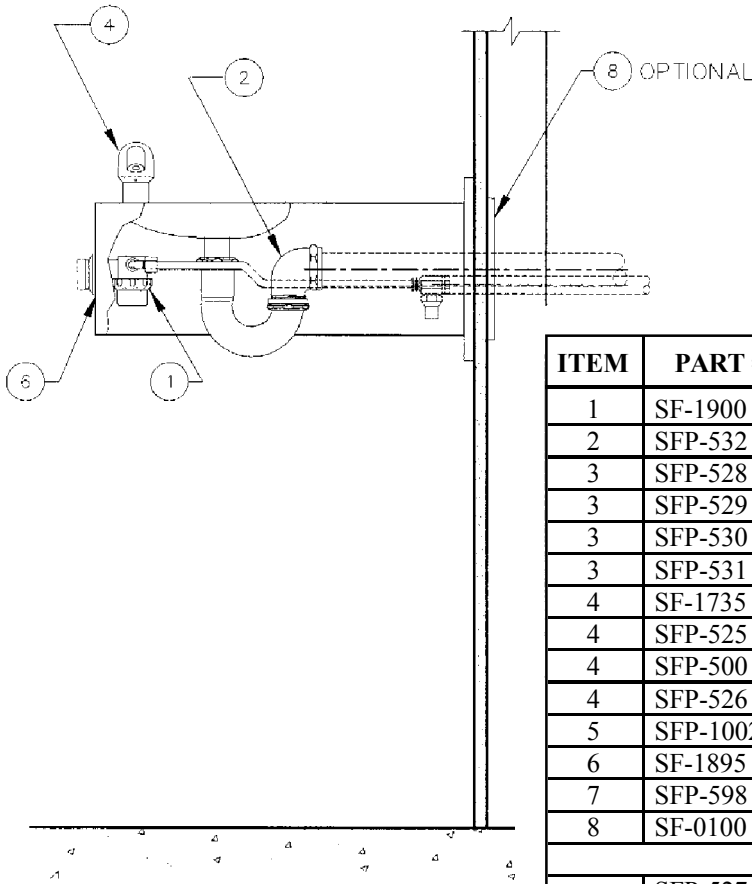
60 Starlifter Avenue, Dover, DE 19901

(302) 678-7800 • Fax (302) 678-7813 • Service (800) 220-1136 • www.sunroc.com

SF-3200



*When ordering parts
please specify your
model number.*



ITEM	PART #	DESCRIPTION
1	SF-1900	In-Line Strainer
2	SFP-532	Trap 1 1/2"
3	SFP-528	Drain Strainer
3	SFP-529	Lock Nut
3	SFP-530	Brass Washer
3	SFP-531	Rubber Washer
4	SF-1735 SLT	Bubbler Head
4	SFP-525	Lock Washer
4	SFP-500	Rubber Washer
4	SFP-526	Fiber Washer
5	SFP-1002	Push Button Valve
6	SF-1895	Valve
7	SFP-598	Stainless Steel Back Plate
8	SF-0100	Mounting Plate
Parts Not Shown		
	SFP-527	Spud .45 G.P.M.
	SFP-509	Elbow 3/8" x 1/4" ml cmp
	SFP-533	3/8" Poly Tubing (17")
	SFP-510	Elbow 3/8" x 1/4" f cmp
	SFP-534	Elbow 1/4" x 1/4" f
	SFP-536	Bowl

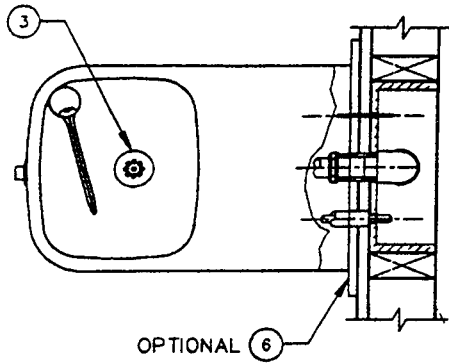
For models marked C/F, please contact factory.

Sunroc

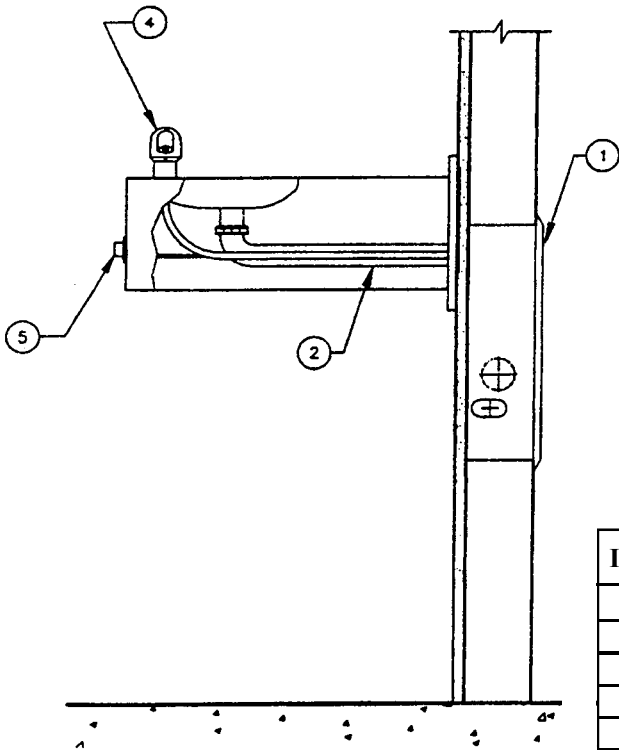
60 Starlifter Avenue, Dover, DE 19901

(302) 678-7800 • Fax (302) 678-7813 • Service (800) 220-1136 • www.sunroc.com

SF-3255



*When ordering parts
please specify your
model number.*



ITEM	PART #	DESCRIPTION
1	SF-0625	Freeze Valve System
2	SFP-535	Waste Arm
3	SFP-528	Drain Holder
3	SFP-529	Lock Nut
3	SFP-530	Brass Washer
3	SFP-531	Rubber Washer
4	SF-1735 SLT	Head
4	SFP-525	Lock Washer
4	SFP-500	Rubber Washer
4	SFP-526	Fiber Washer
5	SFP-1006	Push Button Assembly
6	SFP-598	Backplate
Parts Not Shown		
	SFP-527	Spud .45 G.P.M.
	SFP-509	Elbow 3/8" x 1/4" ml cmp
	SFP-537	Round Bowl
	SFP-512	Connector 3/8" x 3/8" f cmp
	SFP-515	Slip Joint Nut
	SFP-517	Slip Joint Washer

For models marked C/F, please contact factory.

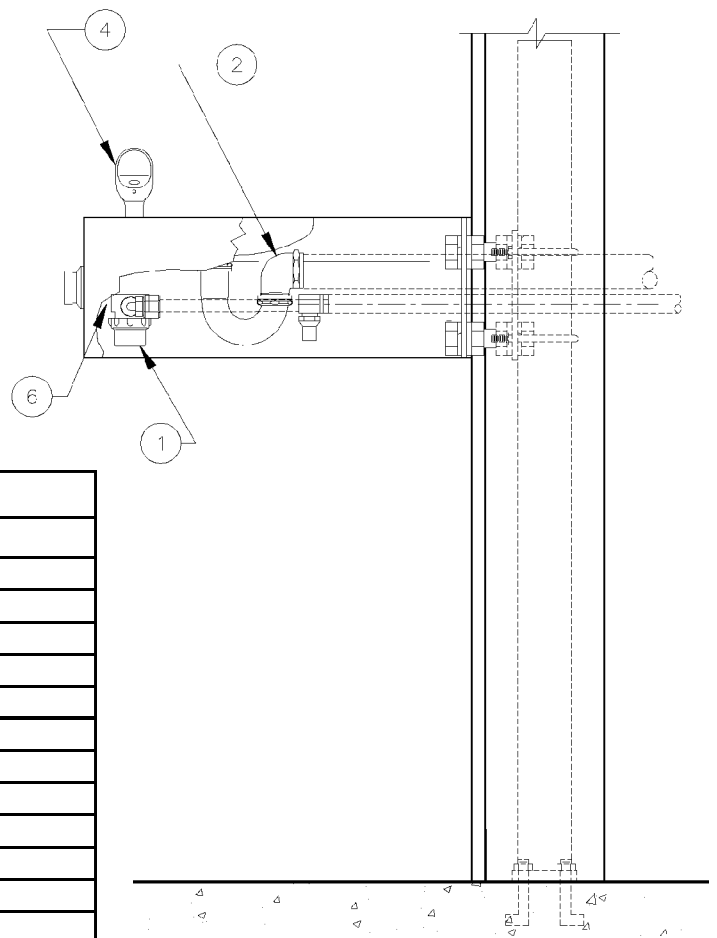
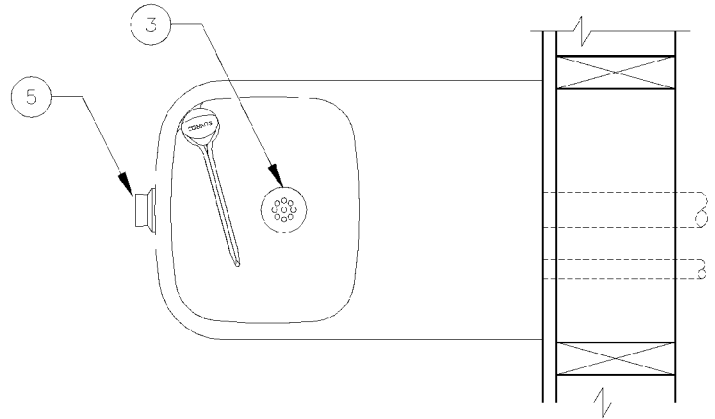
Sunroc

60 Starlifter Avenue, Dover, DE 19901

(302) 678-7800 • Fax (302) 678-7813 • Service (800) 220-1136 • www.sunroc.com

SF-3270

*When ordering parts
please specify your
model number.*



ITEM	PART #	DESCRIPTION
1	SF-1900	In-Line Strainer
2	SFP-532	Trap 1 1/2"
3	SFP-528	Drain Strainer
3	SFP-529	Lock Nut
3	SFP-530	Brass Washer
3	SFP-531	Rubber Washer
4	SF-1735 SLT	Bubbler Head
4	SFP-525	Lock Washer
4	SFP-500	Rubber Washer
4	SFP-526	Fiber Washer
5	SFP-1002	Push Button Valve
6	SF-1895	Valve
Parts Not Shown		
	SFP-527	Spud .45 G.P.M.
	SFP-509	Elbow 3/8" x 1/4" ml cmp
	SFP-533	3/8" Poly Tubing (17")
	SFP-510	Elbow 3/8" x 1/4" f cmp
	SFP-534	Elbow 1/4" x 1/4" f
	SFP-536	Bowl

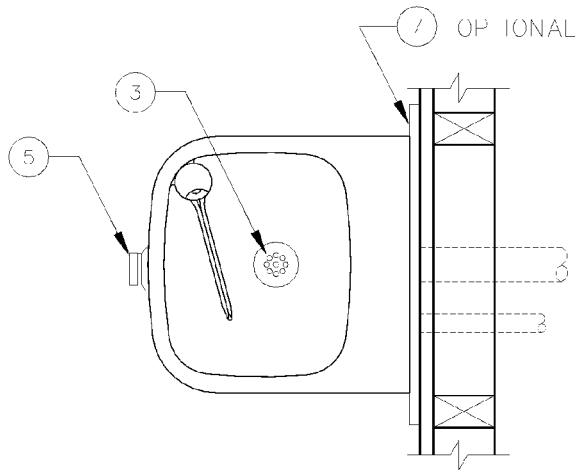
For models marked C/F, please contact factory.

Sunroc

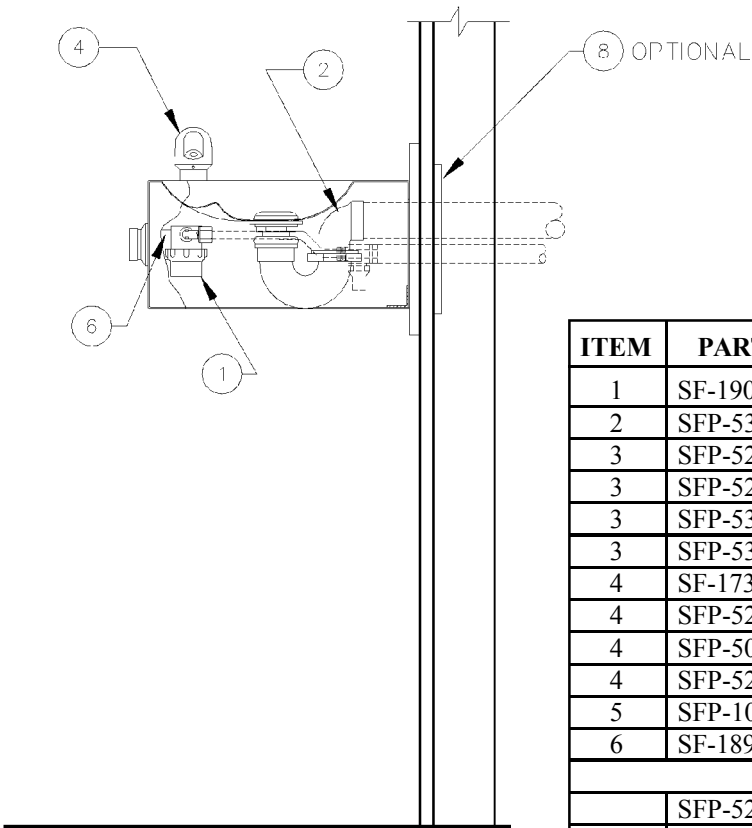
60 Starlifter Avenue, Dover, DE 19901

(302) 678-7800 • Fax (302) 678-7813 • Service (800) 220-1136 • www.sunroc.com

SF-3300



*When ordering parts
please specify your
model number.*



ITEM	PART #	DESCRIPTION
1	SF-1900	In-Line Strainer
2	SFP-532	Trap 1 1/2"
3	SFP-528	Drain Strainer
3	SFP-529	Lock Nut
3	SFP-530	Brass Washer
3	SFP-531	Rubber Washer
4	SF-1735 SLT	Bubbler Head
4	SFP-525	Lock Washer
4	SFP-500	Rubber Washer
4	SFP-526	Fiber Washer
5	SFP-1002	Push Button Valve
6	SF-1895	Valve
Parts Not Shown		
	SFP-527	Spud .45 G.P.M.
	SFP-509	Elbow 3/8" x 1/4" ml cmp
	SFP-533	3/8" Poly Tubing (17")
	SFP-510	Elbow 3/8" x 1/4" f cmp
	SFP-534	Elbow 1/4" x 1/4" f
	SFP-536	Bowl

For models marked C/F, please contact factory.

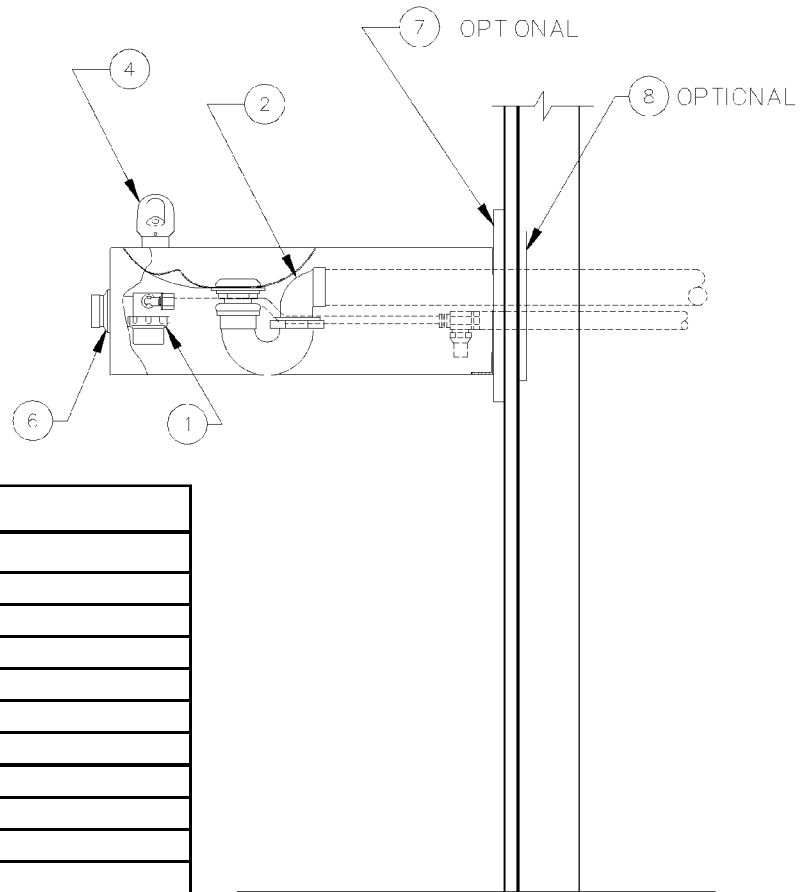
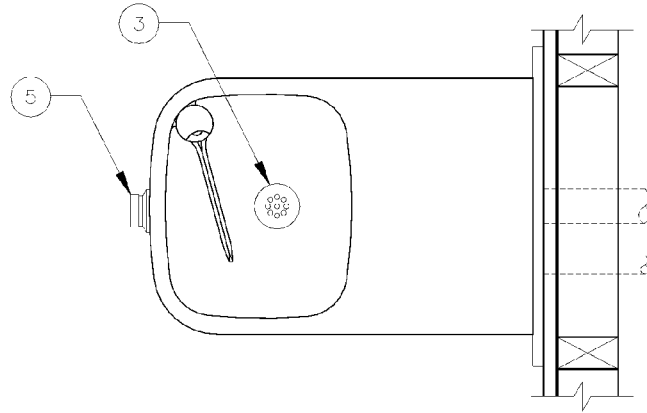
Sunroc

60 Starlifter Avenue, Dover, DE 19901

(302) 678-7800 • Fax (302) 678-7813 • Service (800) 220-1136 • www.sunroc.com

SF-3400

*When ordering parts
please specify your
model number.*



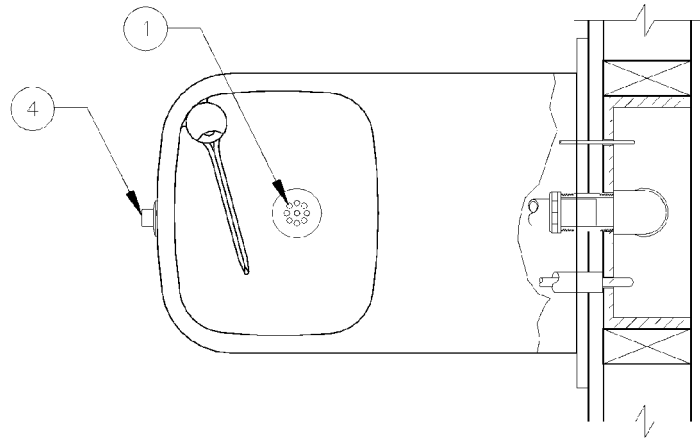
ITEM	PART #	DESCRIPTION
1	SF-1900	In-Line Strainer
2	SFP-532	Trap 1 1/2"
3	SFP-528	Drain Strainer
3	SFP-529	Lock Nut
3	SFP-530	Brass Washer
3	SFP-531	Rubber Washer
4	SF-1735 SLT	Bubbler Head
4	SFP-525	Lock Washer
4	SFP-500	Rubber Washer
4	SFP-526	Fiber Washer
5	SFP-1002	Push Button Valve
6	SF-1895	Valve
Parts Not Shown		
	SFP-527	Spud .45 G.P.M.
	SFP-509	Elbow 3/8" x 1/4" ml cmp
	SFP-533	3/8" Poly Tubing (17")
	SFP-510	Elbow 3/8" x 1/4" f cmp
	SFP-534	Elbow 1/4" x 1/4" f
	SFP-536	Bowl

For models marked C/F, please contact factory.

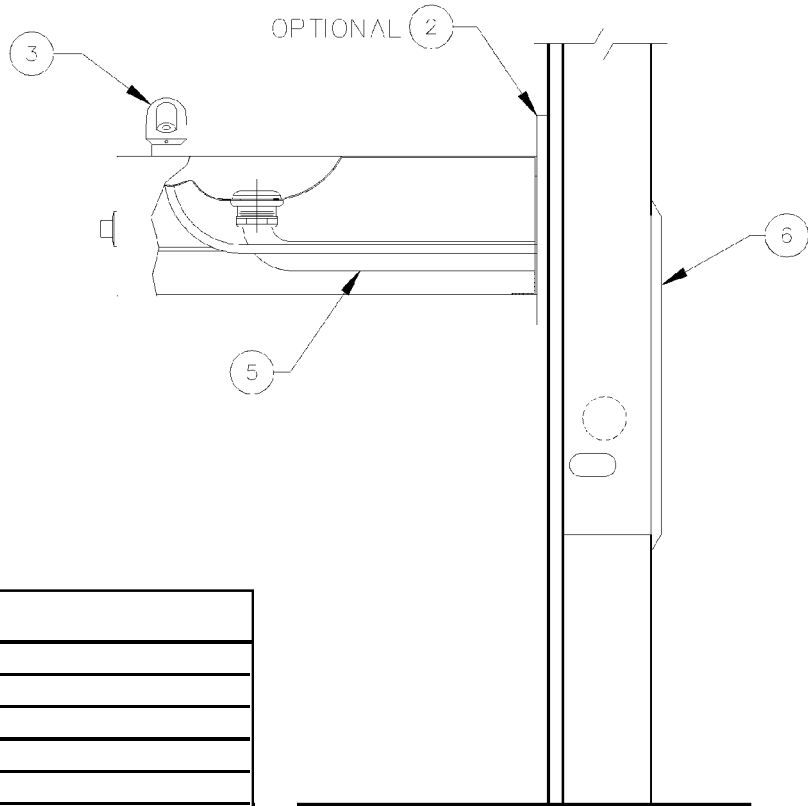
Sunroc

60 Starlifter Avenue, Dover, DE 19901

(302) 678-7800 • Fax (302) 678-7813 • Service (800) 220-1136 • www.sunroc.com



*When ordering parts
please specify your
model number.*



ITEM	PART #	DESCRIPTION
1	SFP-528	Drain Holder
1	SFP-529	Lock Nut
1	SFP-530	Brass Washer
1	SFP-531	Rubber Washer
2	SFP-598	Back Plate
3	SF-1735 SLT	Head
3	SFP-525	Lock Washer
3	SFP-500	Rubber Washer
3	SFP-526	Fiber Washer
4	SFP-1006	Push Button Assembly
5	SFP-535	Waste Arm
6	SFP-0625	Freeze Valve System

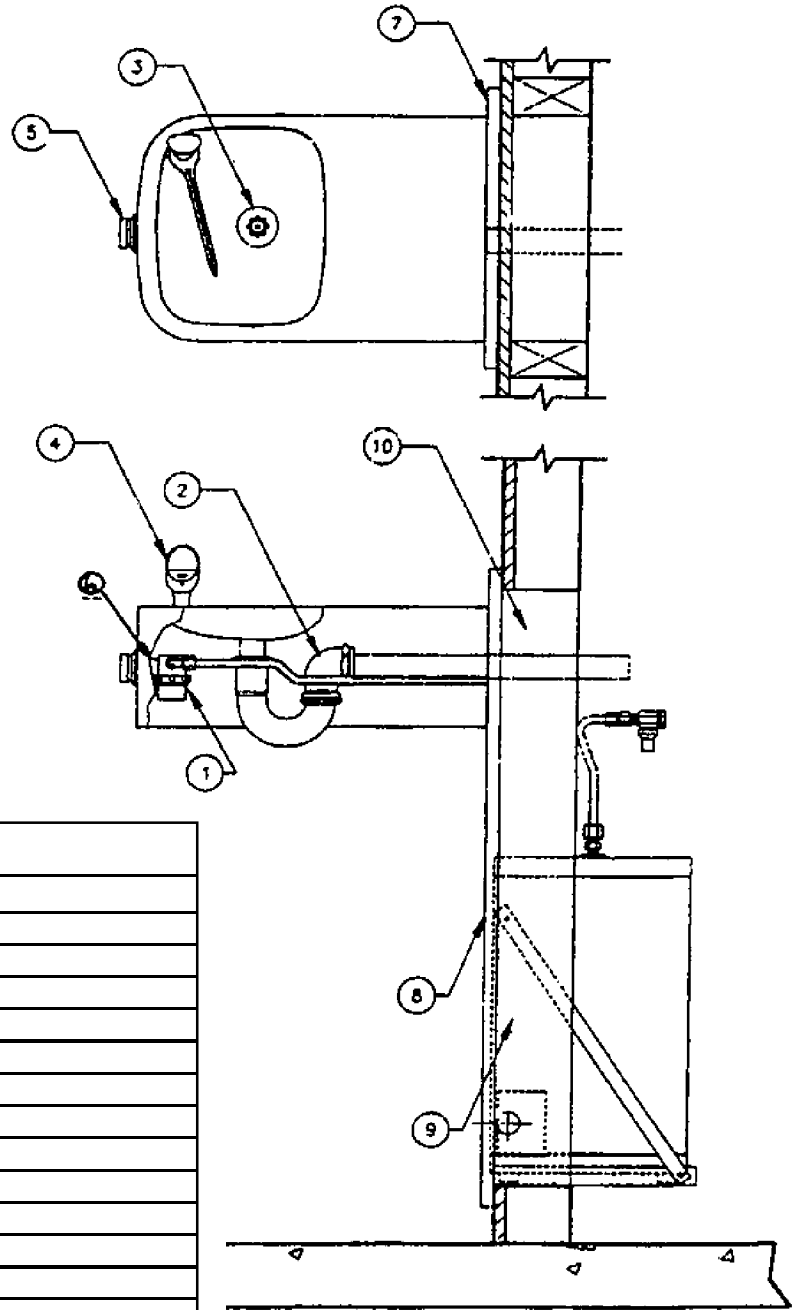
Sunroc

60 Starlifter Avenue, Dover, DE 19901

(302) 678-7800 • Fax (302) 678-7813 • Service (800) 220-1136 • www.sunroc.com

SRF-3500/3522

*When ordering parts
please specify your
model number.*



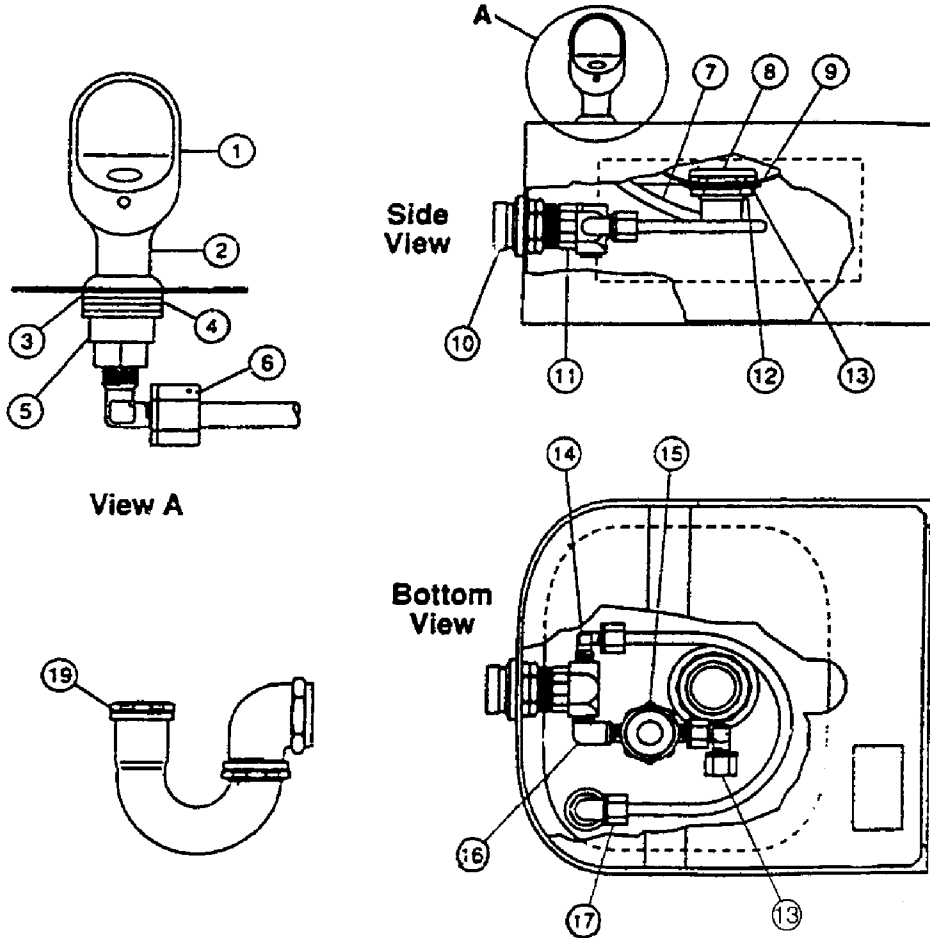
ITEM	PART #	DESCRIPTION
1	SF-1900	Strainer
2	SFP-532	Trap
3	SFP-528	Drain Holder
3	SFP-529	Lock Nut
3	SFP-530	Brass Washer
3	SFP-531	Rubber Washer
4	SF-1735 SLT	Head
4	SFP-525	Lock Washer
4	SFP-500	Rubber Washer
4	SFP-526	Fiber Washer
5	SFP-1002	Push Button
6	SF-1895	Valve
7	SFP-598	Backplate
8	SFP-599	Grille
9	21710000	RWC Chiller
10	SRF-9000	Mounting Frame
Parts Not Shown		
	SFP-527	Spud .45 G.P.M.
	SFP-509	Elbow 3/8" x 1/4" ml cmp
	SFP-533	3/8" x Poly Tubing (17")
	SFP-510	Elbow 3/8" x 1/4" f cmp
	SFP-534	Elbow 1/4" x 1/4" f
	SFP-537	Round Bowl

For models marked C/F, please contact factory.

Sunroc

60 Starlifter Avenue, Dover, DE 19901

(302) 678-7800 • Fax (302) 678-7813 • Service (800) 220-1136 • www.sunroc.com



*When ordering parts
please specify your
model number.*

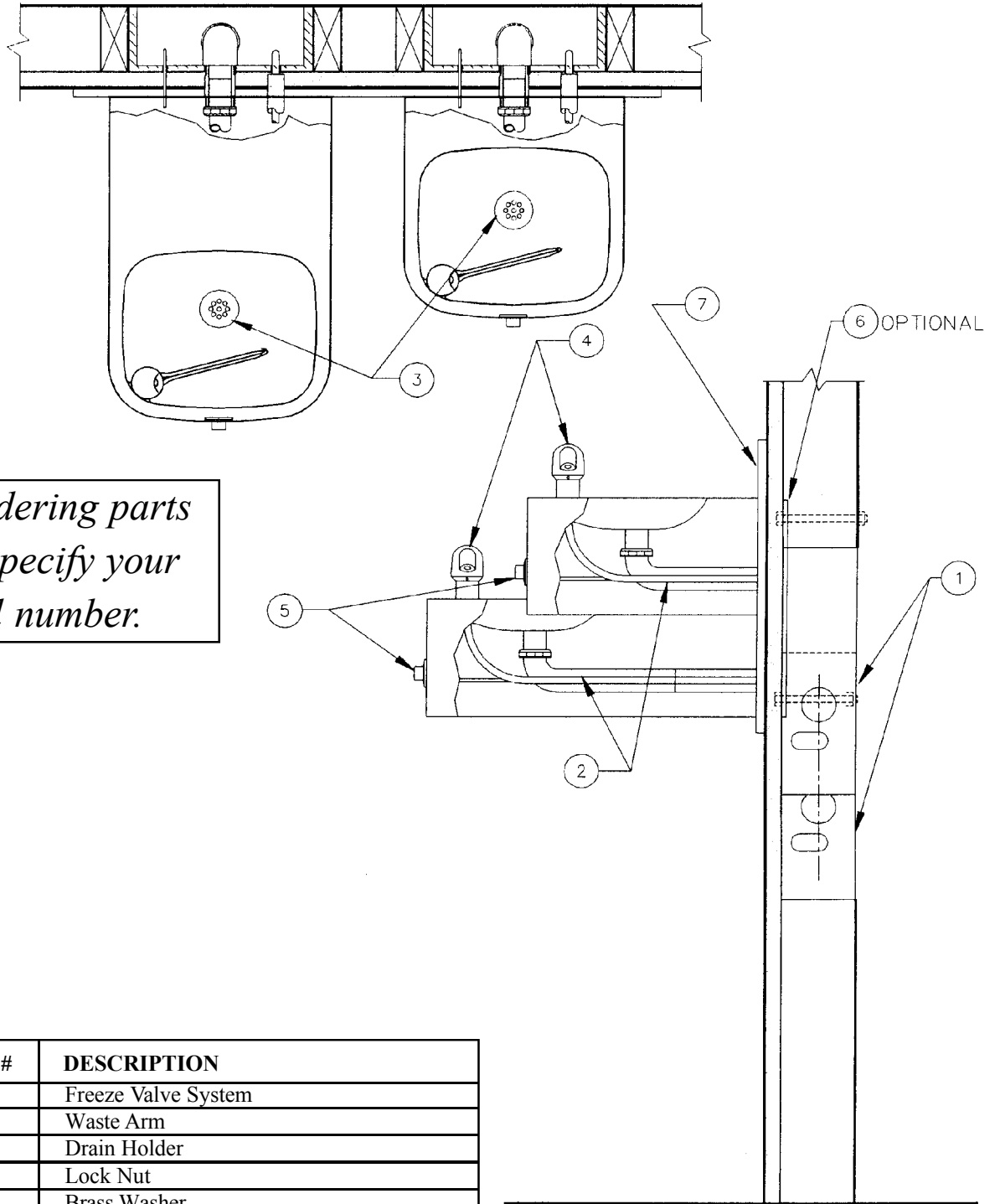
ITEM	PART #	DESCRIPTION
1	SF-1735 SLT	Head
2	SFP-525	Lock Washer
3	SFP-526	Fiber Washer
4	SFP-500	Rubber Washer
5	SFP-527	Spud .45 G.P.M.
6	SFP-509	Elbow 3/8" x 1/4" ml cmp
7	SFP-533	3/8" x Poly Tubing (17")
8	SFP-528	Drain Holder
9	SFP-531	Rubber Washer
10	SFP-1002	Push Button
11	SF-1895	Valve
12	SFP-530	Brass Washer
13	SFP-529	Lock Nut
14	SFP-509	Elbow 3/8" x 1/4" ml cmp
15	SFP-1900	In-Line Strainer
16	SFP-534	Elbow 1/4" x 1/4" f
17	SFP-509	Elbow 3/8" x 1/4" ml cmp
18	SFP-510	Elbow 3/8" x 1/4" f cmp
19	SFP-532	Trap 1 1/2"

Sunroc

60 Starlifter Avenue, Dover, DE 19901

(302) 678-7800 • Fax (302) 678-7813 • Service (800) 220-1136 • www.sunroc.com

SF-3655



*When ordering parts
please specify your
model number.*

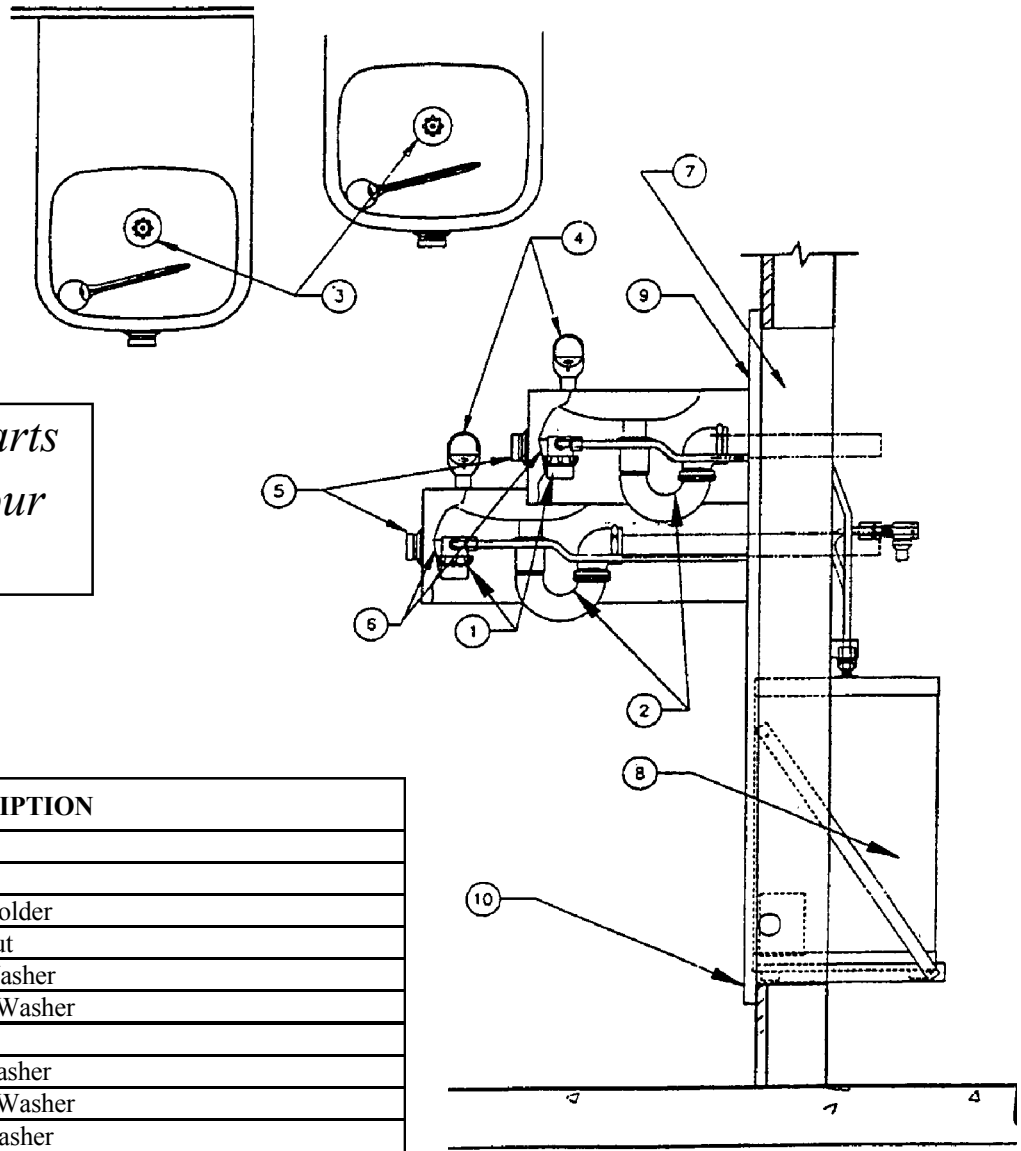
ITEM	PART #	DESCRIPTION
1	SF-0625	Freeze Valve System
2	SFP-535	Waste Arm
3	SFP-528	Drain Holder
3	SFP-529	Lock Nut
3	SFP-530	Brass Washer
3	SFP-531	Rubber Washer
4	SF-1725	Head
5	SFP-1006	Push Button Assembly
6	SF-0140	Mounting Plate
7	SFP-543	Back Plate

Sunroc

60 Starlifter Avenue, Dover, DE 19901

(302) 678-7800 • Fax (302) 678-7813 • Service (800) 220-1136 • www.sunroc.com

SRF-3700/3722



*When ordering parts
please specify your
model number.*

ITEM	PART #	DESCRIPTION
1	SF-1900	Strainer
2	SFP-532	Trap
3	SFP-528	Drain Holder
3	SFP-529	Lock Nut
3	SFP-530	Brass Washer
3	SFP-531	Rubber Washer
4	SF-1735 SLT	Head
4	SFP-525	Lock Washer
4	SFP-500	Rubber Washer
4	SFP-526	Fiber Washer
5	SFP-1002	Push Button
6	SF-1895	Valve
7	SRF-9025	Mounting Frame
8	21710000	RWC Chiller
9	SFP-543	Stainless Steel Back Panel
10	SFP-601	Grille
Parts Not Shown		
	SFP-527	Spud .45 G.P.M.
	SFP-509	Elbow 3/8" x 1/4" ml cmp
	SFP-533	3/8" x Poly Tubing (17")
	SFP-510	Elbow 3/8" x 1/4" f cmp
	SFP-534	Elbow 1/4" x 1/4" f
	SFP-537	Round Bowl

For models marked C/E, please contact factory.

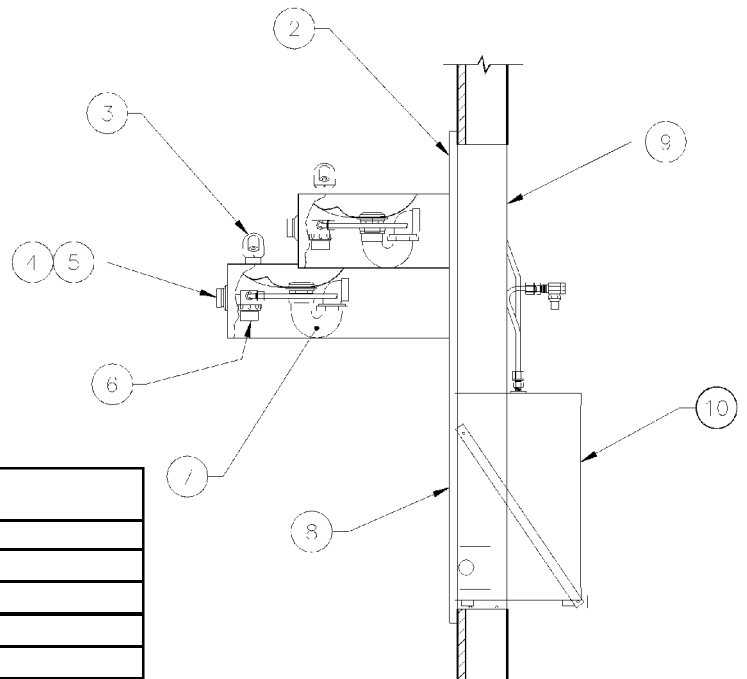
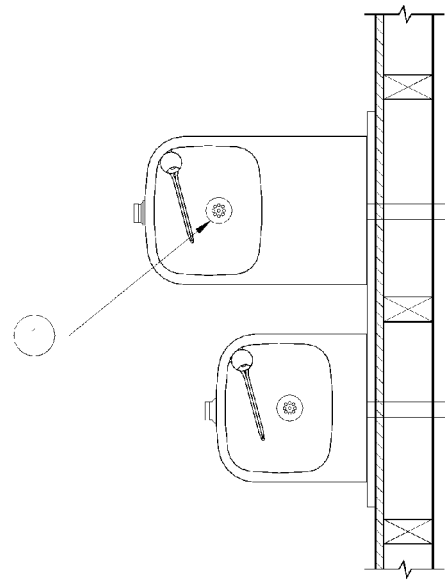
Sunroc

60 Starlifter Avenue, Dover, DE 19901

(302) 678-7800 • Fax (302) 678-7813 • Service (800) 220-1136 • www.sunroc.com

SRF-3800

*When ordering parts
please specify your
model number.*



ITEM	PART #	DESCRIPTION
1	SFP-528	Drain Strainer
1	SFP-529	Drain Lock Nut
1	SFP-530	Drain Washer Brass
1	SFP-531	Drain Washer Rubber
2	SFP-680	Back Panel
3	SF-1725	Bubbler Head
3	SFP-500	Rubber Washer Under Head
3	SFP-501	Fiber Washer Under Head
3	SFP-502	Lock Nut Under Head
4	SFP-1002	Push Button
5	SF-1895	Valve
6	SF-1900	Inline Strainer
7	SFP-677	1 1/4" Trap
8	SFP-601	Grille
9	SRF-9025	Mounting Frame
10	RWC-8	Chiller

For models marked C/F, please contact factory.

Sunroc

60 Starlifter Avenue, Dover, DE 19901

(302) 678-7800 • Fax (302) 678-7813 • Service (800) 220-1136 • www.sunroc.com