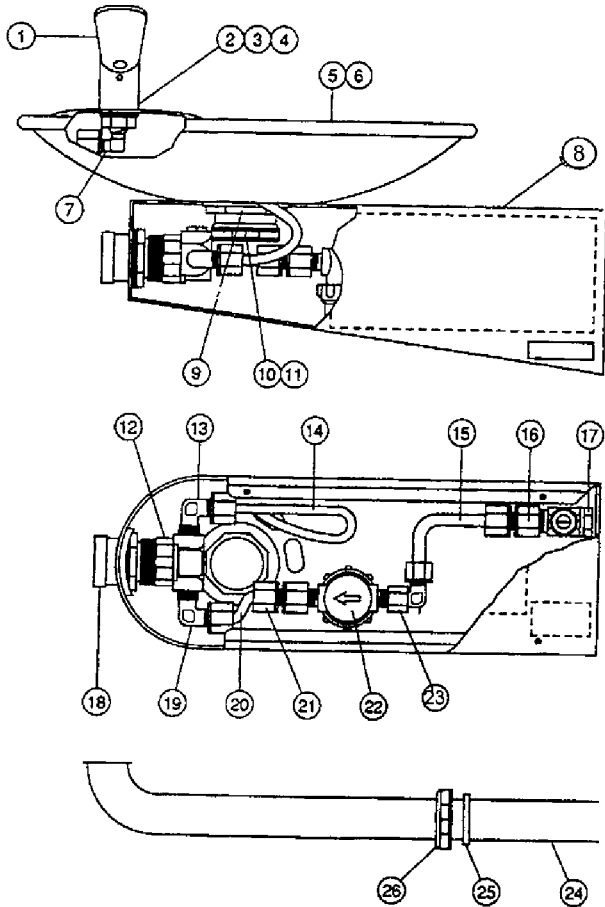


# SF-2000/2200



*When ordering parts  
please specify your  
model number.*

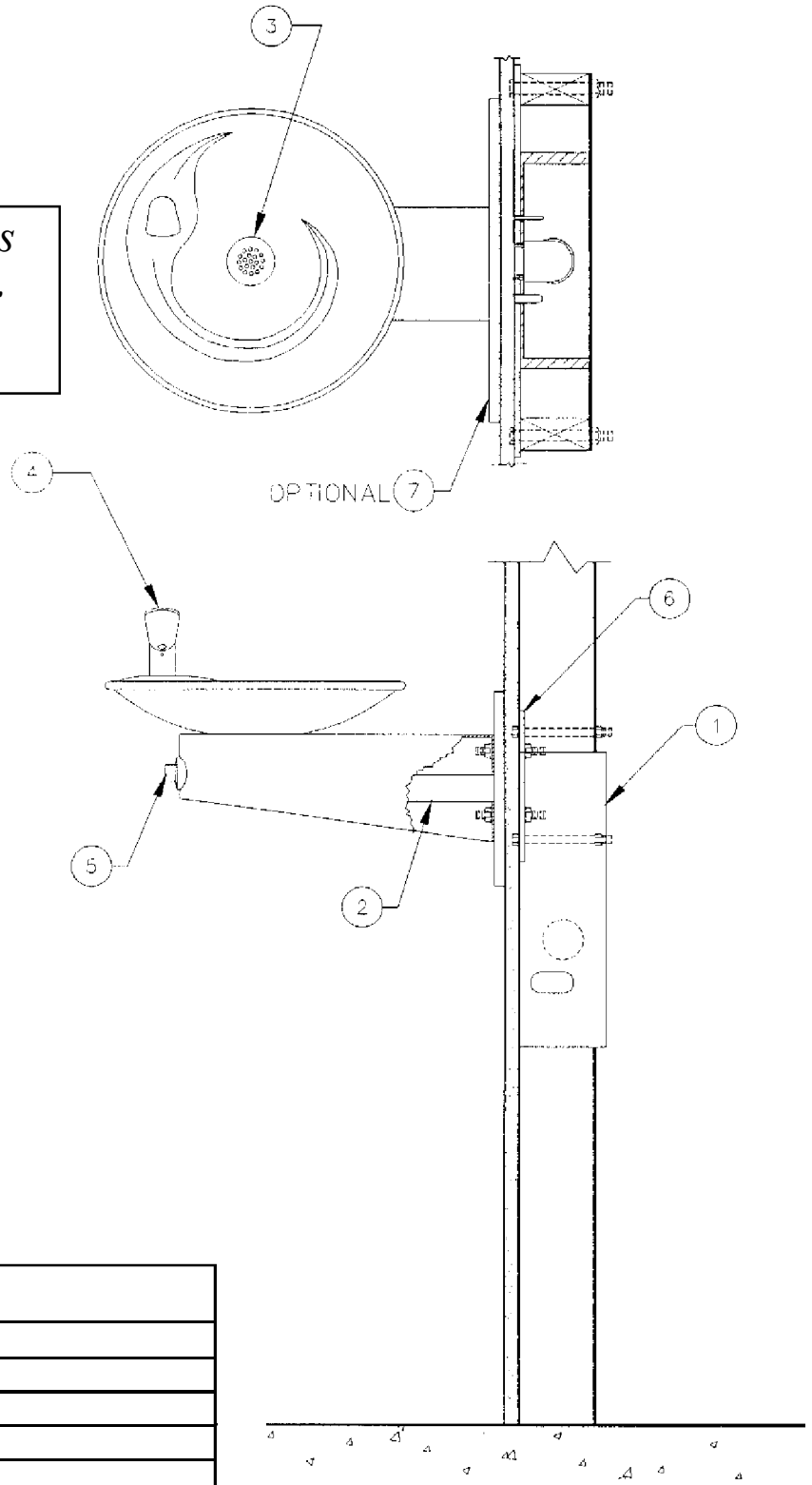
ITEM	PART #	DESCRIPTION
1	SF-1730	Bubbler Head
2	SFP-500	Rubber Washer
3	SFP-501	Fiber Washer
4	SFP-502	Hex Nut
5	SFP-519	Upper Swirl Bowl
6	SFP-520	Lower Swirl Bowl
7	SFP-503	Elbow 3/8 x 1/4
8	SFP-518	Bowl Bracket
9	SFP-505	Drain Strainer
10	SFP-506	Drain Fiber Washer
11	SFP-507	Drain Lock Nut
12	SF-1895	Valve
13	SFP-509	Elbow 3/8 x 1/4 ml cmp
14	SFP-533	Poly Tubing (42")
15	SFP-647	Copper Tube 3/8" (10")
16	SFP-512	Connector 3/8" x 3/8" f cmp
17	SFP-513	Key Stop
18	SFP-1001	Push Button
19	SFP-509	Elbow 3/8" x 1/4" ml cmp
20	SFP-648	3/8" Poly Pro Tubing (2")
21	SFP-511	Connector 3/8" x 1/4" f cmp
22	SFP-1900	In-Line Strainer
23	SFP-510	Elbow 3/8" x 1/4" f cmp
24	SFP-514	Waste Bend 15 3/4" long
25	SFP-515	SJ Nut
26	SFP-517	SJ Washer

## Sunroc

60 Starlifter Avenue, Dover, DE 19901

(302) 678-7800 • Fax (302) 678-7813 • Service (800) 220-1136 • [www.sunroc.com](http://www.sunroc.com)

*When ordering parts  
please specify your  
model number.*



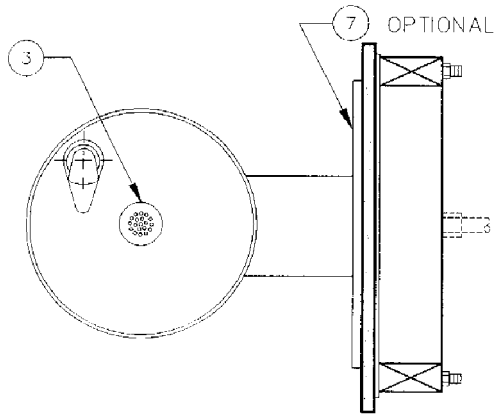
ITEM	PART #	DESCRIPTION
1	SF-0625	Freeze Resistant System
2	SFP-514	Waste Bend
3	SFP-602	Drain Strainer
4	SF-1730	Bubbler Head
5	SFP-1006	Push Button Assembly
6	SF-0100	Mounting Plate
7	SF-0151	Back Panel

## Sunroc

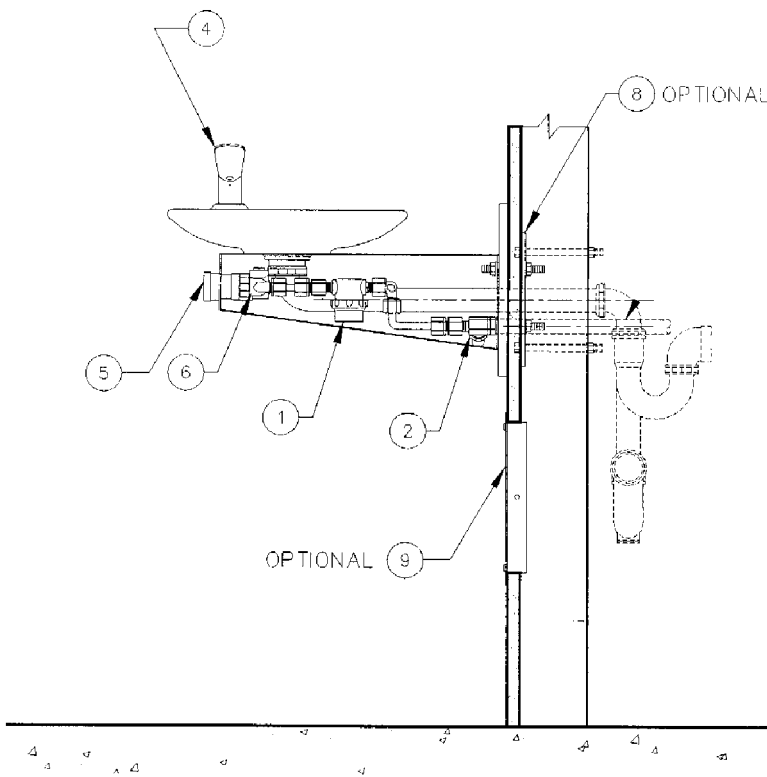
60 Starlifter Avenue, Dover, DE 19901

(302) 678-7800 • Fax (302) 678-7813 • Service (800) 220-1136 • [www.sunroc.com](http://www.sunroc.com)

# SF-2465



*When ordering parts  
please specify your  
model number.*



ITEM	PART #	DESCRIPTION
1	SF-1900	In-Line Strainer
2	SFP-513	Key Stop
3	SFP-1207	Drain Assembly
4	SF-1730	Bubbler Head
5	SFP-1001	Push Button
6	SF-1895	Valve
7	SF-598	Backplate
8	SF-0100	Mounting Plate

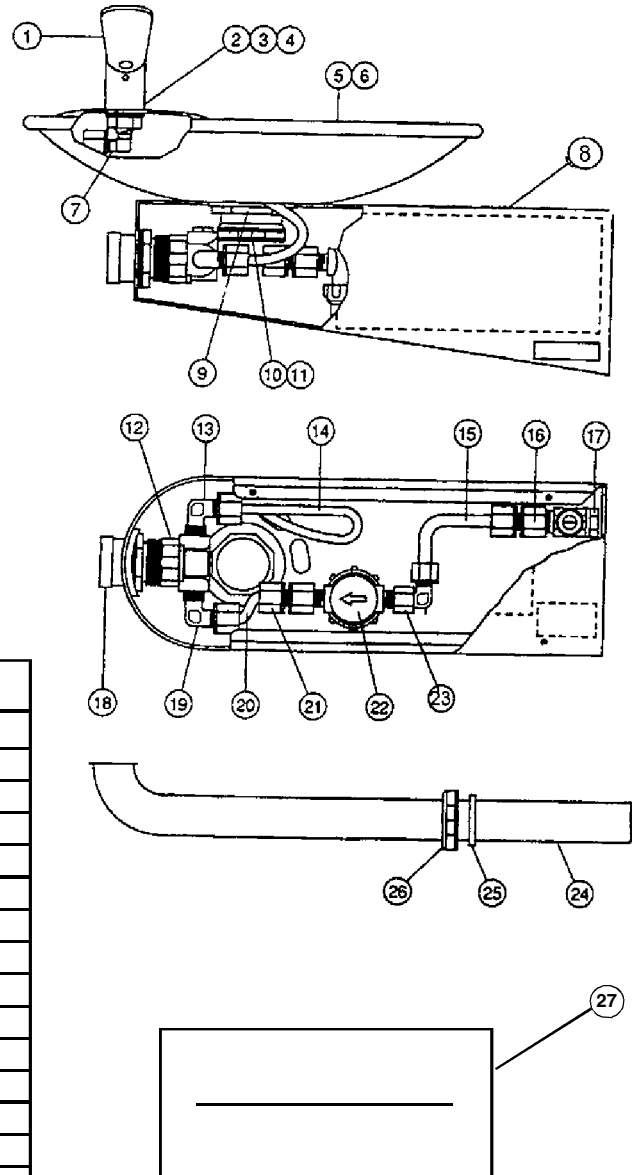
## Sunroc

60 Starlifter Avenue, Dover, DE 19901

(302) 678-7800 • Fax (302) 678-7813 • Service (800) 220-1136 • [www.sunroc.com](http://www.sunroc.com)

# SF-2500

*When ordering parts  
please specify your  
model number.*



ITEM	PART #	DESCRIPTION
1	SF-1730	Bubbler Head
2	SFP-500	Rubber Washer
3	SFP-501	Fiber Washer
4	SFP-502	Hex Nut
5	SFP-519	Upper Swirl Bowl
6	SFP-520	Lower Swirl Bowl
7	SFP-503	Elbow 3/8 x 1/4
8	SFP-518	Bowl Bracket
9	SFP-505	Drain Strainer
10	SFP-506	Drain Fiber Washer
11	SFP-507	Drain Lock Nut
12	SF-1895	Valve
13	SFP-509	Elbow 3/8 x 1/4 ml cmp
14	SFP-533	Poly Tubing (42")
15	SFP-647	Copper Tube 3/8" (10")
16	SFP-512	Connector 3/8" x 3/8" f cmp
17	SFP-513	Key Stop
18	SFP-1001	Push Button
19	SFP-509	Elbow 3/8" x 1/4" ml cmp
20	SFP-648	3/8" Poly Pro Tubing (2")
21	SFP-511	Connector 3/8" x 1/4" f cmp
22	SFP-1900	In-Line Strainer
23	SFP-510	Elbow 3/8" x 1/4" f cmp
24	SFP-514	Waste Bend 15 3/4" long
25	SFP-517	SJ Washer
26	SFP-515	SJ Nut
27	SFP-521	Stainless Steel Backplate

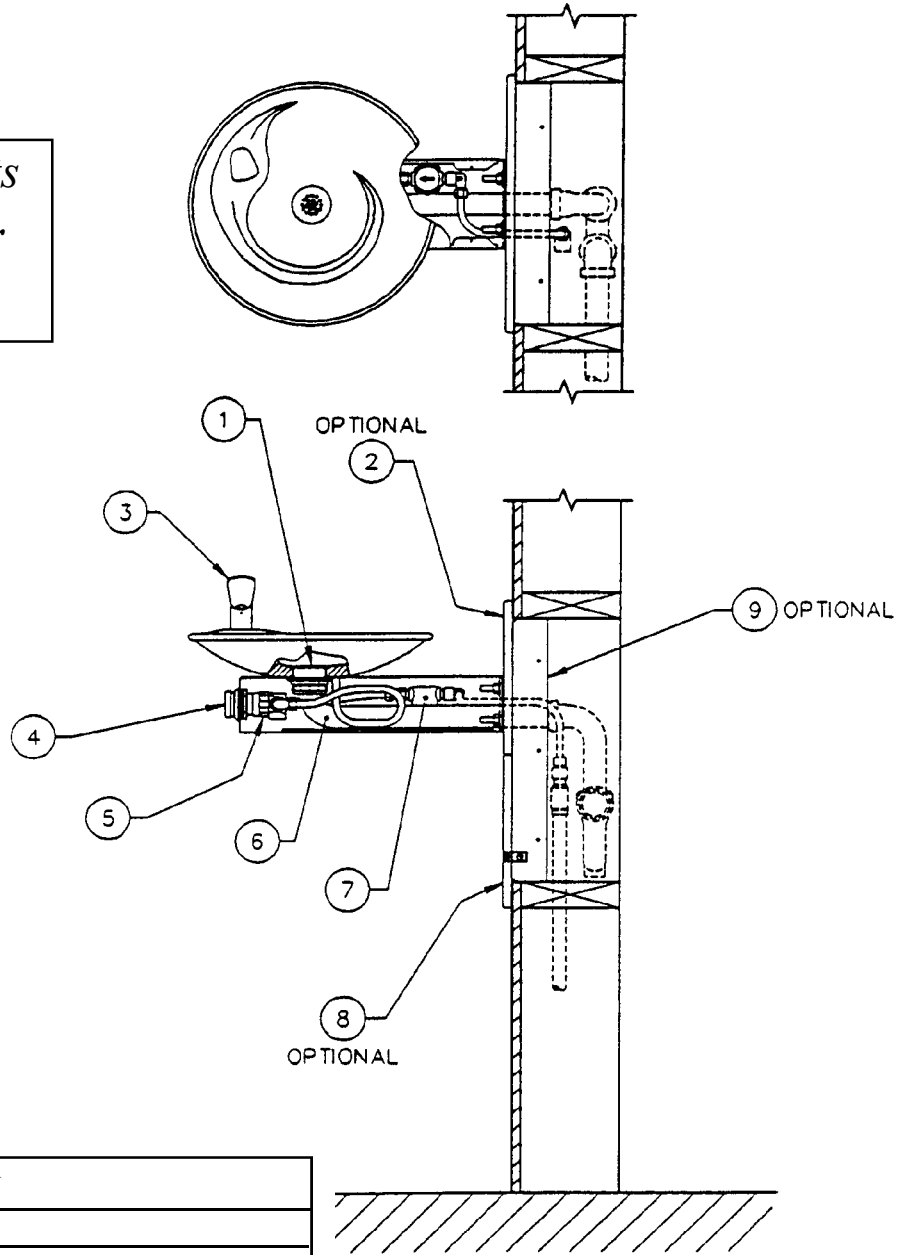
For models marked C/F, please contact factory.

**Sunroc**

60 Starlifter Avenue, Dover, DE 19901

(302) 678-7800 • Fax (302) 678-7813 • Service (800) 220-1136 • www.sunroc.com

*When ordering parts  
please specify your  
model number.*



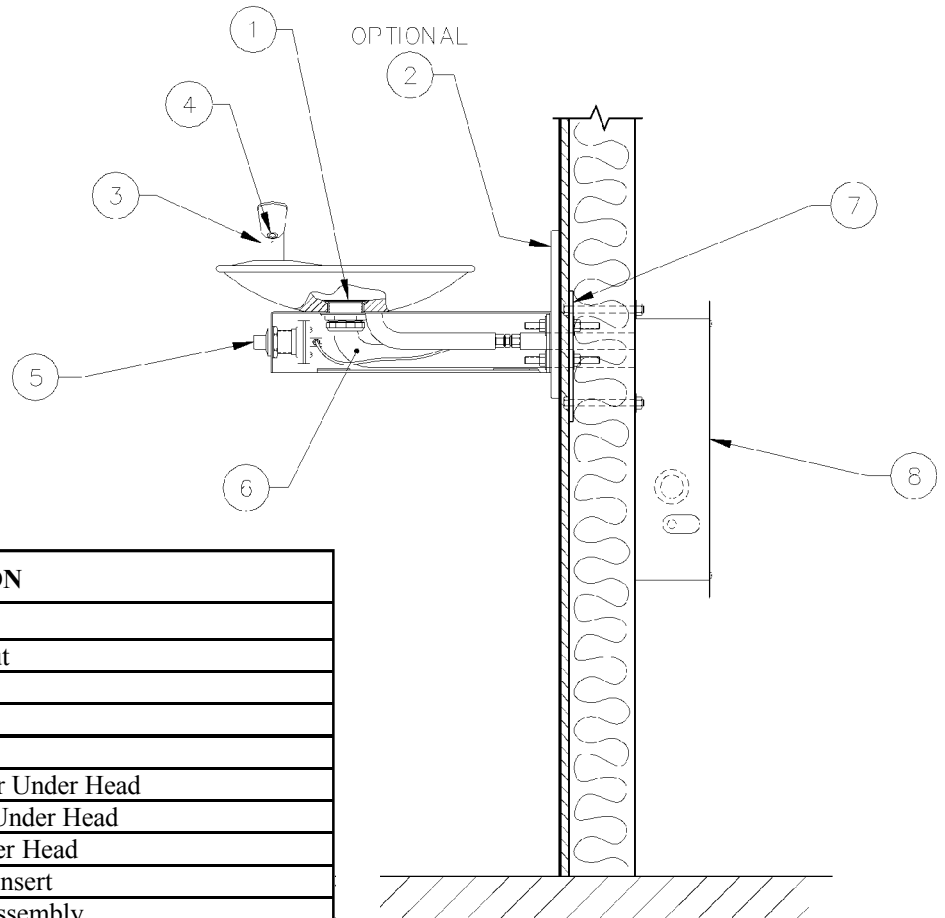
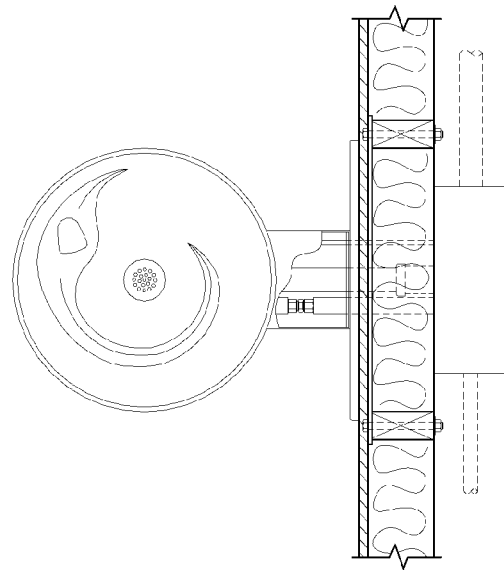
ITEM	PART #	DESCRIPTION
1	SFP-602	Drain Strainer
1	SFP-506	Drain Fiber Washer
1	SFP-507	Drain Lock Nut
1	SFP-515	Slip Joint Nut
1	SFP-516	Slip Joint Washer
2	SF-0151	Back Panel (optional)
3	SF-1730	Bubbler Head
4	SFP-1002	Push Button
5	SF-1895	Valve
6	SFP-514	Waste Bend
7	SF-1900	In-Line Strainer
8	SF-0200	Access Panel (optional)
9	SF-9001	Mounting Frame

**Sunroc**

60 Starlifter Avenue, Dover, DE 19901

(302) 678-7800 • Fax (302) 678-7813 • Service (800) 220-1136 • [www.sunroc.com](http://www.sunroc.com)

*When ordering parts  
please specify your  
model number.*

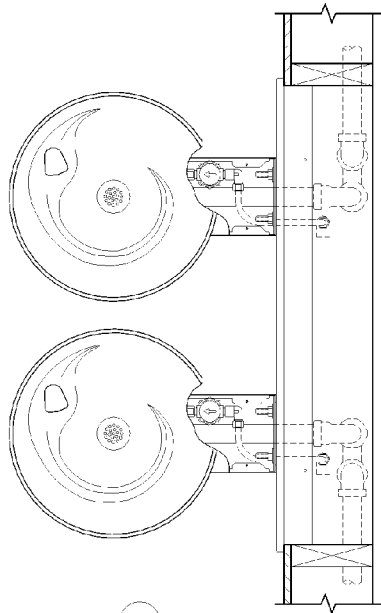


ITEM	PART #	DESCRIPTION
1	SFP-602	Drain Strainer
1	SFP-507	Drain Lock Nut
1	SFP-506	Drain Washer
2	SF-0151	Back Panel
3	SF-1730	Bubbler Head
3	SFP-500	Rubber Washer Under Head
3	SFP-501	Fiber Washer Under Head
3	SFP-502	Lock Nut Under Head
4	SFP-679	Non-Laminar Insert
5	SFP-1006	Push Button Assembly
6	SFP-514	Waste Bend
6	SFP-515	Slip Joint Nut
6	SFP-516	Slip Joint Washer
7	SF-0100	Mounting Plate
8	SF-0625	Freeze Resistant System

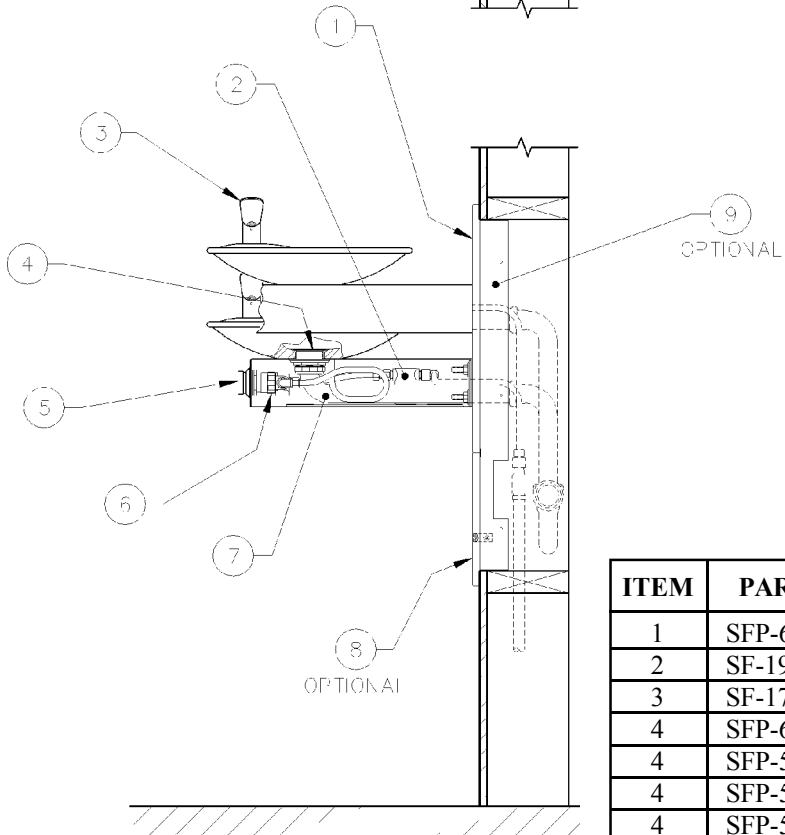
## Sunroc

60 Starlifter Avenue, Dover, DE 19901

(302) 678-7800 • Fax (302) 678-7813 • Service (800) 220-1136 • [www.sunroc.com](http://www.sunroc.com)



*When ordering parts  
please specify your  
model number.*



ITEM	PART #	DESCRIPTION
1	SFP-686	Back Panel
2	SF-1900	In-Line Strainer
3	SF-1730	Bubbler Head
4	SFP-602	Drain Strainer
4	SFP-506	Drain Fiber Washer
4	SFP-507	Drain Lock Nut
4	SFP-515	Slip Joint Nut
4	SFP-516	Slip Joint Washer
5	SFP-1002	Push Button
6	SF-1895	Valve
7	SFP-514	Waste Bend
8	SF-0202	Access Panel (optional)
9	SF-9002	Mounting Frame (optional)

**Sunroc**

60 Starlifter Avenue, Dover, DE 19901

(302) 678-7800 • Fax (302) 678-7813 • Service (800) 220-1136 • [www.sunroc.com](http://www.sunroc.com)