



# ILLUSTRATED PARTS BREAKDOWN

WATER COOLER MODEL:    **POU1LMK-D**  
   **POU1LMKY-D**



## POU1LMK-D SPECIFICATIONS

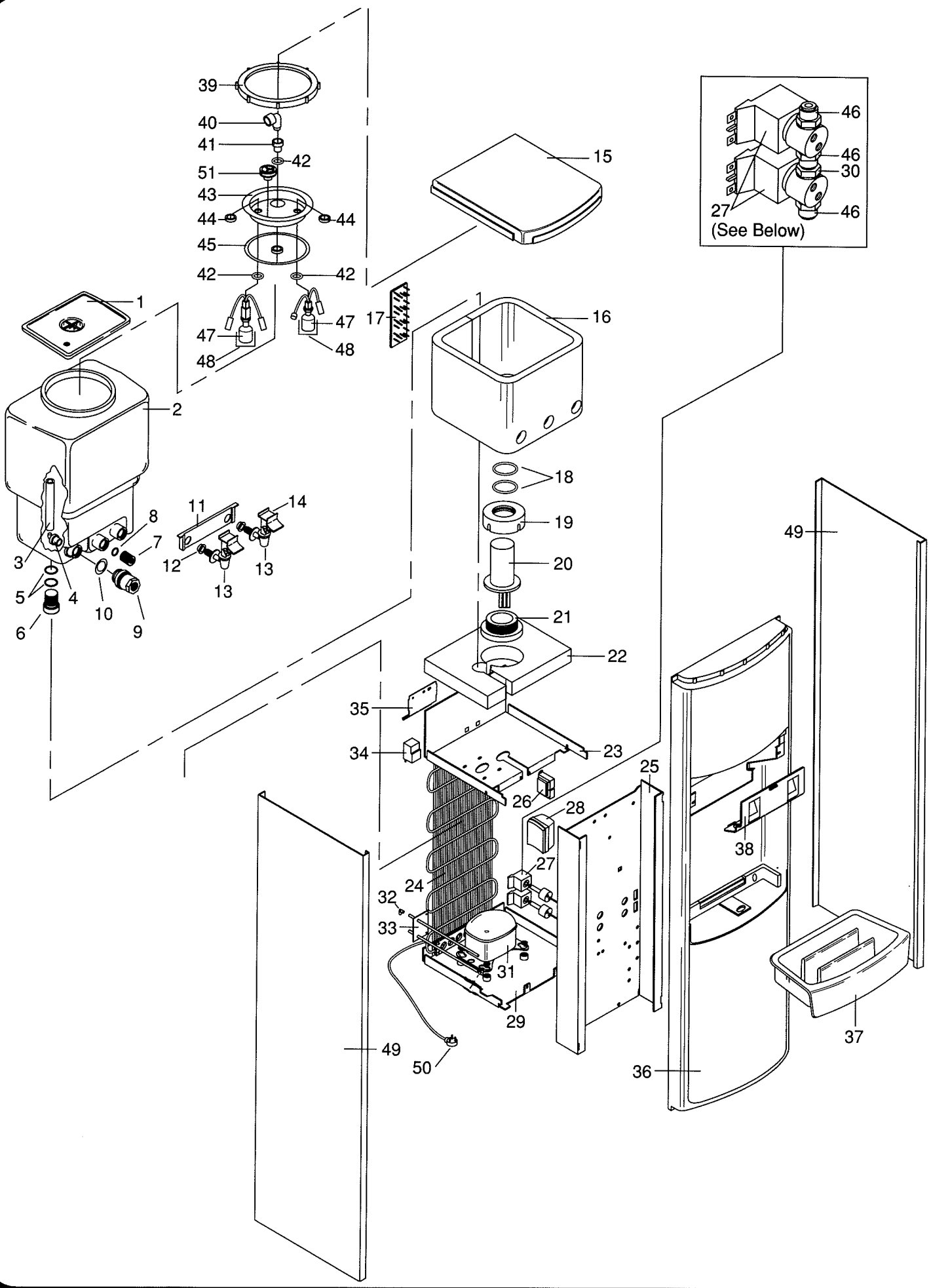
Voltage	115 VAC $\pm$ 10% / 1 PH/60 Hz
Size	43-1/4"H., 12-1/4" W., 14-1/2"D.
Shipping Weight (Approx.)	51 lbs.
Compressor	1/20 HP
Compressor (Full Load)	1.1 Amps
Refrigerant	R-12
Refrigerant Charge	1-1/4 oz. (35 grams)
Cold Water Capacity*	.8 GPH

## POU1LMKY-D SPECIFICATIONS

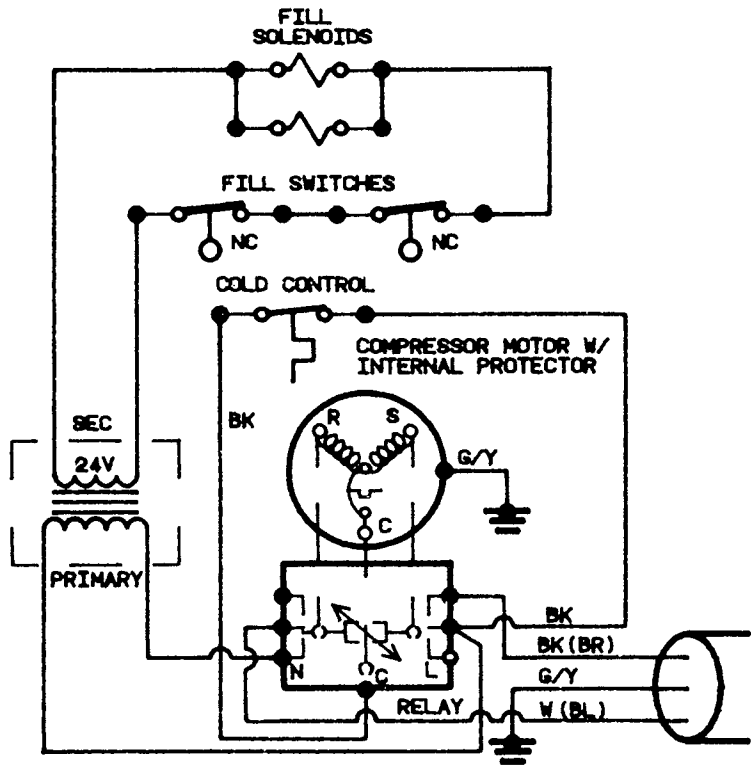
Voltage	220-240 Volt 50/60 Hz
Size	43-1/4"H., 12-1/4" W., 14-1/2"D.
Shipping Weight (Approx.)	56 lbs.
Compressor	1/20 HP
Compressor (Full Load)	.6 Amp
Refrigerant	R-12
Refrigerant Charge	1-1/4 oz. (35 grams)

\* Ratings: Room Temperature 90°F; Supply Water Temperature 90°F; Drinking Water Temperature 50°F.

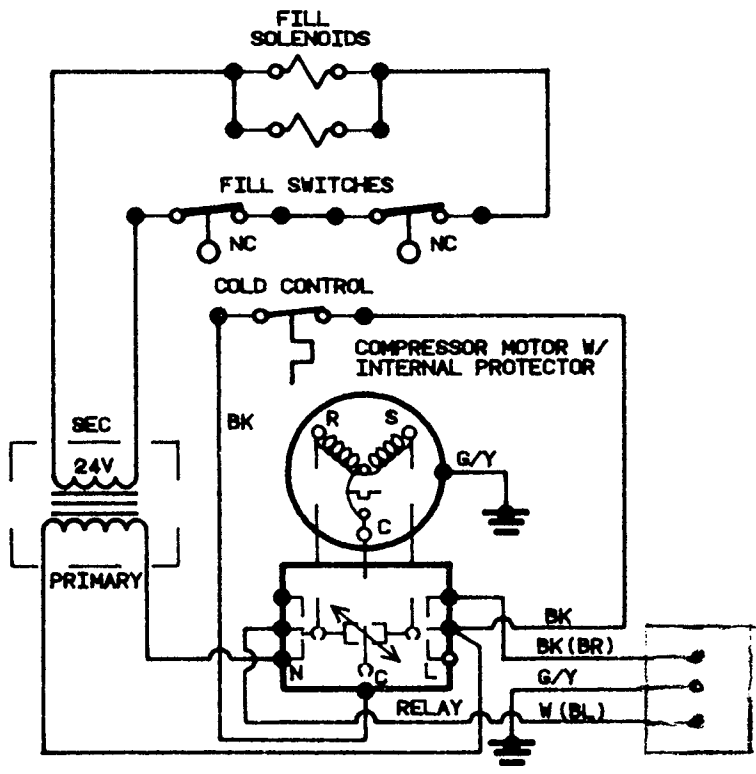
Specifications subject to change without notice.



ITEM NO.	DESCRIPTION	POU1LMK-D	POU1LMKY-D
1	Baffle.....	030595-001	030595-001
2	Reservoir.....	030866-004	030866-004
3	Cook Tube.....	030689-003	030689-003
4	Cook Tube Fitting.....	030587-002	030587-002
5	O-Ring.....	030858-300	030858-300
6	Hot Tank Fitting Plug.....	030582-001	030582-001
7	Cook Faucet Plug.....	030511-001	030511-001
8	Cook Faucet Plug O-Ring.....	030858-206	030858-206
9	Cook Faucet Extension FTG.....	030510-002	030510-002
10	O-Ring.....	030858-306	030858-306
11	Faucet Spacer.....	031228-001	031228-001
12	Faucet Gasket.....	030405-001	030405-001
13	Faucet & Lever Assy.....	030499-007	030499-007
14	Faucet Lever.....	031022-001	031022-001
15	Top.....	031072-001	031072-001
16	Reservoir Insulation.....	031233-001	031233-001
17	Insulation Fastener.....	031234-001	031234-001
18	O-Ring.....	030858-403	030858-403
19	Probe Retainer Cap.....	030399-001	030399-001
20	Probe & Heat Exchanger Assy.....	030589-004	030589-004
21	Probe Retainer Collar.....	030398-001	030398-001
22	Shelf Insulation.....	031233-002	031233-002
23	Shelf.....	029953-002	029953-002
24	Condenser.....	028357-001	028357-001
25	Column Support.....	031048-001	031048-001
26	Transformer.....	030074-012	030074-015
27	Solenoid Valve.....	031218-001	031218-001
28	Relay.....	026867	026309
29	Base.....	020513-002	020513-002
30	FTG, JG Stem Adaptor.....	028687-001	028687-001
31	Compressor Assy. (Includes #28).....	026868-001	026883-001
32	J.G. Union Elbow 1/4".....	028481-001	028481-001
33	Tube & Plate Assy.....	031486-001	031486-001
34	Cold Thermostat.....	027040-020	027040-020
35	Handle.....	029562-001	029562-001
36	Front Panel.....	031075-001	031075-001
37	Drip Tray.....	030864-002	030864-002
38	Valve Cover.....	030862-004	030862-004
39	Reservoir Cap Ring.....	031079-001	031079-001
40	FTG, JG Elbow.....	029994-002	029994-002
41	FTG, JG Connector.....	028483-001	028483-001
42	Gasket.....	028706-005	028706-005
43	Cap, Reservoir.....	030699-001	030699-001
44	Locknut.....	030056-001	030056-001
45	Gasket.....	031025-001	031025-001
46	FTG, JG Male Connector.....	028483-001	028483-001
47	Float Assy. (Includes #48).....	029999-004	029999-004
48	Slosh Guard Assy.....	030650-001	030650-001
49	Side Panel.....	031047-001	031047-001
50	Service Cord Assy/Power Inlet.....	026540-003	030325-001
51	Filter.....	030957-001	030957-001



POU1LMK-D



POU1LMKY-D