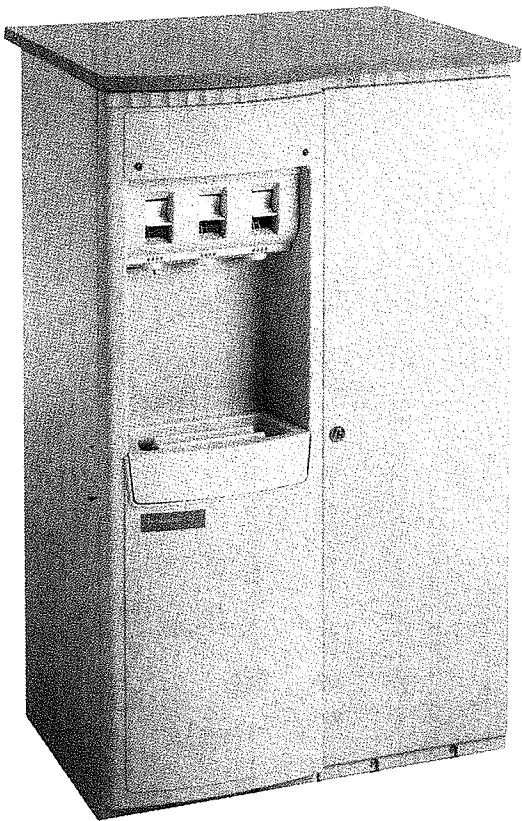


Breakstation™

ILLUSTRATED PARTS BREAKDOWN

WATER COOLER MODELS: P1JBK-D P1JBHK-D



SPECIFICATIONS

MODEL: P1JBK

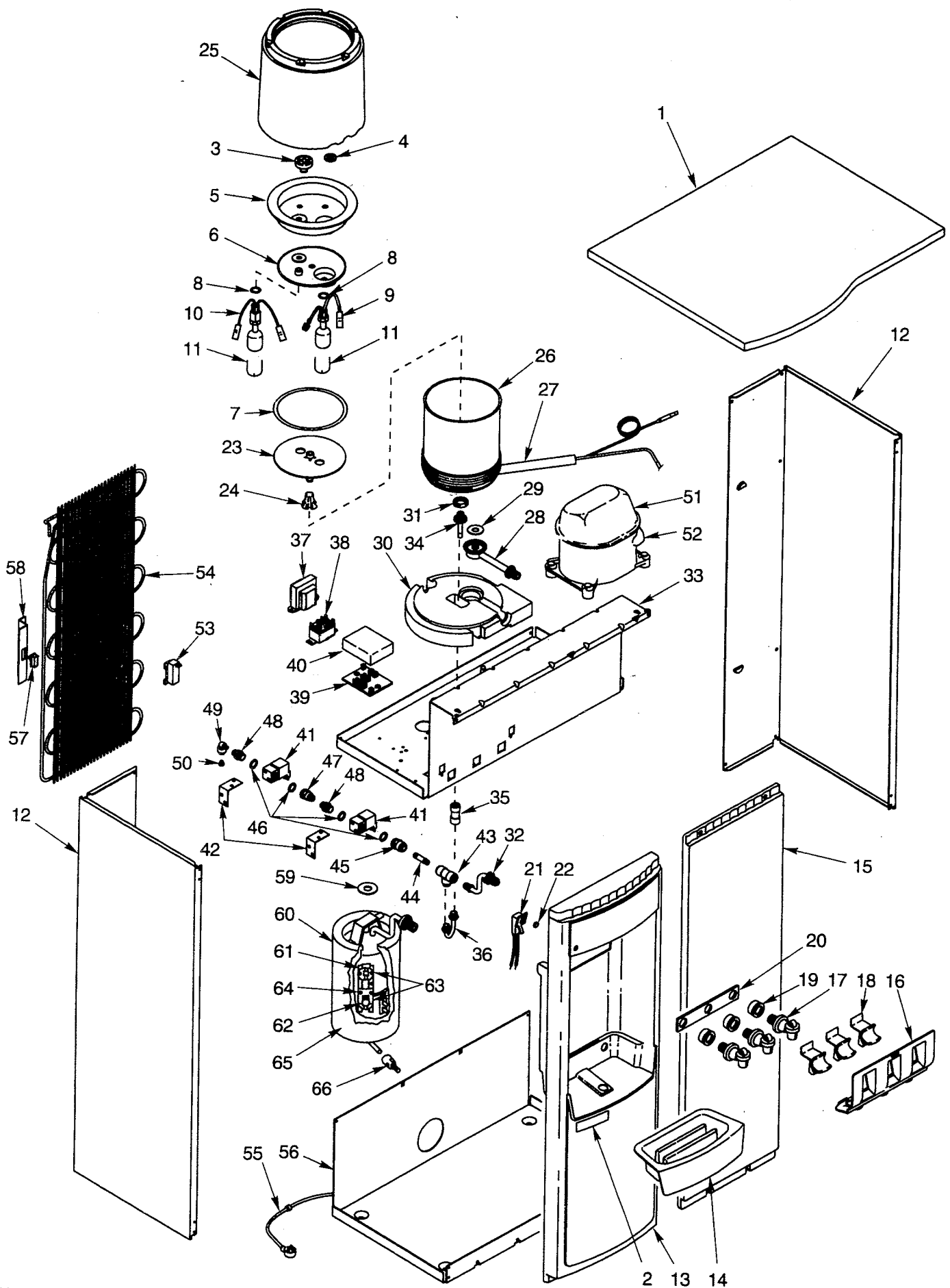
Voltage	115 VAC \pm 10%/1 PH/60 Hertz
Size	38-5/8"H, 23-1/4"W., 19"D.
Shipping Weight (Approx)	80 LBS.
Cold Water Capacity*	.8 GPH
Compressor	1/20 HP
Compressor (Full Load)	1.2 Amps
Refrigerant	R-12
Refrigerant Charge	1-1/4oz. (35 grams)

MODEL: P1JBHK

Voltage	115 VAC \pm 10%/1 PH/60 Hertz
Size	38-5/8"H, 23-1/4"W., 19"D.
Shipping Weight (Approx)	85 LBS.
Cold Water Capacity*	.8 GPH
Compressor	1/20 HP
Compressor (Full Load)	5.5 Amps
Refrigerant	R-12
Refrigerant Charge	1-1/4oz. (35 grams)

* Ratings: Room Temperature 90°F; Supply Water Temperature 80°F; Drinking Water Temperature 50°F.

Specifications subject to change without notice.

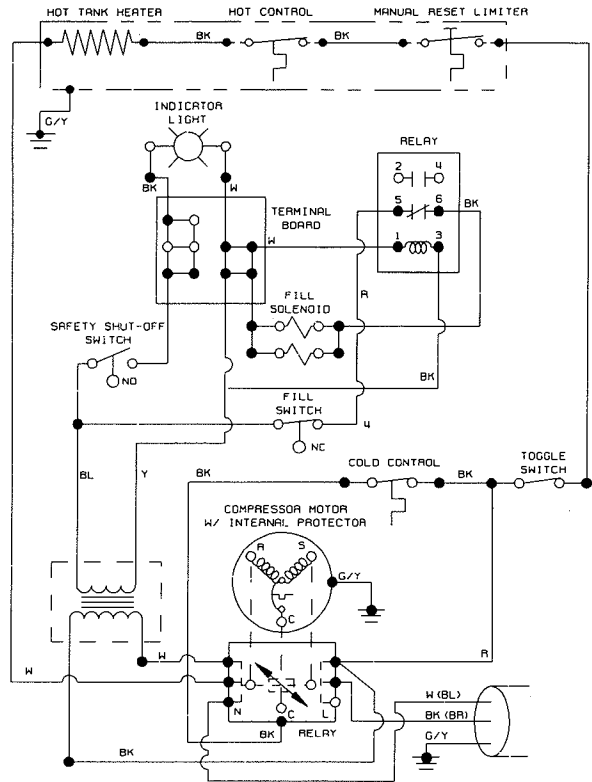


PARTS LIST

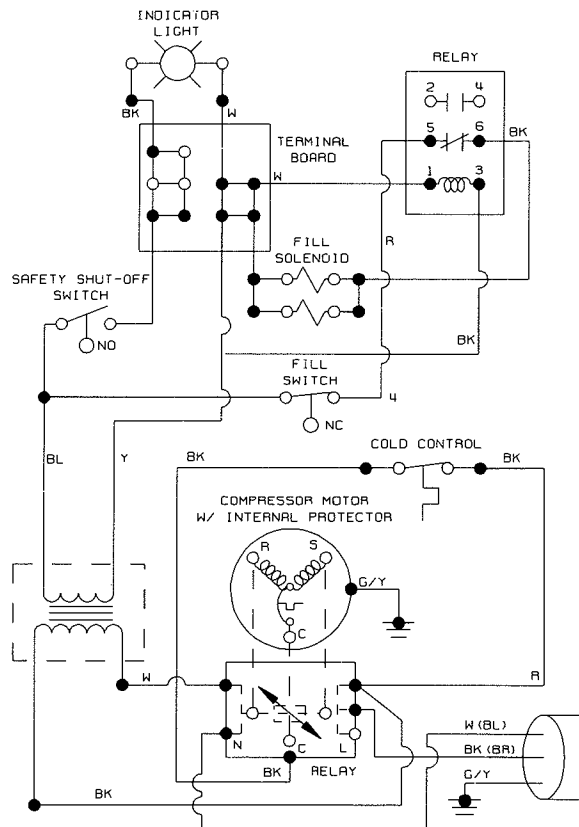
ITEM NO.	DESCRIPTION	MODEL (QTY)	
		P1JBK-D	P1JBHK-D
1	Top Assembly	031162-002	031162-002
2	Insert, Breakstation	031206-001	031206-001
3	Air Filter	030957-001	030957-001
4	Locknut	030056-001	030056-001
5	Reservoir Float Cap	030699-001	030699-001
6	Ring Seal	031214-001	031214-001
7	Gasket, Seal Ring	030956-002	030956-002
8	Washer/Spacer/Gasket	028706-005	028706-005
9	Fill Float Assembly (Includes Item 11)	029998-006	029998-006
10	Safety Float Assembly (Includes Item 11)	029999-006	029999-006
11	Slosh Guard	030650-001	030650-001
12	Side Panel	030928-002	030928-002
13	Front Panel	031074-001	031074-001
14	Drip Tray	030864-001	030864-001
15	Filler Panel	031071-001	031071-001
16	Lever Cover	030862-002	030862-001
17	Faucet Assembly (Includes Item 18)	025386-010	025386-010
18	Valve Lever	031022-001	031022-001
19	Faucet Gasket	025568-003	025568-003
20	Faucet Spacer	031165-001	031165-001
21	Indicator Light	030351-001	030351-001
22	Lens, Indicator Light	030428-001	030428-001
23	Baffle	024398	024398
24	Cooling Tank Fitting	020485	020485
25	Insulation, Cooling Tank	027891-001	027891-001
26	Cooling Tank (W/Heat Exchanger)	027981-005	027981-005
27	Heat Exchanger	030926-004	030926-004
28	Water Outlet Tube	020484-002	020484-002
29	Gasket, Water Outlet Tube	027139	027139
30	Insulation, Shelf	031073-001	031073-001
31	Gasket, Hot Tank Fitting	027965-001	027965-001
32	Cook Tube Assembly	031224-001	031224-001
33	Shelf	030826-002	030826-002
34	Tank Fitting Assembly	031159-001	031159-001
35	Fitting, JG Union Connector	030440-001	028534-001
36	Tube, Tee To Reservoir	031061-001	031061-002
37	Transformer Assembly	030074-011	030074-011
38	Relay	030315-002	030315-002
39	Terminal Base	023265	023265
40	Cover, Terminal Base	019793	019793
41	Solenoid Valve	031218-001	031218-001
42	Bracket, Solenoid	031227-001	031227-001
43	Fitting, Union Tee	028534-001	028534-001
44	Straight Tube	028627-008	028627-008
45	Connector Fitting	028533-001	028533-001
46	Spacer (3)	028706-012	028706-012
47	Stem Adapter Fitting	028687-001	028687-001
48	Male Connector Fitting	028483-001	028483-001
49	Elbow Fitting	029994-003	029994-003
50	Plug, 1/4 O.D.	030569-001	030569-001
51	Compressor Assembly	026868-001	026868-001
52	Relay, Compressor	026867	026867
53	Cold Control	027040-022	027040-022
54	Condenser	028357-001	028357-001
55	Power Supply Cord	026540-030	026540-030
56	Base	030827-002	030827-002
57	Rocker Switch	—	029545-001
58	Mounting Plate, Rocker Switch	—	030163-003
59	Spacer, Hot Tank	—	025547
60	Hot Tank Assembly	—	031179-001
61	Hot Thermostat w/Clip	—	028603-002
62	Heat Limiter w/Clip	—	028604-002
63	Heat Limiter Retainer Clip	—	028666-001
64	Thermostat Mounting Clip	—	028422-001
65	Insulation, Hot Tank	—	030929-001
66	Fitting, 1/4 Jaco Plug	—	031303-002

ELECTRICAL DIAGRAMS

P1JBHK-D



P1JBK-D



Breakstation is a trademark of EBCO Manufacturing Company

EBCO® **MANUFACTURING COMPANY**

265 N. Hamilton Rd. • P.O. Box 13150 • Columbus, OH 43213-0150 • 614/861-1350 • Fax: 614/861-5017

Copyright 1993 EBCO Manufacturing Company