



AQUARIUS
®

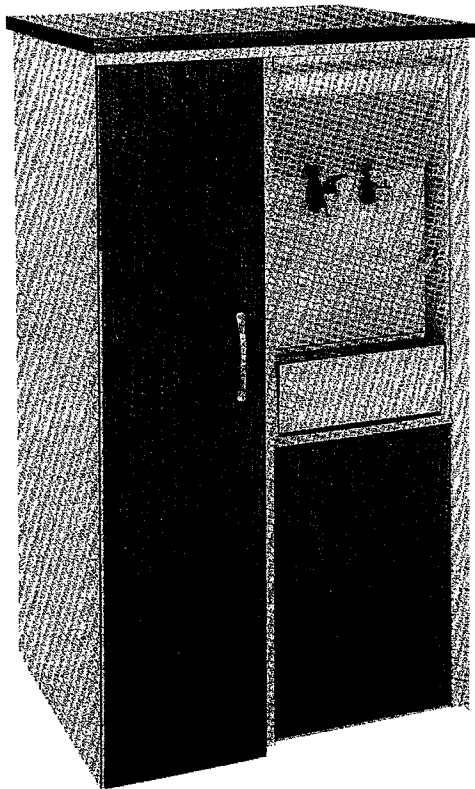
Kelvinator®

White-Westinghouse®

ILLUSTRATED PARTS BREAKDOWN

WATER COOLER MODELS:

ECS1HS-D	ECSF1HS-D	PLF1CHS-D	PEF1CSHS-P
ECS1HS-P	ECSF1HS-P	PLF1CHS-P	PEF1CSHS-D



SPECIFICATIONS

Models ECS1H-D and PLF1CH-D Series

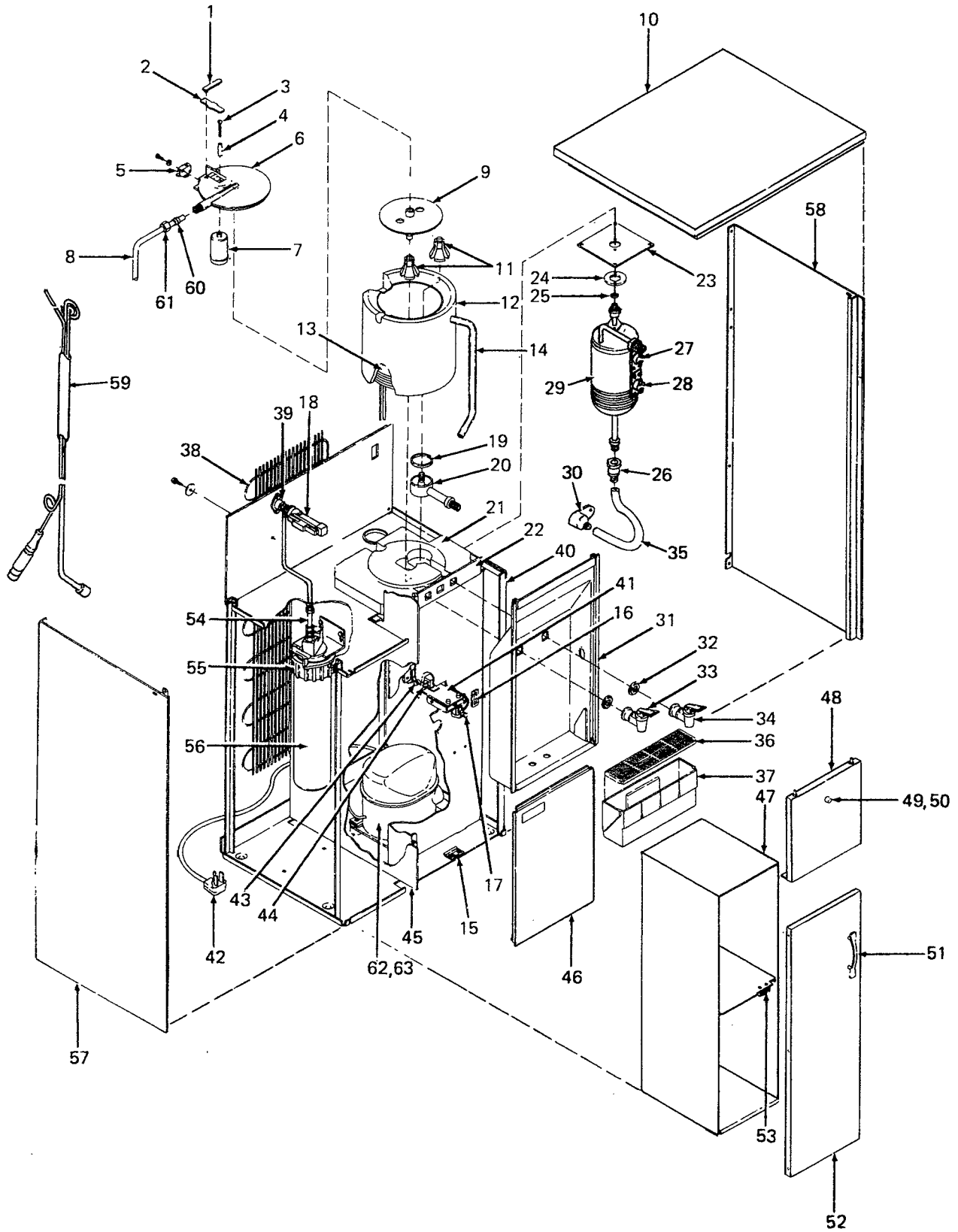
Voltage	115 VAC ±10%/1PH/60 Hertz
Size (Approx)	39" H., 21-1/2" W., 18" D.
Shipping Weight (Approx)	105 LBS.
Cold Water Capacity*	1 GPH
Cold Water Compressor Size	1/20 HP
Full Load Amps	5.6
Refrigerant	R-12
Refrigerant Charge	1-1/8 OZ.

Models ECS1H-P and PLF1CSH-P Series

Voltage	115 VAC ±10%/1PH/60 Hertz
Size (Approx)	39" H., 21-1/2" W., 18" D.
Shipping Weight (Approx)	105 LBS.
Cold Water Capacity*	1 GPH
Cold Water Compressor Size	1/20 HP
Full Load Amps	5.6
Refrigerant	R-12
Refrigerant Charge	1 OZ.

* Rating: Room Temperature 90°F; Supply Water Temperature 80°F; Drinking Water Temperature 50°F.

Specifications subject to change without notice.



PARTS LIST

ITEM NO.	DESCRIPTION	ECS1HS ECSF1HS	PLF1CSHS PEF1CSHS	ITEM NO.	DESCRIPTION	ECS1HS ECSF1HS	PLF1CSHS PEF1CSHS
1	Lever Retainer	025118	025118	39	Filter to Outlet Tube Assembly	027346-001	027346-001
2	Switch Operating Lever	025117	025117	40	Column Support	020507-001	020507-001
3	Brass Screw	026660-013	026660-013	41	Switch Lever and Bracket Assembly	027760-001	027760-001
4	Float Mounting Screw Sleeve	025874	025874	42	Service Cord	026540-003	026540-003
5	Overflow Shutoff Switch	024112	024112	43	Switch Roller	025879	025879
6	Cooling Tank Top	025116	025116	44	Receptor Overflow Switch	017699	017699
7	Float	025365	025365	45	Partition - Painted	025287-001	025287-001
8	Gooseneck Tube	026626-004	026626-004	46	Lower Front Panel	020474	020474
9	Baffle	024398	024398	47	Storage Shelf Assembly	025154	025154
10	Top Assembly	027230-001	027230-001	48	Storage Compartment Panel Assembly	025420	025420
11	Cooling Tank Fitting	020485	020485	49	Pilot Light	025455-001	025455-001
12	Cooling Tank Insulation	025423	025423	50	Pilot Light Lens	022501	022501
13	Cooling Tank Assembly	025493-005	029272-001	51	Handle	018721	018721
14	PVC Overflow Tube	025380	025380	52	Door Assembly	025403	025403
15	Lower Front Panel Clip	020498	020498	53	Magnetic Catch Assembly	015318	015318
16	Paddle Switch	020478	020478	54	Filter to Shelf Tube Assembly	028067-001	028067-001
17	Cold Control	027040-003	027040-003	55	Filter Head Assembly	023923	023923
18	Solenoid Valve	027342-001	027342-001	56	QC4-H Filter Cartridge	023863	023863
19	Water Outlet Tube Gasket	027139	027139	57	Left Side with Hinge Panel - Painted	025769-001	025769-001
20	Water Outlet Tube	020484	020484		Left Side Panel - Walnut	025286-003	025286-003
21	Shelf Insulation	025560	025560	58	Right Side Panel - Painted	025286-002	025286-002
22	Shelf	024763	024763		Right Side Panel - Walnut	025286-004	025286-004
23	Hot Tank Mounting Plate	025549	025549	59	Heat Exchanger	025495-002	030926-004
24	Hot Tank Spacer	025547	025547	60	Sleeve Connector	025781	025781
25	Top of Hot Tank Gasket	027965-001	027965-001	61	Compression Fitting Nut	025783	025783
26	Super Seal Fitting	029933-001	029933-001		NOT SHOWN		
27	Hot Control	028603-002	028603-002		Overflow Screen	025632	025632
28	Heat Limiter	028604-002	028604-002		Complete Top Assembly (Includes Items 1 thru 7)	025337	025337
29	Hot Tank Assembly	028618-001	028618-001		Flair Fitting Connector	020277	020277
30	Drain Valve	029935-001	029935-001		Hose Clamp - Stainless Steel	026516	026516
31	Upper Front Panel	020509-120	020509-120		Overflow Nozzle	026136	026136
32	Faucet Gasket	025568-004	025568-004		Terminal Base	023265	023265
33	Faucet - Red	025386-003	025386-003		Receptor Full Label	027180	027180
34	Faucet - Blue	025386-001	025386-001				
35	Extension Tube	029540-005	029540-005				
36	Splash Tray	020497	020497				
37	Receptor	020503-003	020503-003				
38	Short Condenser	028357-001	028357-001				

COMPRESSORS

USED ON MODELS ECS1H-D & PLF1CSH-D SERIES

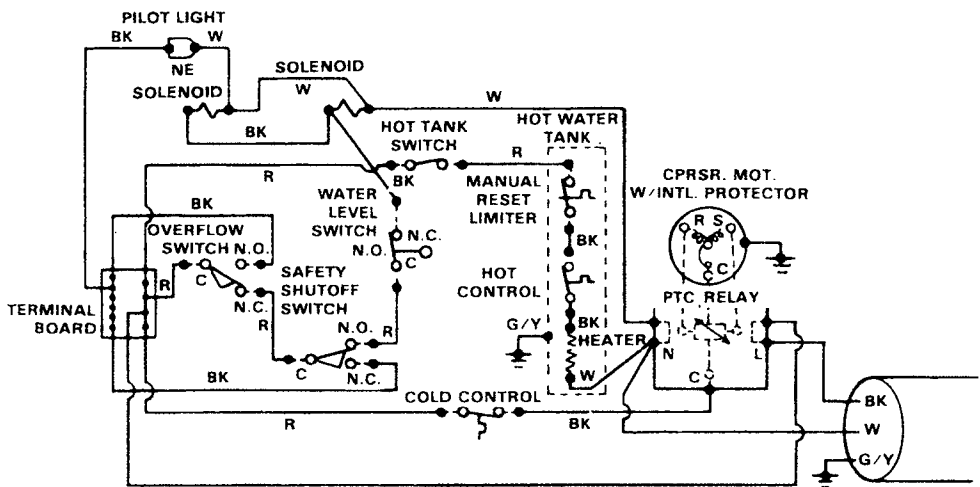
62	*Compressor	026868-001
63	Relay	026867

USED ON MODELS ECS1H-P & PLF1CSH-P SERIES

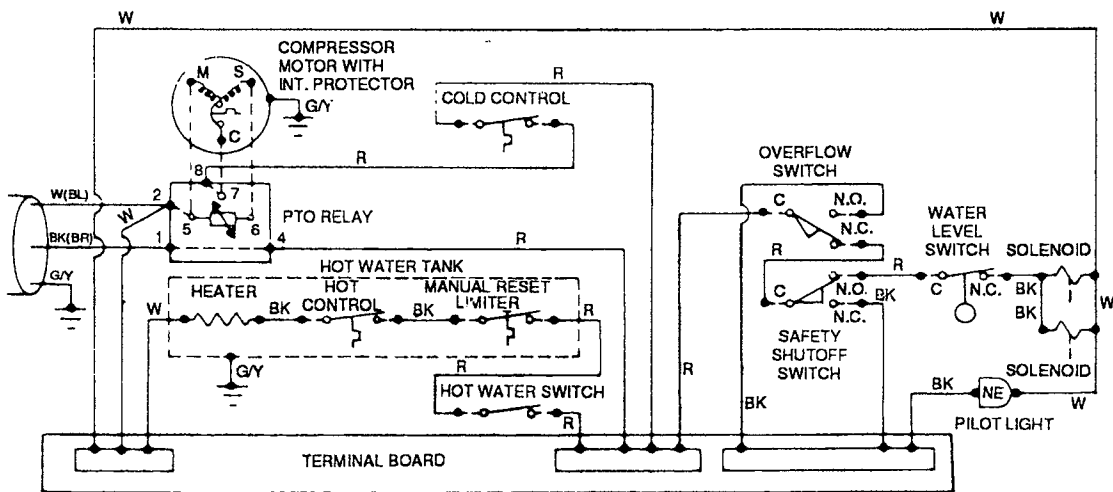
62	*Compressor	028570-001
63	Relay	027709-002

*NOTE: Compressors include relay and overload.

ELECTRICAL DIAGRAM



**ECS1HS-D AND PLF1CSH-D
SERIES**



**ECS1HS-P AND PLF1SH-P
SERIES**

OASIS® & AQUARIUS® are registered trademarks of EBCO Manufacturing Company
The trademarks Kelvinator® and White-Westinghouse® are used under license from White Consolidated Industries, Inc.

EBCO® MANUFACTURING COMPANY

265 N. Hamilton Rd. • P.O. Box 13150 • Columbus, OH 43213-0150 • 614/861-1350 • Fax: 614/861-5017

Copyright 1993 EBCO Manufacturing Co.