



AQUARIUS

Kelvinator[®]

White-Westinghouse[®]

ILLUSTRATED PARTS BREAKDOWN

WATER COOLER MODELS:

ECS1H-002D

ECSF1H-002D

PEF1CSH-D

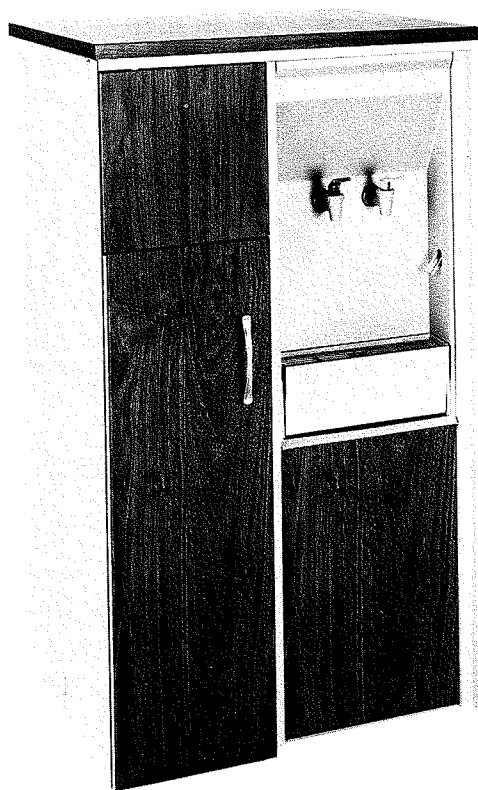
PEF1CSK-D

ECS1K-002D

ECSF1K-002D

PLF1CSH

PLF1CSK



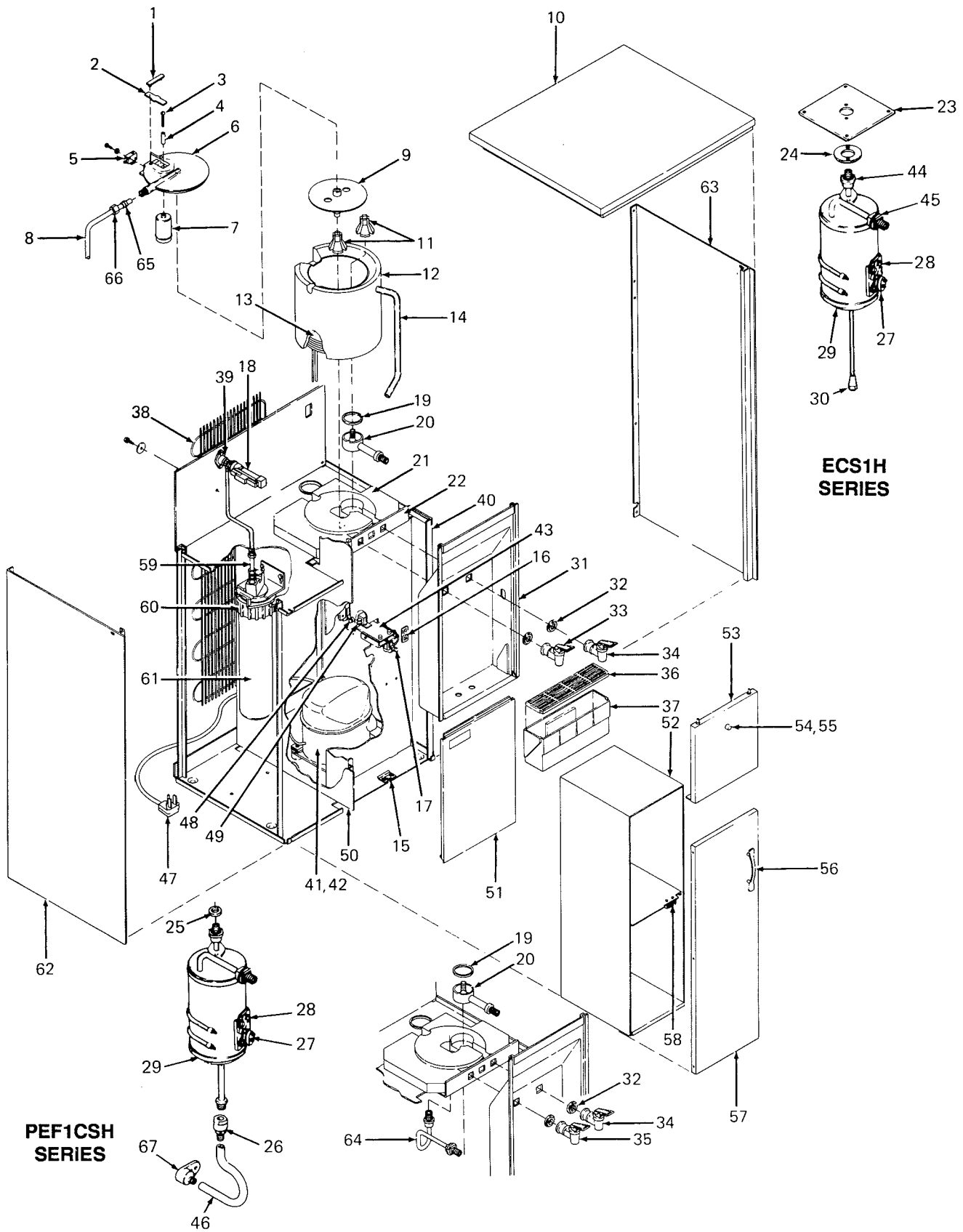
SPECIFICATIONS

Voltage	115 VAC ±10%/1PH/60 Hertz
Size (Approx)	39" H., 21-1/2" W., 18" D.
Shipping Weight (Approx)	105 LBS.
Cold Water Capacity*	1 GPH
Cold Water Compressor Size	1/20 HP
Full Load Amps	PLF1CSH, ECS1H, 5.6
Refrigerant	R-12
Refrigerant Charge	1-1/8 OZ. (32 GRAMS)

Voltage	115 VAC ±10%/1PH/60 Hertz
Size (Approx)	39" H., 21-1/2" W., 18" D.
Shipping Weight (Approx)	105 LBS.
Cold Water Capacity*	1 GPH
Cold Water Compressor Size	1/20 HP
Full Load Amps	PLF1CSK, ECS1K, 1.3
Refrigerant	R-12
Refrigerant Charge	1-1/8 OZ. (32 GRAMS)

* Rating: Room Temperature 90°F; Supply Water Temperature 80°F; Drinking Water Temperature 50°F.

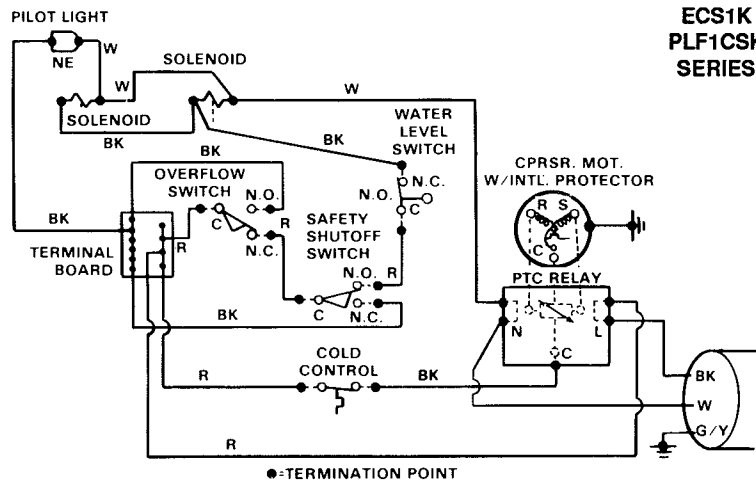
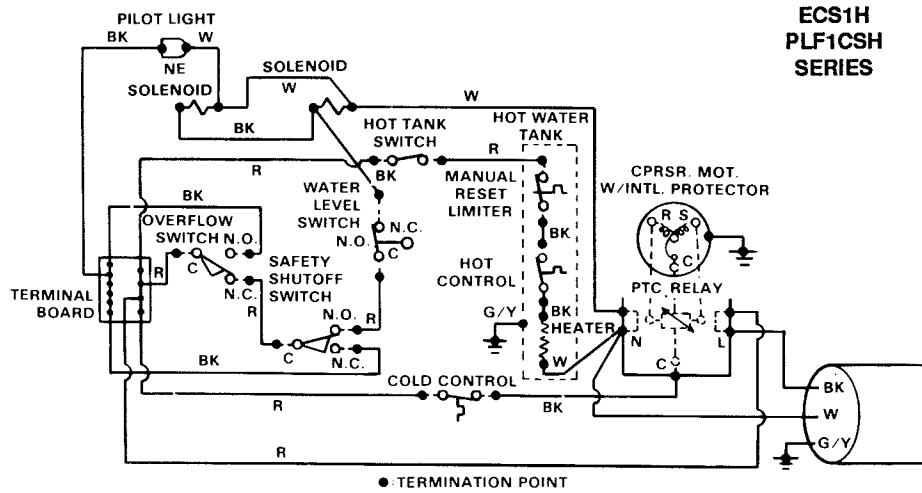
Specifications subject to change without notice.



PARTS LIST

ITEM NO.	DESCRIPTION	ECS1H ECSF1H	ECS1K ECSF1K	PEF1CSH PLF1CSH	PEF1CSK PLF1CSK
1	Lever Retainer	025118	025118	025118	025118
2	Switch Operating Lever	025117	025117	025117	025117
3	Brass Screw	026660-013	026660-013	026660-013	026660-013
4	Float Mounting Screw Sleeve	025874	025874	025874	025874
5	Overflow Shutoff Switch	024112	024112	024112	024112
6	Cooling Tank Top	025116	025116	025116	025116
7	Float	025365	025365	025365	025365
8	Gooseneck Tube	026626-004	026626-004	026626-004	026626-004
9	Baffle	024398	025430	024398	025430
10	Top Assembly	027230-001	027230-001	027230-001	027230-001
11	Cooling Tank Fitting	020485	020485	020485	020485
12	Cooling Tank Insulation	025423	025423	025423	025423
13	Cooling Tank Assembly	025493-005	025493-005	029272-001	029272-001
14	PVC Overflow Tube	025380	025380	025380	025380
15	Lower Front Panel Clip	020498	020498	020498	020498
16	Paddle Switch	020478	—	020478	—
17	Cold Control	027040-003	027040-003	027040-003	027040-003
18	Solenoid Valve	027342-001	027342-001	027342-001	027342-001
19	Water Outlet Tube Gasket	027139	027139	027139	027139
20	Water Outlet Tube	020484	020484	020484-002	020484-002
21	Shelf Insulation	025560	025560	025560	025560
22	Shelf	024763	024763	024763	024763
23	Hot Tank Mounting Plate	025549	—	025549	—
24	Hot Tank Spacer	025547	—	025547	—
25	Top of Hot Tank Gasket	027965-001	—	027965-001	—
26	Super Seal Fitting	—	—	029933-001	—
27	Hot Control	028603-001	—	028603-001	—
28	Heat Limiter	028604-001	—	028604-001	—
29	Hot Tank Assembly	028887-003	—	027773-001	—
30	Drain Plug	028645-001	—	—	—
31	Upper Front Panel	020509-120	020509-120	020509-120	020509-120
32	Faucet Gasket	025568-994	025568-004	025568-004	025568-004
33	Faucet—Red	025386-003	—	025386-003	—
34	Faucet—Blue	025386-001	025386-001	025386-001	025386-001
35	Faucet—Tan	—	025386-002	—	025386-002
36	Splash Tray	020497	020497	020497	020497
37	Receptor	020503-003	020503-003	020503-003	020503-003
38	Short Condenser	028357-001	028357-001	028357-001	028357-001
39	Filter to Outlet Tube Assembly	027346-001	027346-001	027346-001	027346-001
40	Column Support	020507-001	020507-001	020507-001	020507-001
41	Relay	026867	026867	026867	026867
42	Compressor (Includes Item 41)	026868-001	026868-001	026868-001	026868-001
43	Switch Lever and Bracket Assembly	027760-001	027760-001	027760-001	027760-001
44	Hot Tank Inlet Fitting	028674-001	—	—	028674-002
45	Faucet Adaptor Fitting	028673-002	—	—	028673-004
46	Extension Tube	—	—	029540-005	—
47	Service Cord	026540-003	026540-003	026540-003	026540-003
48	Switch Roller	025879	025879	025879	025879
49	Receptor Overflow Switch	017699	017699	017699	017699
50	Partition—Painted	025287-001	025287-001	025287-001	025287-001
51	Lower Front Panel	020474	020474	020474	020474
52	Storage Shelf Assembly	025154	025154	025154	025154
53	Storage Compartment Panel Assembly	025420	025420	025420	025420
54	Pilot Light	025455-001	025455-001	025455-001	025455-001
55	Pilot Light Lens	022501	022501	022501	022501
56	Handle	018721	018721	018721	018721
57	Door Assembly	025403	025403	025403	025403
58	Magnetic Catch Assembly	015318	015318	015318	015318
59	Filter to Shelf Tube Assembly	028067-001	028067-001	028067-001	028067-001
60	Filter Head Assembly	023923	023923	023923	023923
61	QC4-H Filter Cartridge	023863	023863	023863	023863
62	Left Side with Hinge Panel—Painted	025769-001	025769-001	025769-001	025769-001
	Left Side Panel—Walnut	025286-003	025286-003	025286-003	025286-003
63	Right Side Panel—Painted	025286-002	025286-002	025286-002	025286-002
	Right Side Panel—Walnut	025286-004	025286-004	025286-004	025286-004
64	Cook Water Outlet Tube Assembly	—	028807-001	—	028807-002
65	Sleeve Connector	025781	025781	025781	025781
66	Compression Fitting Nut	025783	025783	025783	025783
67	Drain Valve	—	—	029935-001	—
NOT SHOWN	Overflow Screen	025632	025632	025632	025632
	Complete Top Assembly (Includes Items 1 thru 7)	025337	025337	025337	025337
	Flair Fitting Connector	020277	020277	020277	020277
	Hose Clamp—Stainless Steel	026516	026516	026516	026516
	Overflow Nozzle	026136	026136	026136	026136
	Terminal Base	023265	023265	023265	023265
	Receptor Full Label	027180	027180	027180	027180
	Heat Exchanger	025495-002	025495-002	030926-004	030926-004

ELECTRICAL DIAGRAM



OASIS® & AQUARIUS® are registered trademarks of EBCO Manufacturing Company
 The trademarks Kelvinator® and White-Westingshouse® are used under license from White Consolidated Industries, Inc.

EBCO® **MANUFACTURING COMPANY**

265 N. Hamilton Rd. • P.O. Box 13150 • Columbus, OH 43213-0150 • 614/861-1350 • Fax: 614/861-5017

PRINTED IN U.S.A.

Copyright 1993 EBCO Manufacturing Co.