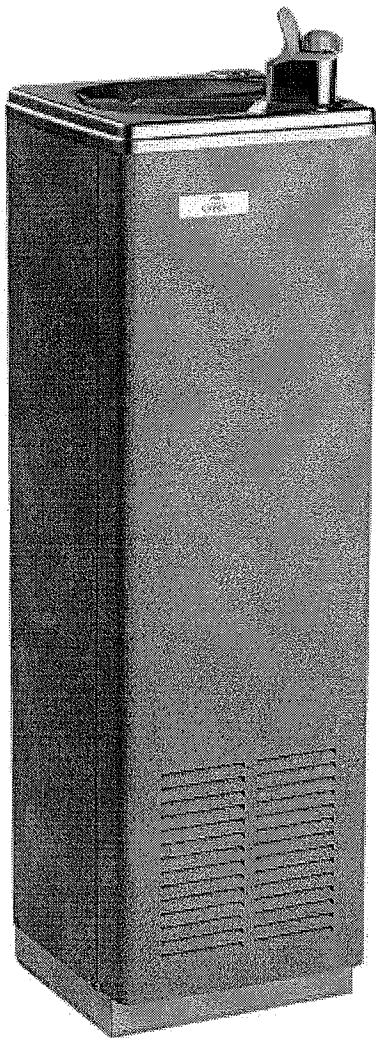




## Illustrated Parts Breakdown

Models: **P3CP-D300, P5CP-D300,  
P10CP-D300**



### SPECIFICATIONS:

#### Model P3CP-D300

Voltage	115VAC±10%/1 PH/60 Hertz
Size	40 1/4" H, 12"W, 12"D
Shipping Weight (Approx)	66 lbs.
Cold Water Capacity*	3 GPH
Compressor	1/5 hp
Compressor (Full Load)	3.3 amps
Refrigerant	134a
Refrigerant Charge	4.25 OZ

#### Model P5CP-D300

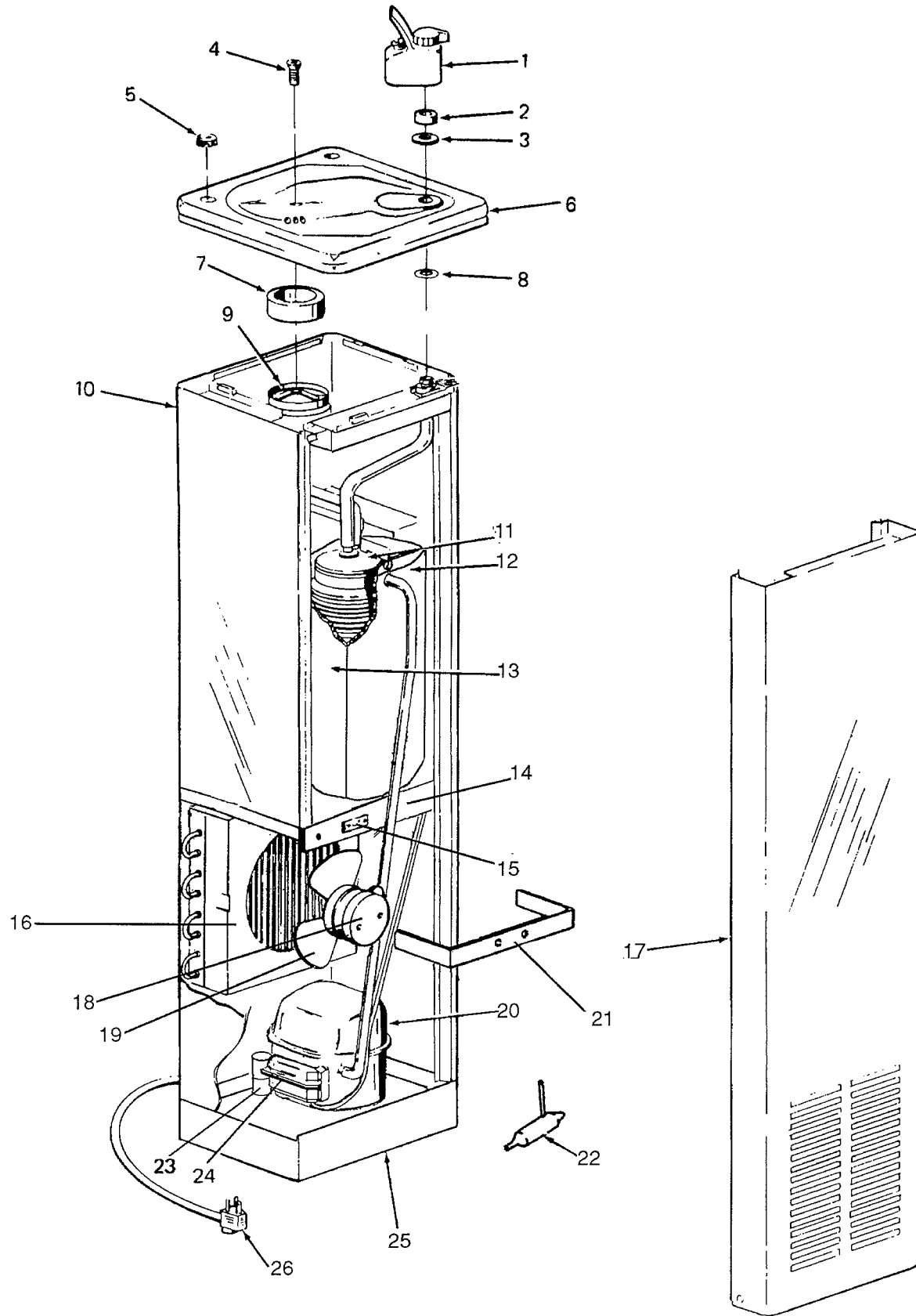
Voltage	115VAC±10%/1 PH/60 Hertz
Size	40 1/4" H, 12"W, 12"D
Shipping Weight (Approx)	69 lbs.
Cold Water Capacity*	5 GPH
Compressor	1/5 hp
Compressor (Full Load)	3.3 amps
Refrigerant	134a
Refrigerant Charge	4.25 OZ

#### Model P10CP-D300

Voltage	115VAC±10%/1 PH/60 Hertz
Size	40 1/4" H, 12"W, 12"D
Shipping Weight (Approx)	70 lbs.
Cold Water Capacity*	10 GPH
Compressor	1/3 hp
Compressor (Full Load)	5.2 amps
Refrigerant	134a
Refrigerant Charge	5.85 OZ

\*Ratings: Room Temperature 90°F; Supply Water Temperature 80°F; Drinking Water Temperature 50°F.

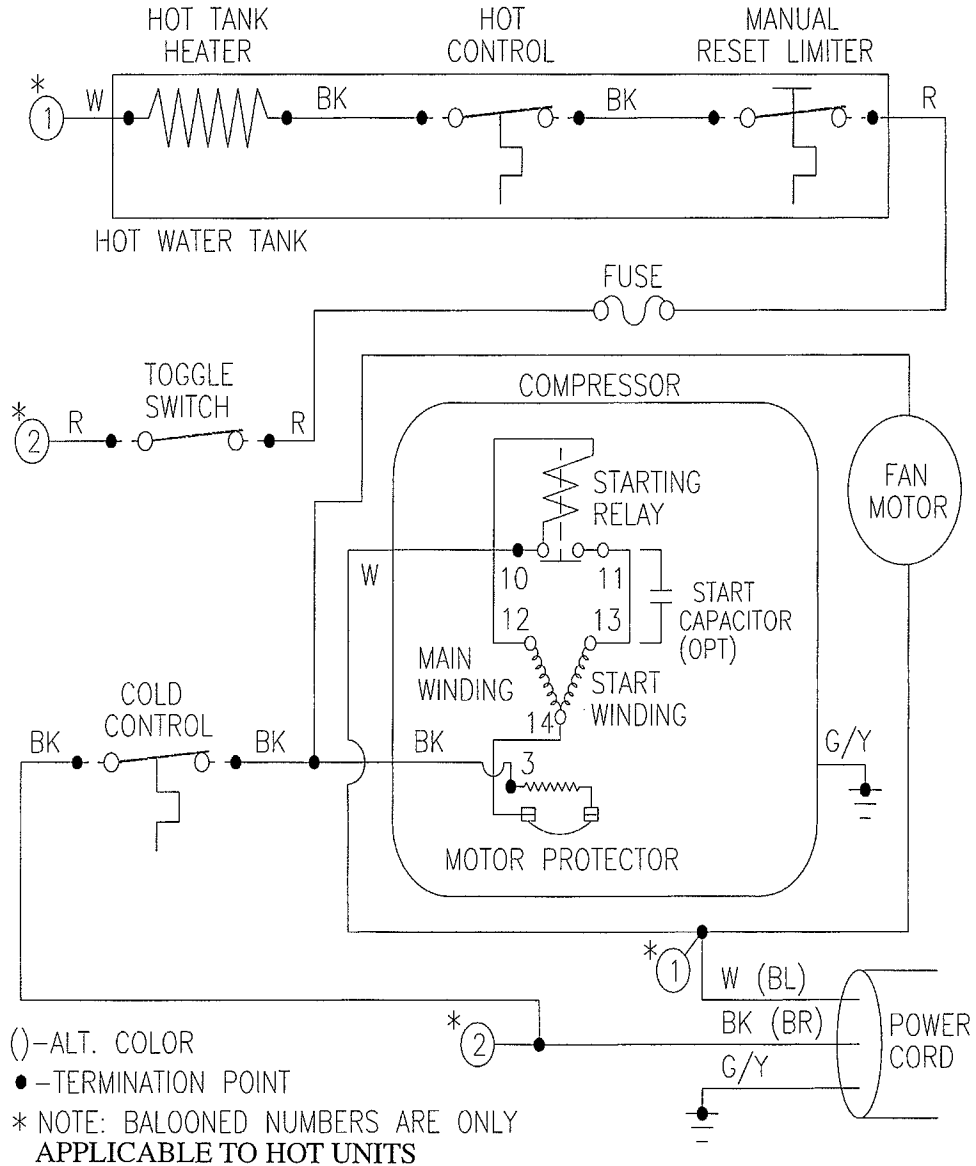
Specifications subject to change without notice.




## Parts List

Item#	Description	P3CP-D300	P5CP-D300	P10CP-D300
1	Bubbler Valve.....	030774-006	030774-006	030774-006
	Handle.....	013429	013429	013429
2	Gasket, Valve Body.....	028706-006	028706-006	028706-006
3	Friction Washer.....	028706-012	028706-012	028706-012
4	Screw, Drain.....	026655-002	026655-002	026655-002
5	Hole Cover.....	016994	016994	016994
6	Top.....	028464-101	028464-101	028464-101
7	Waste Gasket.....	019131	019131	019131
8	Gasket, Under Top.....	028706-001	028706-001	028706-001
9	Waste Assy, Insulated.....	024455-001	024455-001	024455-001
10	Cabinet, Sides and Rear, Sandstone.....	017527-006	017527-006	017527-006
	Cabinet, Sides and Rear, Stainless.....	017527-003	017527-003	017527-003
	Cabinet, Sides and Rear, Dove Gray.....	017527-007	017527-007	017527-007
11	Cooling Tank.....	033469-011	033469-011	033469-012
12	Insulation, Cooling Tank, RH.....	033431-001	033431-001	033431-001
13	Insulation, Cooling Tank, LH.....	033431-002	033431-002	033431-002
14	Shelf.....	019686-003	019686-003	019686-003
15	Cold Control.....	027040-039	027040-039	027040-039
16	Condenser.....	031836-002	031836-002	018252-002
17	Front Panel, Sandstone.....	017528-005	017528-005	017528-005
	Front Panel, Stainless.....	017528-002	017528-002	017528-002
	Front Panel, Dove Gray.....	017528-006	017528-006	017528-006
18	Fan Motor.....	027354-037	027354-037	027354-037
19	Fan Blade.....	022977	022977	022977
20	Compressor Assy (includes pt 24).....	032835-003	032835-003	033425-002
21	Fan Motor Bracket.....	017530	017530	017530
22	Refrigerant Drier.....	033380-003	033380-003	033380-003
23	Capacitor, Starting.....	027956-006	027956-006	027956-004
24	Overload/Relay Combination.....	032836-010	032836-010	032836-008
25	Base.....	033778-001	033778-001	033778-001
26	Service Cord.....	026540-046	026540-046	026540-046

## Wiring Diagram: P3CP-D300, P5CP-D300 & P10CP-D300



**OASIS Corporation**  
 265 N Hamilton Rd • PO Box 13150  
 Columbus OH 43213  
 614/861-1350 • 614/861-0231 Fax  
 www.oasiswatercoolers.com

OASIS® and  are registered trademarks of OASIS Corporation  
 ©2002 OASIS Corporation