



AQUARIUS

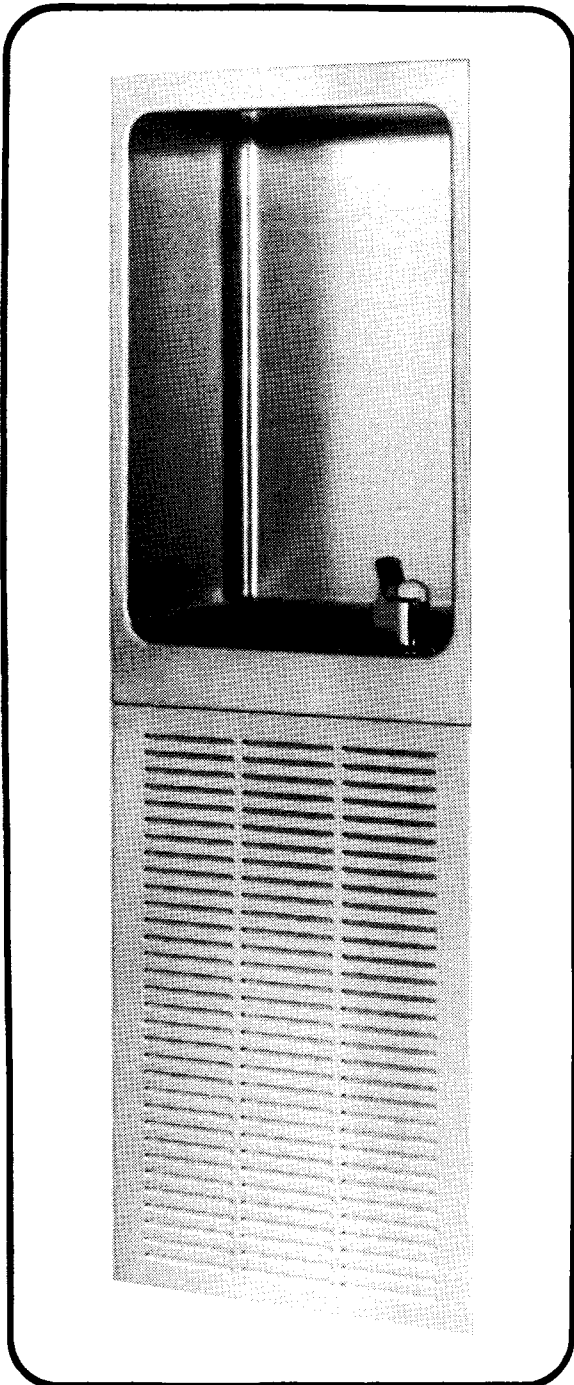
Kelvinator

White-Westinghouse®

ILLUSTRATED PARTS BREAKDOWN

WATER COOLER MODELS:

FP8F-001	PLF8F	PLF8F-001
FP12F-001	PLF12F	PLF12F-001
FP8F-0015	PLF8FX	PLF8FX-001



SPECIFICATIONS

Models FP8F and PLF8F

Voltage	115 VAC ±10%/1PH/60 Hertz
Size	55" H., 18" W., 11" D.
Shipping Weight (Approx)	92 LBS.
Cold Water Capacity	8 GPH
Compressor	1/5 HP
Compressor (Full Load)	5.0 Amps
Refrigerant	R-12
Refrigerant Charge	5 OZ.

Models FP12F and PLF12F

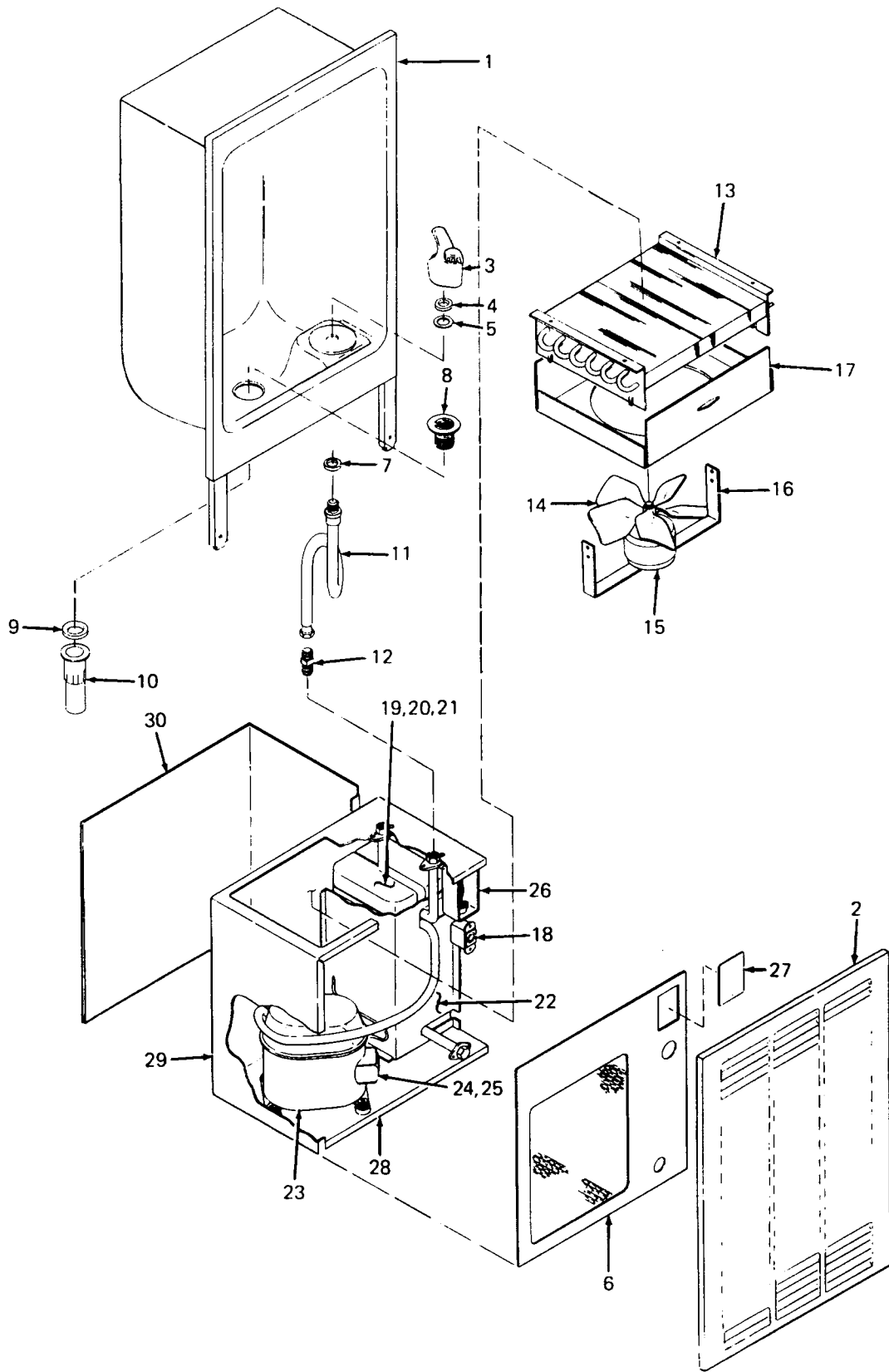
Voltage	115 VAC ±10%/1PH/60 Hertz
Size	55" H., 18" W., 11" D.
Shipping Weight (Approx)	96 LBS.
Cold Water Capacity	12 GPH
Compressor	1/3 HP
Compressor (Full Load)	8.3 Amps
Refrigerant	R-500
Refrigerant Charge	4-1/4 OZ.

Models FP8F-50 and PLF8FX

Voltage	220-240 VAC, 50 Hertz
Size	55" H., 18" W., 11" D.
Shipping Weight (Approx)	92 LBS.
Cold Water Capacity	8 GPH
Compressor	1/4 HP
Compressor (Full Load)	2.6 Amps
Refrigerant	R-12
Refrigerant Charge	5-3/4 OZ.

*A.R.I. Rating: Room Temperature 90°F; Supply Water Temperature 80°F; Drinking Water Temperature 50°F.

Specifications subject to change without notice.



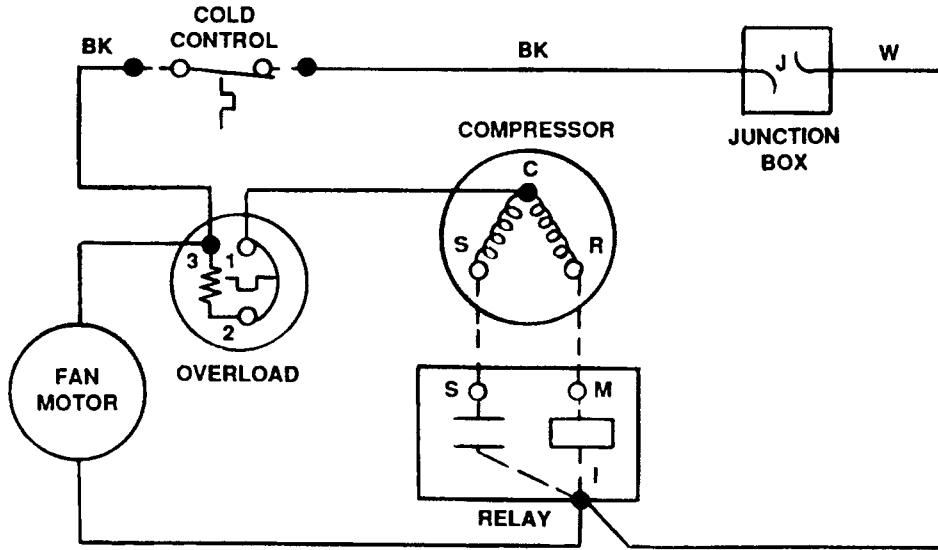
PARTS LIST

ITEM NO.	DESCRIPTION	FP8F-001 PLF8F	FP12F-001 PLF12F	FP8F-0015 PLF8FX
1	Top Assembly	028847-001	028847-001	028847-001
2	Grille	027719-001	027719-001	027719-001
3	12000 Bubbler Valve	023570	0235702	023570
	12000A Bubbler Valve (PLF-001 Series)	030774-002	030774-002	030774-002
4	Valve Body Gasket	008983	008983	008983
5	Friction Washer	009281	009281	009281
6	Front Panel Assembly	025619	025619	025619
7	Gasket (Under Top)	028706-001	028706-001	028706-001
8	Strainer Assembly	024207	024207	024207
9	Waste Gasket	011416	011416	011416
10	Waste Tail Piece	019915	019915	019915
11	Cooler to Bubbler Tube	029632-002	029632-002	029632-002
12	Male Flare Fitting Connector	007317-001	007317-001	007317-001
13	Condenser	025757	027896-001	025757
14	Fan Blade	024033	024033	024033
15	Fan Motor	027354-009	027354-017	027354-012
16	Fan Motor Bracket	017530	017530	017530
17	Fan Shroud	017821	017821	017821
18	Cold Control	027040-007	027040-007	027040-005
19	Cooling Tank Insulation, RH	028660-001	028660-001	028660-001
20	Cooling Tank Insulation, LH	028661-001	028661-001	028661-001
21	Insulated Cooling Tank Assembly	028816-001	028816-002	028816-001
22	Fire Barrier	025620	025620	025620
23	Compressor Assembly (Includes Items 24 and 25)	027256-002	027495-005	027495-015
24	Overload	017977	019603	022314
25	Relay	017978	019434	017289
26	Utility Box	020305-001	020305-001	020305-001
27	Utility Box Cover	023877	023877	023877
28	Base	028820-001	028820-001	028820-001
29	Top and Side Panel	025615	025615	025615
30	Rear and Side Panel	025616	025616	025616

NOT SHOWN

Shield	025734	025734	025734
Heat Exchanger	025612	027914-001	025612

ELECTRICAL DIAGRAM



OASIS® & AQUARIUS® are registered trademarks of EBCO Manufacturing Company
 The trademarks Kelvinator® and White-Westinghouse® are used under license from White Consolidated Industries, Inc.

EBCO® MANUFACTURING COMPANY

285 N. Hamilton Rd. • P.O. Box 13150 • Columbus, OH 43213-0150 • 614/861-1350 • Fax: 614/861-5017

Copyright 1993 EBCO Manufacturing Co.