



AQUARIUS

Kelvinator[®]

White-Westinghouse[®]

ILLUSTRATED PARTS BREAKDOWN

WATER COOLER MODELS:

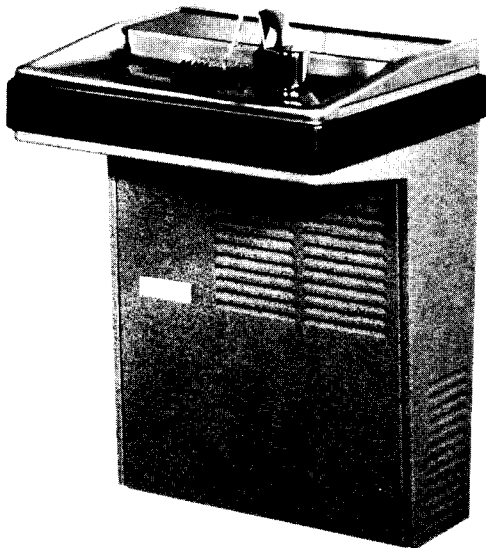
EP8WM-EE

PLF8WMEE

EP8WM-001EE

PLF8WMEE-001

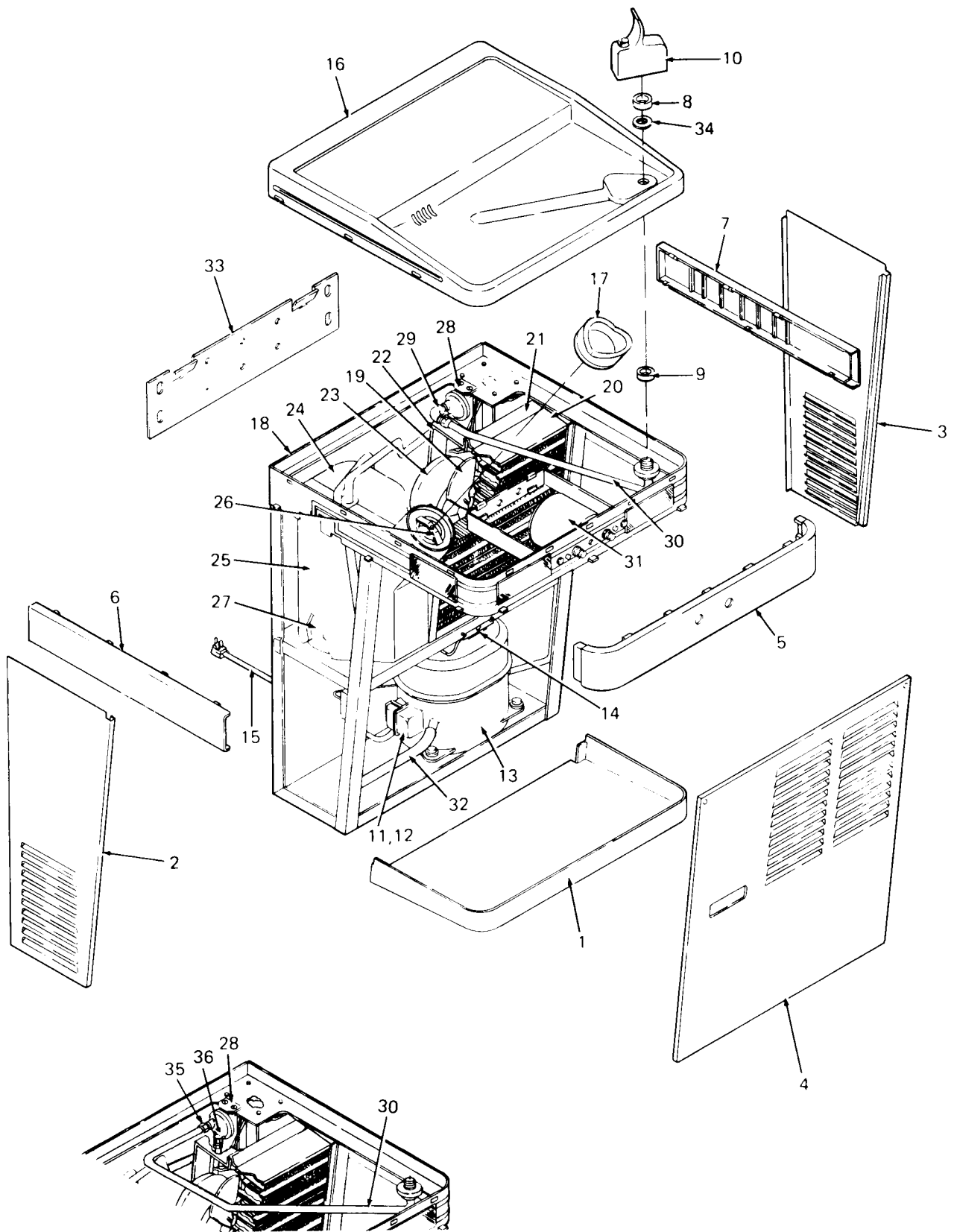
PLF8WMEE-002



SPECIFICATIONS

Voltage	115 VAC +10%/1PH/60 Hertz
Size	25" H., 18" W., 19" D.
Shipping Weight (Approx)	60 LBS.
Cold Water Capacity	7.8 GPH
Compressor	1/5 HP
Refrigerant	R-500
Refrigerant Charge	4 OZ.
Compressor (Full Load)	6 Amps

Specifications subject to change without notice.



* For Model PLF8WMEE-002

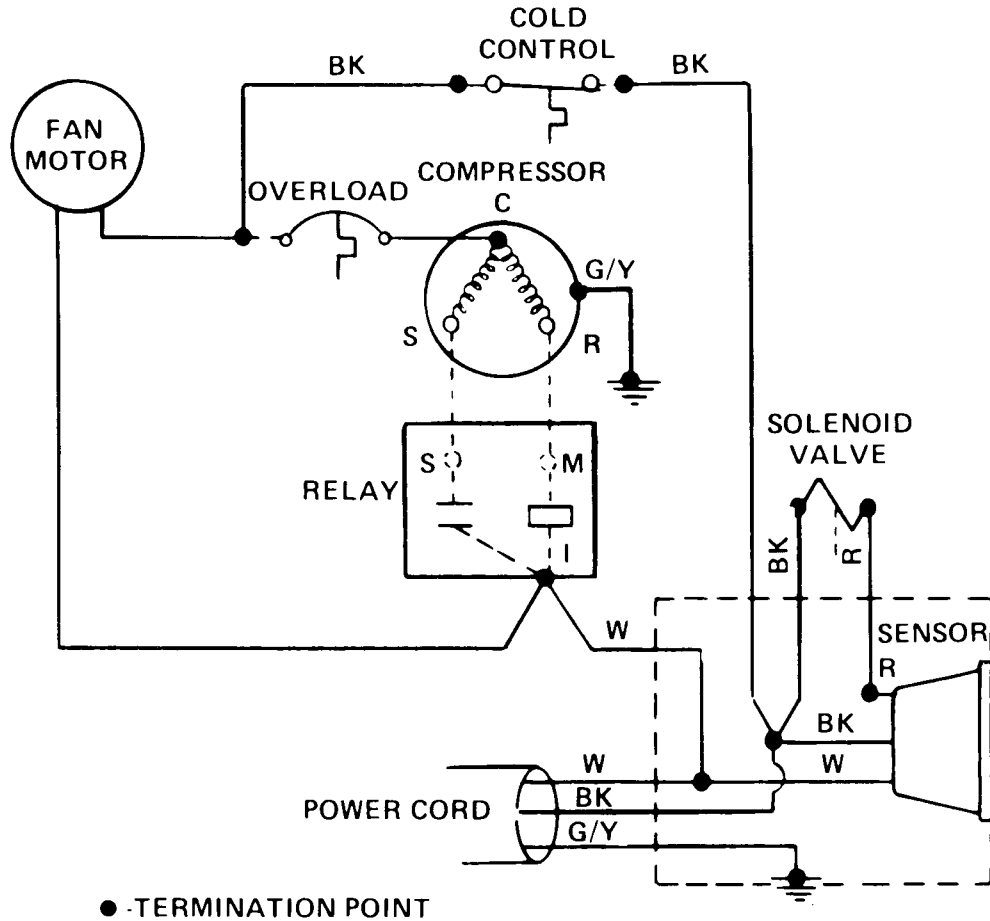
PARTS LIST

ITEM NO.	DESCRIPTION	EP8WM-EE	EP8WM-001EE PLF8WMEE	
			PLF8WMEE-001	PLF8WMEE-002
1	Front Housing – Sandstone	026780-002	026780-002	026780-002
	Front Housing – Stainless Steel	026780-004	026780-004	026780-004
	Front Housing – Tan	026780-005	026780-005	026780-005
2	Left Side Panel – Sandstone	026798-003	026798-003	026798-003
	Left Side Panel – Stainless Steel	026798-007	026798-007	026798-007
	Left Side Panel – Tan	026798-009	026798-009	026798-009
3	Right Side Panel – Sandstone	026798-004	026798-004	026798-004
	Right Side Panel – Stainless Steel	026798-008	026798-008	026798-008
	Right Side Panel – Tan	026798-010	026798-010	026798-010
4	Front Panel – Sandstone	026802-002	026802-002	026802-002
	Front Panel – Stainless Steel	026802-004	026802-004	026802-004
	Front Panel – Tan	026802-005	026802-005	026802-005
5	Front Bezel	026869-003	026869-003	026869-003
6	Left Side Bezel	026886-003 CLOSED	026886-003 CLOSED	026886-003 CLOSED
7	Right Side Bezel	026886-004 CLOSED	026886-004 CLOSED	026886-004 CLOSED
8	Valve Body Gasket	008983	008983	008983
9	Washer (Under Top)	010545	028706-001	028706-001
10	12000 Valve Assembly	026551-006	026551-006	---
	12000A Valve Assembly (PLF-001 Series) ...	---	030774-004	030774-004
11	Overload	017977	017977	017977
12	Relay	017978	017978	017978
13	Compressor	027256-002	027256-002	027256-002
14	Cold Control	027040-007	027040-007	027040-007
15	Service Cord	026540-026	026540-026	026540-026
16	Top	026775-001	028835-001	028835-001
17	Waste Gasket	027205	027205	027205
18	Frame Assembly	026976-002	026976-002	026976-002
19	Fan Blade	024033	024033	024033
20	Condenser	026967	026967	026967
21	Fan Shroud	026968	026968	026968
22	Fan Motor Bracket	026969	026969	026969
23	Fan Motor Assembly	027354-009	027354-009	027354-009
24	Cooling Tank Insulation (RH)	026950	028660-001	028660-001
25	Cooling Tank Insulation (LH)	026951	028661-001	028661-001
26	Waste Assembly	026981	026981-001	026981-001
27	Cooling Tank Assembly (Insulated)	027085-001	028789-003	031045-001
28	Solenoid Valve	026985-001	026985-001	031011-001*
	Solenoid Valve (PLF and PLF-001 Series)	---	029819-001	---
29	Elbow Fitting	---	028787-001	---
30	Tube Assembly Sol to Bib	---	028783-001	031035-001*
31	Sensor	028282-001	028282-001	028282-001
32	Heat Exchanger	027264-001	028785-001	028785-001
33	Hanger	016698-002	016698-002	016698-002
34	Friction Washer	009281	009281	009281
35	Connector Fitting	---	---	023834-002*
36	Male Fitting w/Gasket – GHT X 1/4 NPT	---	---	031033-001*

NOT SHOWN

Male Fitting Gasket	---	---	028706-024*
---------------------------	-----	-----	-------------

ELECTRICAL DIAGRAM



OASIS® & AQUARIUS® are registered trademarks of EBCO Manufacturing Company
 The trademarks Kelvinator® and White-Westingshouse® are used under license from White Consolidated Industries, Inc.

EBCO® **MANUFACTURING COMPANY**

265 N. Hamilton Rd. • P.O. Box 13150 • Columbus, OH 43213-0150 • 614/861-1350 • FAX 614/861-5017

Copyright 1993 EBCO Manufacturing Co.