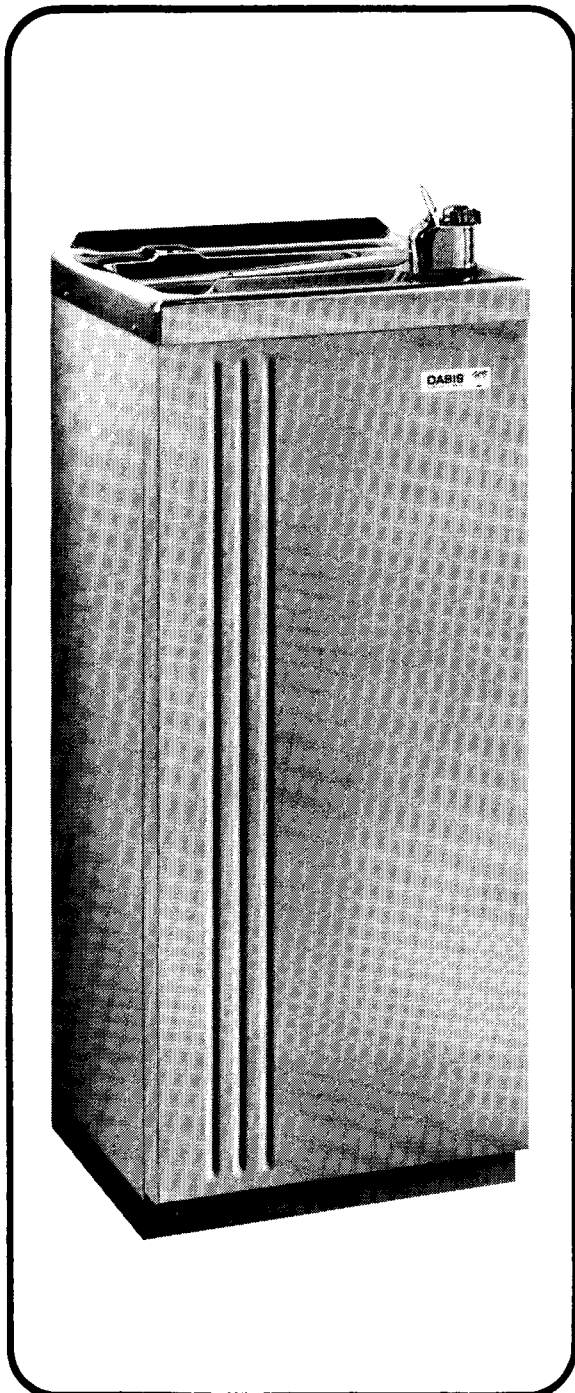


# SERVICE INSTRUCTIONS

...with Illustrated  
Parts Breakdown

# EBCO<sup>®</sup>

**WATER COOLER MODELS:**  
DP8X, DP8X-SCP, DP8X-001,  
DP8X-001SCP, PLF8FSHD, PLF8FSHDCP,  
PLF8FSHD-001, PLF8FSHDCP-001



## SPECIFICATIONS

**MODELS: DP8X, DP8X-SCP**

Voltage	115 VAC $\pm$ 10%/1PH/60 Hertz
Size (Approx)	40" H., 17" W., 14" D.
Shipping Weight (Approx)	95 LBS.
Cold Water Capacity	8 GPH
Compressor	1/5 HP
Compressor (Full Load)	3.9 Amps
Refrigerant	R-12
Refrigerant Charge	3-7/8 OZ.

\*A.R.I. Rating: Room Temperature 90°F; Supply Water Temperature 80°F; Drinking Water Temperature 50°F.

Specifications subject to change without notice.

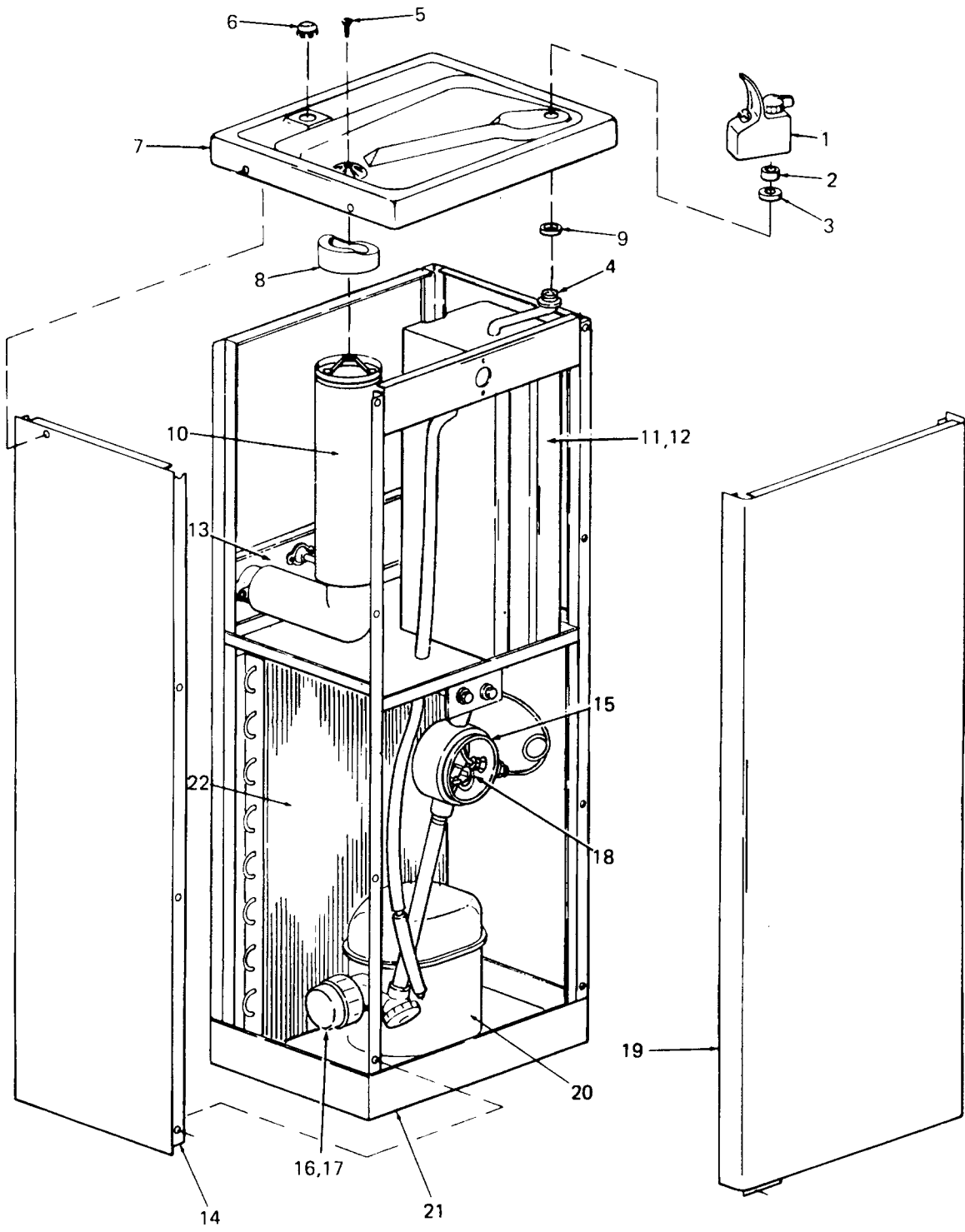
## SPECIFICATIONS

**MODELS: DP8X-001, DP8X-001SCP, PLF8FSHD, PLF8FSHDCP,  
PLF8FSHD-001, PLF8FSHDCP-001**

Voltage	115 VAC $\pm$ 10%/1 PH/60 Hertz
Size (Approx)	40" H., 17" W., 14" D.
Shipping Weight (Approx)	95 LBS.
Cold Water Capacity	8 GPH
Compressor	1/5 HP
Compressor (Full Load)	3.9 Amps
Refrigerant	R-12
Refrigerant Charge	4-1/2 OZ.

\*A.R.I. Rating: Room Temperature 90°F; Supply Water Temperature 80°F; Drinking Water Temperature 50°F.

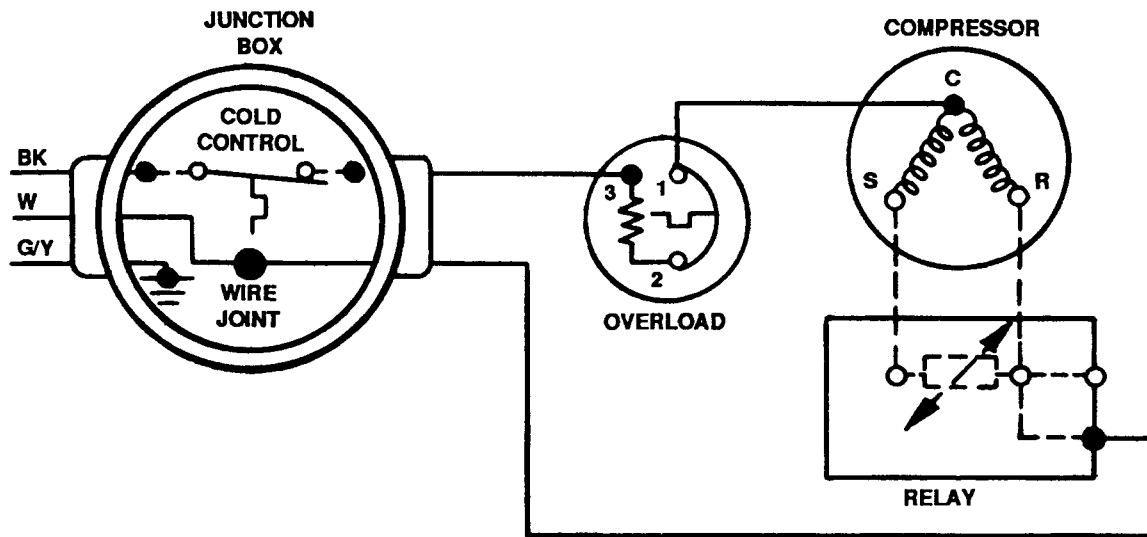
Specifications subject to change without notice.



# PARTS LIST

ITEM NO.	DESCRIPTION	DP8X DP8X-001 PLF8FSHD PLF8FSHD-001	DP8X-SCP DP8X-001SCP PLF8FSHD PLF8FSHD-001
1	Bubbler Valve Assembly .....	030774-002	030774-002
2	Valve Body Gasket .....	008983	008983
3	Friction Washer .....	009281	009281
4	Bubbler Spud .....	028701-001	028701-001
5	Drain Screw .....	026655-002	026655-002
6	Cover .....	017604-001	017604-001
7	Top .....	028965-002	028965-002
8	Waste Gasket .....	018050	018050
9	Gasket (Under Top) .....	028706-001	028706-001
10	Insulated Precooler Assembly .....	028952-001	028952-002
11	Insulated Cooling Tank Assembly .....	029014-001	029014-002
12	Cooling Tank Insulation (2 Required) .....	017599	017599
13	Rear Panel – Tan .....	029010-001	---
	Rear Panel – Stainless Steel .....	---	029010-002
14	Side Panel – Tan .....	019403-004	---
	Side Panel – Stainless Steel .....	---	019403-005
15	Junction Box .....	026417	026417
16	Relay .....	025817-001	025817-001
17	Overload .....	028707-001	028707-001
18	Cold Control w/Bushing .....	026512	026512
19	Front Panel – Tan .....	018385-001	---
	Front Panel – Stainless Steel .....	---	018385-003
20	Compressor Assembly (Includes Items 16 and 17) .....	028703-001	028703-001
21	Base Assembly – Tan .....	028924-002	---
	Base Assembly – Stainless Steel .....	---	028924-004
22	Condenser .....	028926-001	028926-002
<b>NOT SHOWN</b>			
	Foot Pedal Kit .....	026645-015	026645-015
	Glass Filler Installation Kit .....	029440-001	029440-001

# ELECTRICAL DIAGRAM



**EBCO<sup>®</sup> MANUFACTURING COMPANY**

265 N. Hamilton Rd. • P.O. Box 13150 • Columbus, OH 43213-0150 • 614/861-1350 • Cable: EBCO • Fax: 614/861-5017