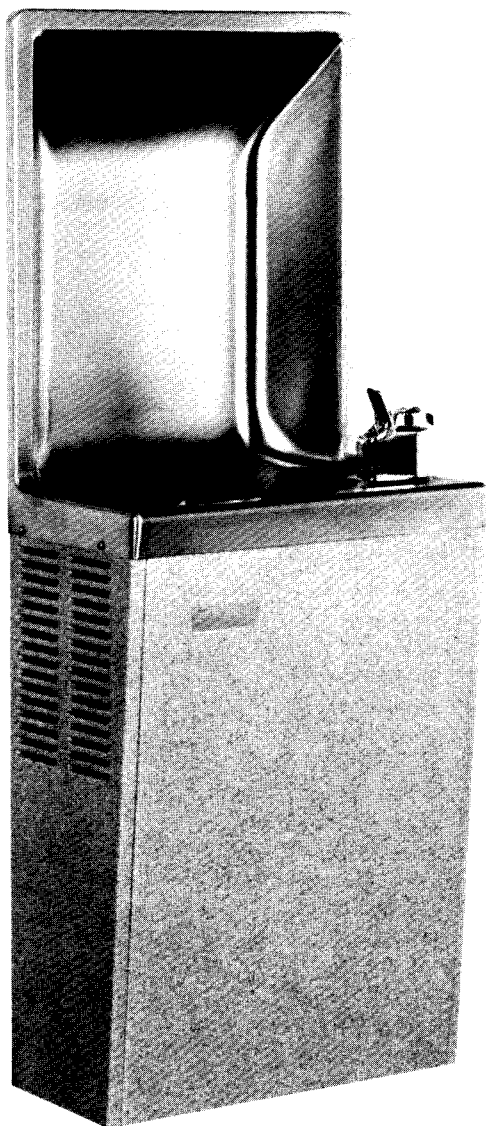


SERVICE INSTRUCTIONS

...with Illustrated Parts Breakdown

EBCO[®]

WATER COOLER MODELS: DP8S, DP14S, WERC08, WERC14



DESCRIPTION

These models provide drinking water cooled to 50° F at 8 and 14 gallons per hour. The unit mounts semi-recessed into a wall and requires connections to supply water, electrical power, and waste drain.

The refrigeration system is hermetically sealed at manufacture and is generally considered to be non-field serviceable. The air-cooled compressor pumps refrigerant through the fan-cooled condenser and capillary tube (expansion valve) to the cooling tank evaporator. The evaporator is wrapped around the cooling tank for high efficiency.

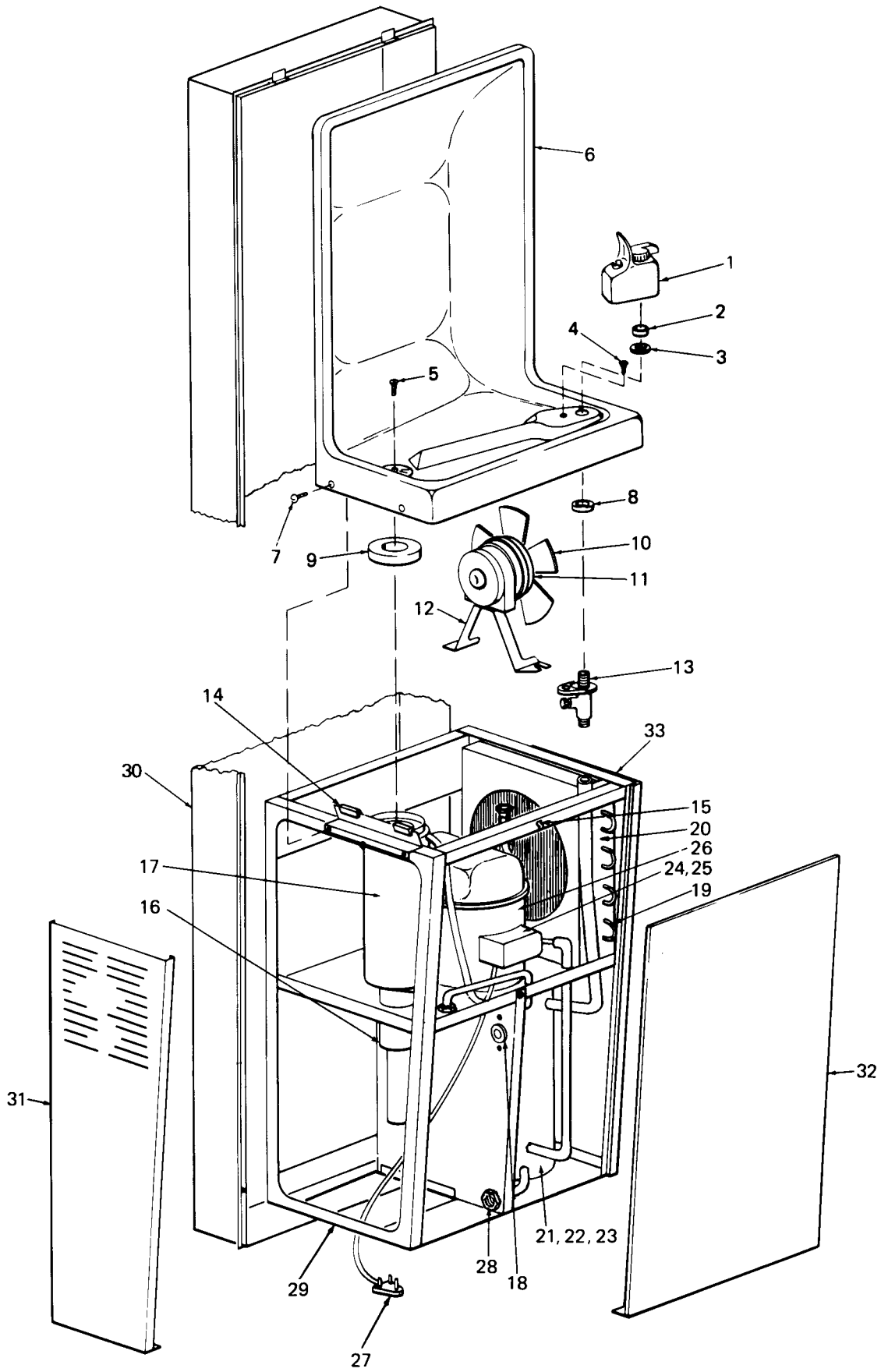
The electrical circuit includes automatic overload protection, and an adjustable cold control for water temperature regulation.

SPECIFICATIONS

Voltage	115 VAC ±10%/1PH/60 Hertz	
Size (Overall)		
	DP8S	DP14S
Shipping Weight LBS.	94	99
Cold Water Capacity*	8	14
Compressor HP	1/5	1/5
Compressor Full Load	5.0 Amps	5.0 Amps
Refrigerant Charge OZ./R-12	5	5

*A.R.I. Rating: Room Temperature 90° F; Supply Water Temperature 80° F; Drinking Water Temperature 50° F.

Specifications subject to change without notice.



PARTS LIST

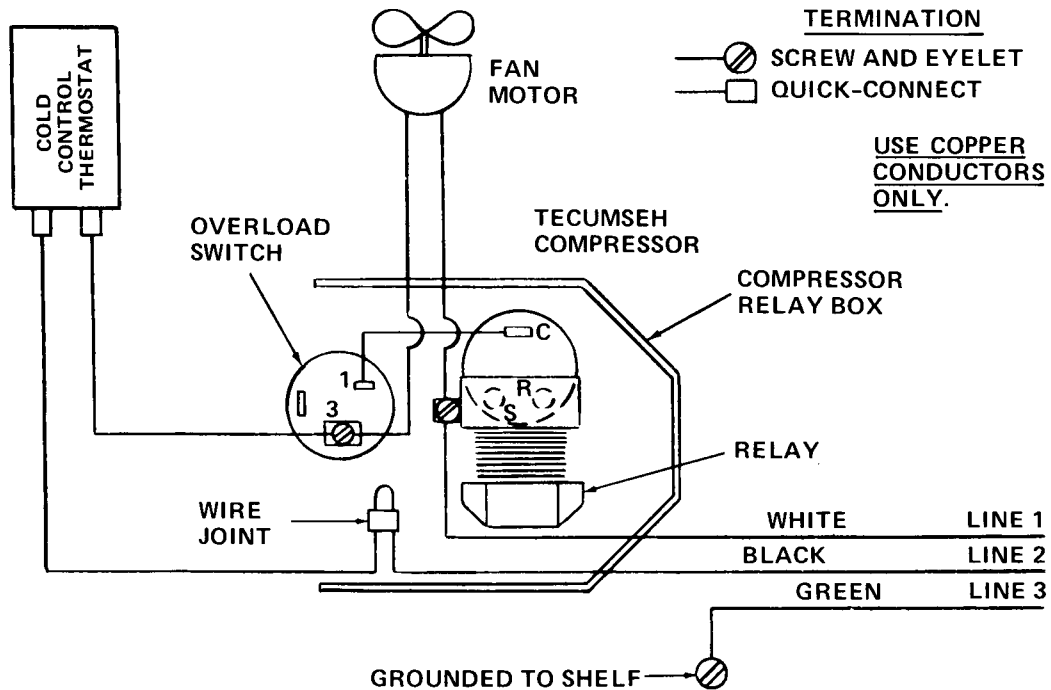
ITEM NO.	DESCRIPTION	DP8S WERC08	DP14S WERC14
1	Valve Assembly	026551-002	026551-002
2	Valve Gasket	008983	008983
3	Friction Washer	009281	009281
4	Bubbler Spud Screw	026680-005	026680-005
5	Drain Screw	026655-002	026655-002
6	Top	017929	017929
7	Top Screw	026630-005	026630-005
8	Gasket (Under Top)	010545	010545
9	Waste Gasket	018050	018050
10	Fan Blade	022977	022977
11	Fan Motor	018909	018909
12	Fan Motor Bracket	018559	018559
13	Supply Spud	025136	025136
14	Spacer Angle	018071	018071
15	Cable Clip	018156-001	018156-001
16	Precooler or Waste Drain	025161	025198
17	Precooler Insulation	018059-003	018059-003
18	Cold Control	027040-007	027040-007
19	Condenser	024076-001	024076-001
20	Condenser Shroud	018955	018955
21	Cooling Tank Assembly	025139-001	025239-001
22	Cooling Tank Insulation (LH)	025114	025114
23	Cooling Tank Insulation (RH)	025115	025115
24	Relay	017978	018461
25	Overload	017977	017977
26	Compressor (Includes 24 and 25)	027256-002	027256-002
27	Service Cord	026540-004	026540-004
28	Drain Plug	016899	016899
29	Frame Assembly	025145	025145
30	Wall Mounting Box	020530	020530
31	Left Side Panel — Painted Tan	021869L	021869L
	Left Side Panel — Chestnut	018961-001	018961-001
	Left Side Panel — Charcoal	018962L	018962L
	Left Side Panel — Walnut	018964L	018964L
	Left Side Panel — Stainless Steel	018963L	018963L
	Left Side Panel — Sandstone	018961-003	018961-003
	Left Side Panel — Painted Lt. Beige *W/W	021869L	021869L
	Left Side Panel — Beige *W/W	024484	024484
32	Front Panel — Painted Tan	021871	021871
	Front Panel — Chestnut	019644-001	019644-001
	Front Panel — Charcoal	019645	019645
	Front Panel — Walnut	019647	019647
	Front Panel — Stainless Steel	019646	019646
	Front Panel — Sandstone	019644-002	019644-002
	Front Panel — Painted Lt. Beige *W/W	021871	021871
	Front Panel — Beige *W/W	024479	024479
33	Right Side Panel — Painted Tan	021869R	021869R
	Right Side Panel — Chestnut	018961-002	018961-002
	Right Side Panel — Charcoal	018962R	018962R
	Right Side Panel — Walnut	018964R	018964R
	Right Side Panel — Stainless Steel	018963R	018963R
	Right Side Panel — Sandstone	018961-004	018961-004
	Right Side Panel — Painted Lt. Beige *W/W	021869R	021869R
	Right Side Panel — Beige *W/W	024483	024483

*W/W — White Westinghouse

SERVICE CHECK CHART

TROUBLE	PROBABLE CAUSE	REMEDY
Unit not running	No electrical power Defective cold control Defective relay	Check power source Check that cold control is not in off position Replace Replace
Unit running but not cooling	Refrigerant leak or low refrigerant	Add refrigerant
Unit running continuously	Defective cold control Low refrigerant	Replace Add refrigerant

ELECTRICAL DIAGRAM



EBCO[®] MANUFACTURING COMPANY

265 N. Hamilton Rd. • P.O. Box 13150 • Columbus, OH 43213-0150 • 614/861-1350 • Cable: EBCO • Telex: 246637