



AQUARIUS
®

Kelvinator®

White-Westinghouse®

ILLUSTRATED PARTS BREAKDOWN

WATER COOLER MODELS:

DP8S-002

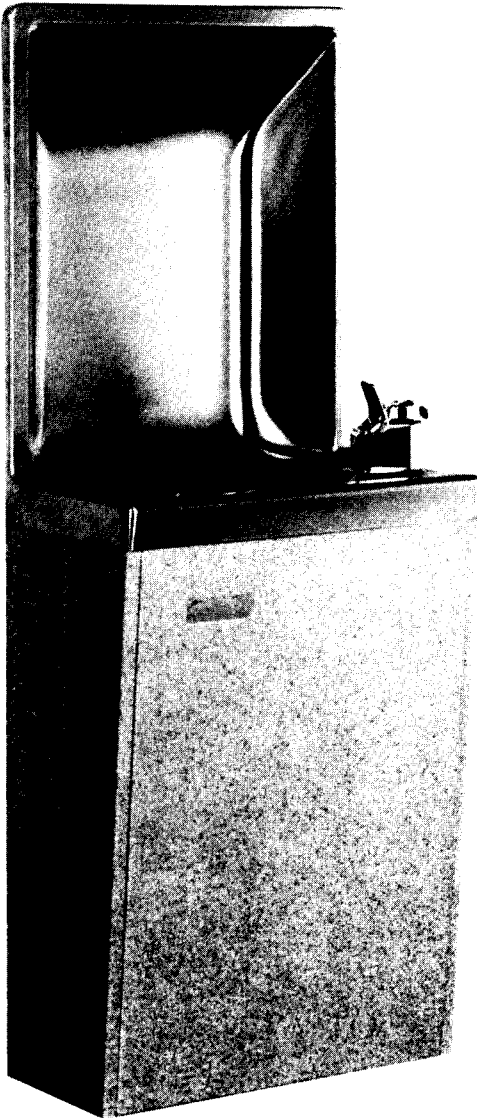
PLF8S

PLF14S

DP14S-002

PLF8S-001

PLF14S-001

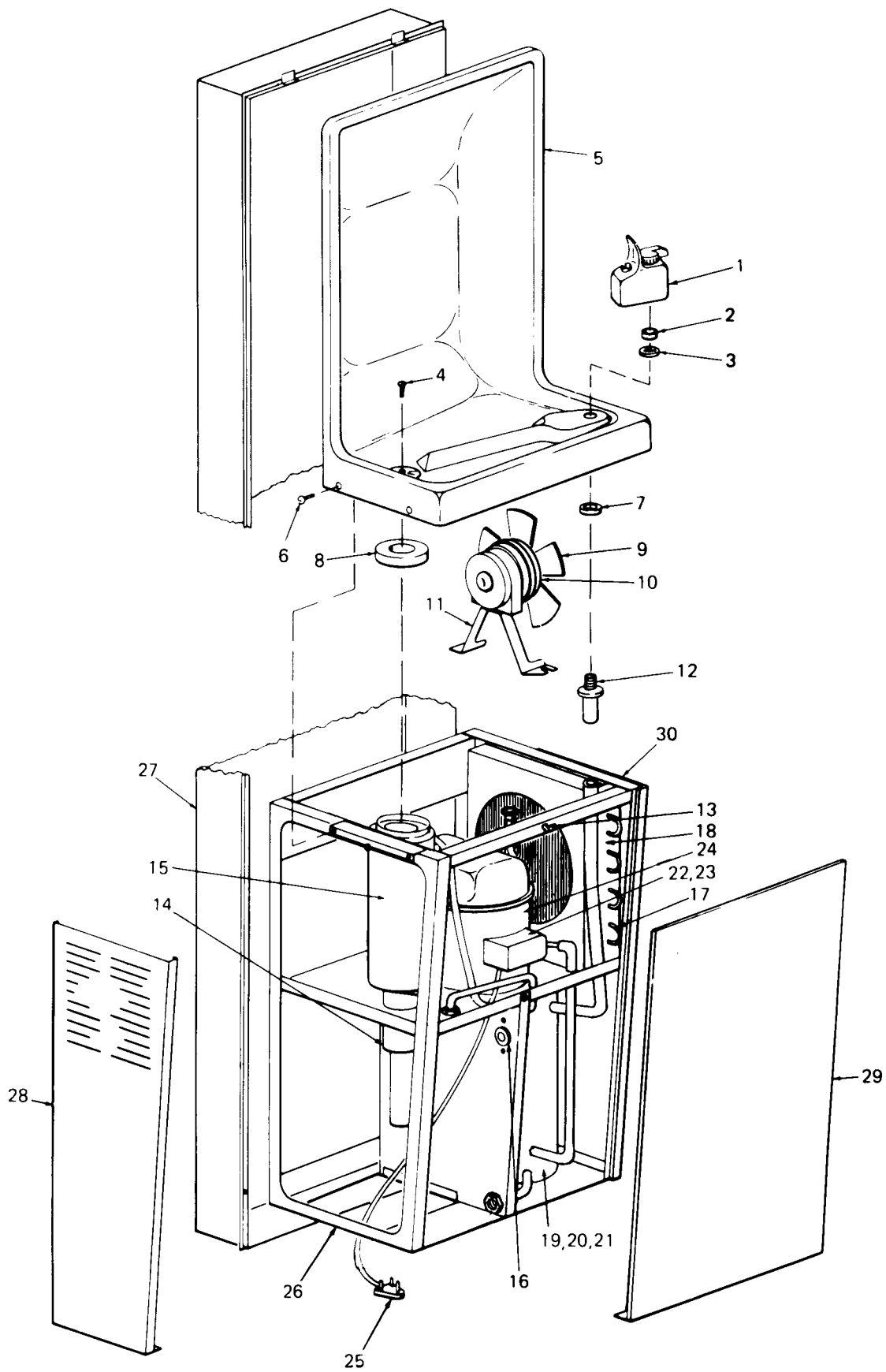


SPECIFICATIONS

Voltage	115 VAC \pm 10%/1PH/60 Hertz
Size (Approx)	45" H., 17" W., 10" D.
Shipping Weight (Approx)	71 LBS.
Cold Water Capacity	8 and 14 GPH
Compressor	1/5 HP
Compressor (Full Load)	5.0 Amps
Refrigerant	R-12
Refrigerant Charge	5-1/4 OZ.

*A.R.I. Rating: Room Temperature 90°F; Supply Water Temperature 80°F; Drinking Water Temperature 50°F.

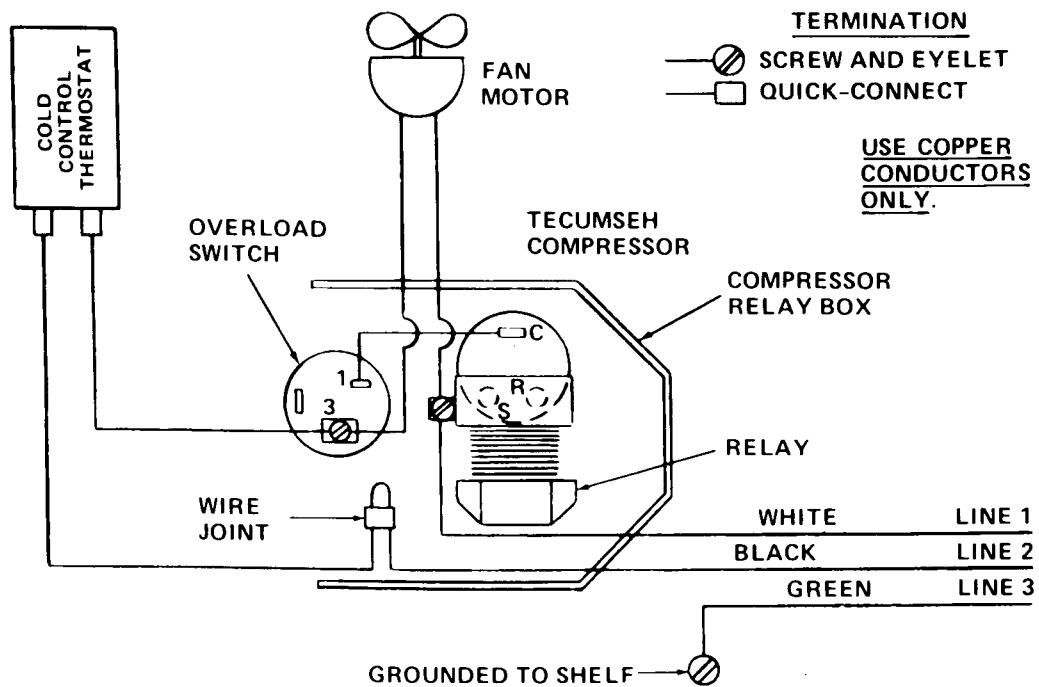
Specifications subject to change without notice.



PARTS LIST

ITEM NO.	DESCRIPTION	DP8S PLF8S SERIES	DP14S PLF14S SERIES
1	12000 Valve Assembly	026551-002	026551-002
	12000A Valve Assembly (PLF-001 Series)	030774-002	030774-002
2	Valve Body Gasket	008983	008983
3	Friction Washer	009281	009281
4	Drain Screw	026655-002	026655-002
5	Semi-Recessed Top	028850-001	028850-001
6	Top Screw	026630-005	026630-005
7	Gasket (Under Top)	028706-001	028706-001
8	Waste Gasket	018050	018050
9	Fan Blade	022977	022977
10	Fan Motor	027354-009	027354-009
11	Fan Motor Bracket	018559	018559
12	Bubbler Supply Spud	028701-002	028701-002
13	Cable Clip	018156-001	018156-001
14	Precooler or Waste Drain	025161	025198-001
15	Precooler Insulation	018073-004	018059-010
16	Cold Control	027040-007	027040-007
17	Condenser	024076-001	024076-001
18	Condenser Shroud	018955	018955
19	Insulated Cooling Tank Assembly	028883-001	028882-001
20	Cooling Tank Insulation (LH)	028661-001	028661-001
21	Cooling Tank Insulation (RH)	028660-001	028660-001
22	Relay	017978	017978
23	Overload	017977	017977
24	Compressor (Includes 22 and 23)	027256-002	027256-002
25	Service Cord	026540-004	026540-004
26	Frame Assembly	028983-001	028983-001
27	Wall Mounting Box Assembly	020530	020530
28	Left Side Panel – Stainless Steel	018963L	018963L
	Left Side Panel – Sandstone	018961-003	018961-003
29	Front Panel – Stainless Steel	019646	019646
	Front Panel – Sandstone	019644-002	019644-002
30	Right Side Panel – Stainless Steel	018963R	018963R
	Right Side Panel – Sandstone	018961-004	018961-004

ELECTRICAL DIAGRAM



OASIS® & AQUARIUS® are registered trademarks of EBCO Manufacturing Company
 The trademarks Kelvinator® and White-Westinghouse® are used under license from White Consolidated Industries, Inc.

EBCO® **MANUFACTURING COMPANY**

265 N. Hamilton Rd. • P.O. Box 13150 • Columbus, OH 43213-0150 • 614/861-1350 • Fax: 614/861-5017

Copyright 1993 EBCO Manufacturing Co.