



**AQUARIUS**  
WAVES

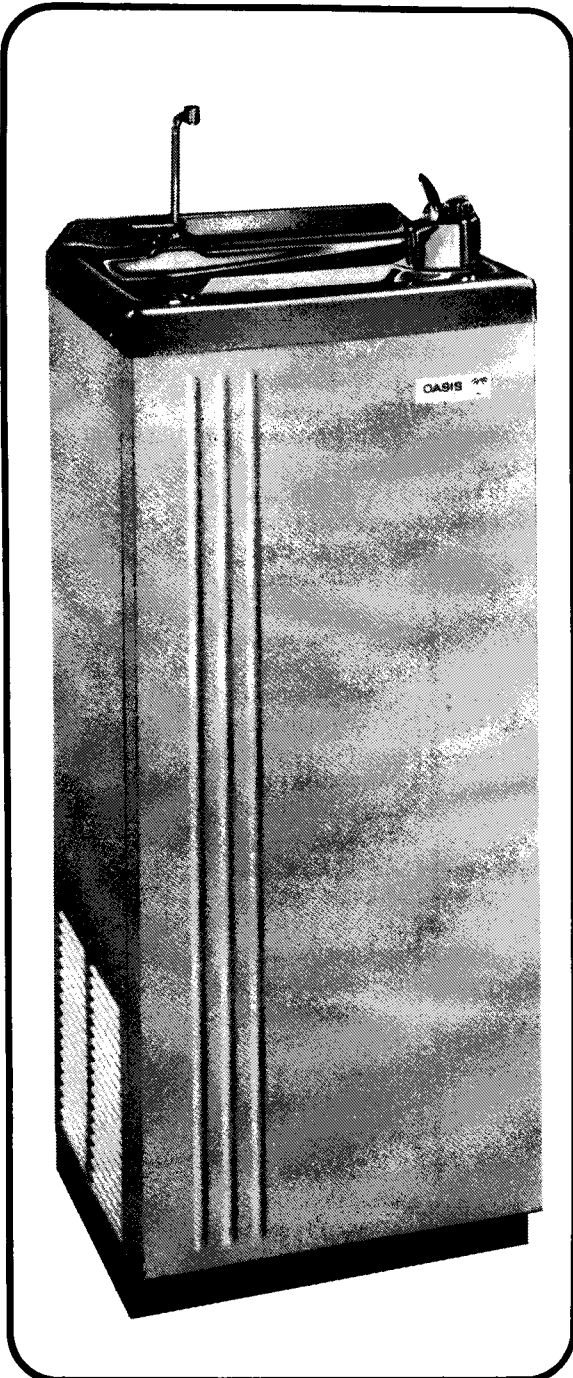
*Kelvinator*

White-Westinghouse®

# ILLUSTRATED PARTS BREAKDOWN

## WATER COOLER MODELS:

<b>DP8A-003</b>	<b>PLF8FA</b>	<b>PLF8FAH-001</b>
<b>DP8AH-003</b>	<b>PLF8FA-001</b>	<b>PLF14FA</b>
<b>DP14A-001</b>	<b>PLF8FAH</b>	<b>PLF14FA-001</b>



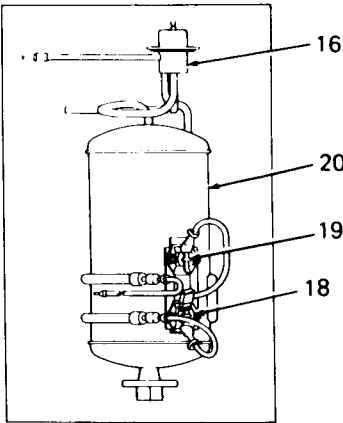
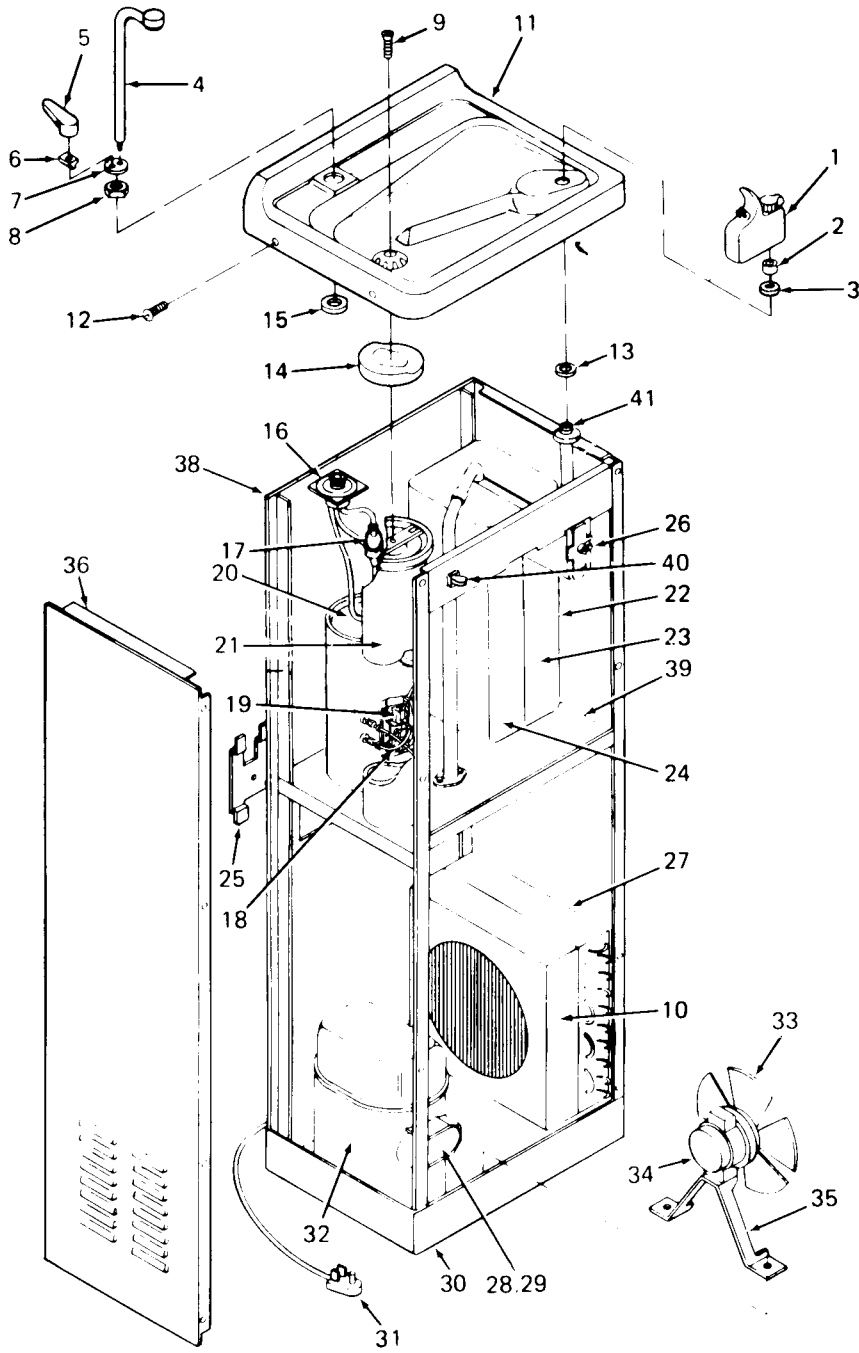
## SPECIFICATIONS

Voltage	115 VAC ±10%/1PH/60 Hertz
Size	40" H., 17" W., 14" D.
Shipping Weight (Approx)	96 LBS.

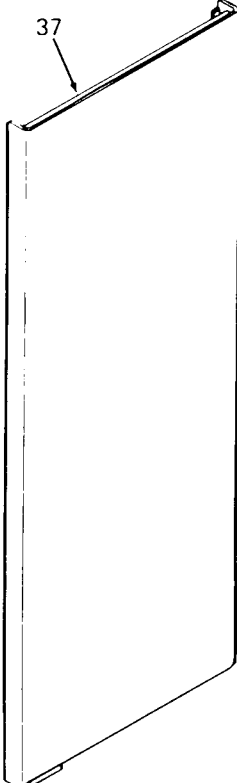
Models	DP8A DP8AH PLF8FA PLF8FAH	DP14A PLF14FA
Cold Water Capacity (GPH)	8	14
Compressor (HP)	1/5	1/5
Compressor Amps (Full Load)	5.0	5.0
Hot Tank Amps	4.3	
Refrigerant	R-12	R-12
Refrigerant Charge	5-1/4 OZ.	5-1/4 OZ.

\*A.R.I. Rating: Room Temperature 90°F; Supply Water Temperature 80°F; Drinking Water Temperature 50°F.

Specifications subject to change without notice.



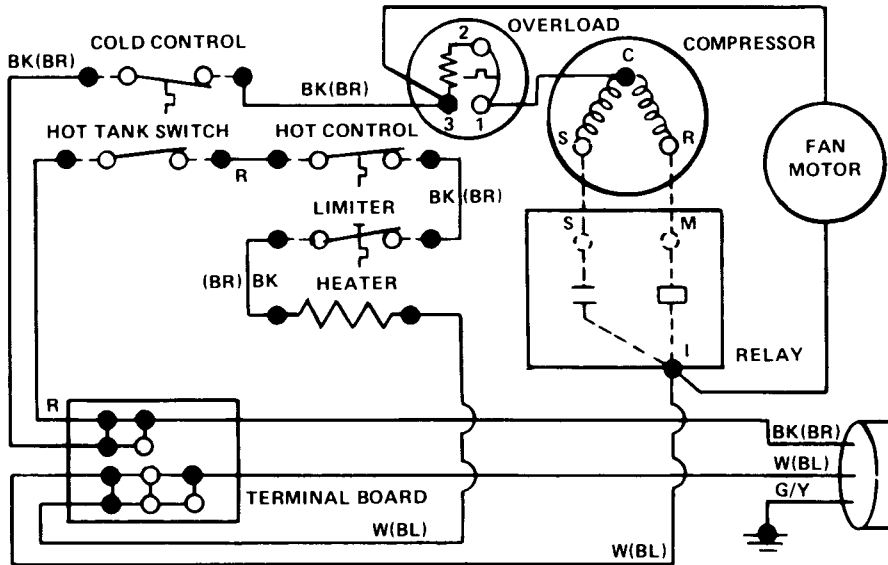
**HOT TANK  
DETAIL**



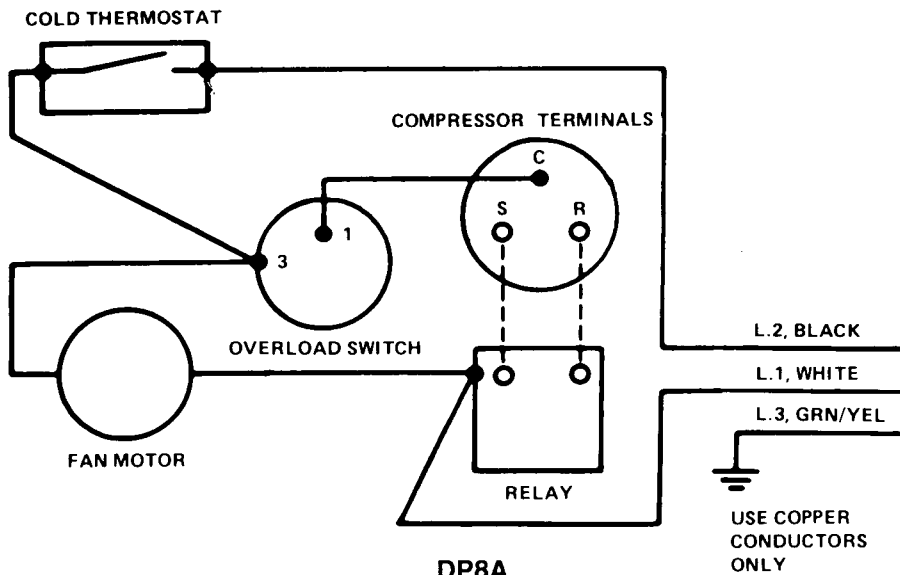
## PARTS LIST

ITEM NO.	DESCRIPTION	DP8A-003 PLF8FA	DP8AH-003 PLF8FAH	DP14A-001 PLF14FA
1	12000 Bubbler Valve .....	026551-002	026551-002	026551-002
	12000A Bubbler Valve (PLF-001 Series) .....	030774-002	030774-002	030774-002
2	Bubbler Valve Gasket .....	008983	008983	008983
3	Friction Washer .....	009281	009281	009281
4	Gooseneck .....	---	017590	---
5	Handle .....	---	017925	---
6	Tee Nut .....	---	017926	---
7	Cover .....	---	017927	---
8	Nut .....	---	017583	---
9	Drain Screw .....	026655-002	026655-002	026655-002
10	Condenser Shroud .....	026416	026416	026416
11	Top .....	028965-005	028965-002	028965-005
12	Top Screw .....	026630-005	026630-005	026630-005
13	Gasket (Under Top) .....	028706-001	028706-001	028706-001
14	Waste Gasket .....	018050	018050	018050
15	Hot Valve Gasket .....	---	017582	---
16	Hot Valve Body Assembly .....	---	026693	---
17	Check Valve .....	---	026274	---
18	Hot Thermostat Kit w/Clip .....	---	028603-001	---
19	Heat Limiter Kit w/Clip .....	---	028604-001	---
20	Hot Tank .....	---	029359-001	---
21	Precooler or Waste Assembly .....	018406-001	018406-002	026067-001
22	Insulated Cooling Tank Assembly .....	028742-001	028742-001	028742-001
23	Cooling Tank Insulation (RH) .....	028660-001	028660-001	028660-001
24	Cooling Tank Insulation (LH) .....	028661-001	028661-001	028661-001
25	Utility Cover – Painted .....	018456	018456	018456
	Utility Cover – Stainless Steel .....	018480	018480	018480
26	Cold Control .....	027040-007	027040-007	027040-007
27	Condenser .....	019743	019743	019743
28	Relay .....	017978	017978	017978
29	Overload .....	017977	017977	017977
30	Base .....	018379-002	018379-002	018379-002
31	Service Cord .....	026540-005	026540-003	026540-005
32	Compressor (Includes Items 28 & 29) .....	027256-002	027256-002	027256-002
33	Fan Blade .....	022977	022977	022977
34	Fan Motor .....	027354-009	027354-009	027354-009
35	Fan Motor Bracket .....	017557	017557	017557
36	Side Panel – Painted .....	019403-001	019403-001	019403-001
	Side Panel – Stainless Steel .....	019403-002	019403-002	019403-002
37	Front Panel – Painted .....	018385-001	018385-001	018385-001
	Front Panel – Stainless Steel.....	018385-003	018385-003	018385-003
38	Rear Panel – Painted .....	018384	018384	018384
	Rear Panel – Stainless Steel .....	018479	018479	018479
39	Shelf Assembly .....	026110-001	026110-001	026110-001
40	Paddle Switch (DP8AH) .....	---	020478	---
	Rocker Switch (PLF8AH) .....	---	029545-001	---
41	Bubbler Spud .....	028701-002	028701-002	028701-002
<b>NOT SHOWN</b>				
	Terminal Base .....	---	023265	---
	Base Cover .....	---	019793	---
	Glass Filler Installation Kit .....	028746-001	---	028746-001
	Foot Pedal Kit .....	026645-011	026645-011	026645-011
	Hole Cover .....	016994	---	016994

# ELECTRICAL DIAGRAMS



DP8AH  
PLF8FAH



DP8A  
DP14A  
PLF8FA  
PLF14FA

OASIS® & AQUARIUS® are registered trademarks of EBCO Manufacturing Company  
The trademarks Kelvinator® and White-Westinghouse® are used under license from White Consolidated Industries, Inc.

**EBCO**® MANUFACTURING COMPANY

265 N. Hamilton Rd • P.O. Box 13150 • Columbus, OH 43213-0150 • 614/861-1350 • Fax: 614/861-5017

Copyright 1993 EBCO Manufacturing Co.