



AQUARIUS

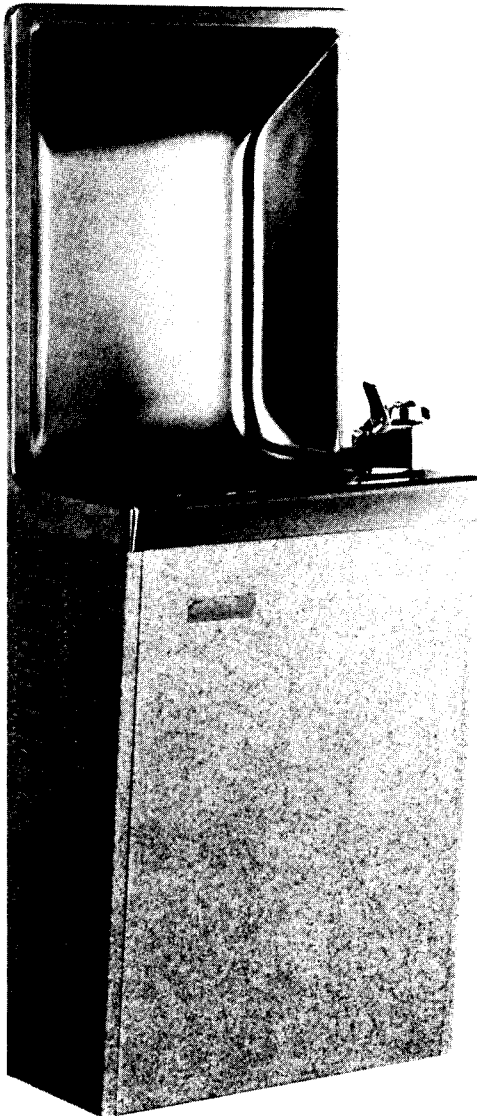
Kelvinator

White-Westinghouse®

ILLUSTRATED PARTS BREAKDOWN

WATER COOLER MODELS:

DP5S-004	PLF5S	PLF5S-D001
DP5S-001D	PLF5S-001	PLF5S-P
DP5S-P	PLF5S-D	PLF5S-P001

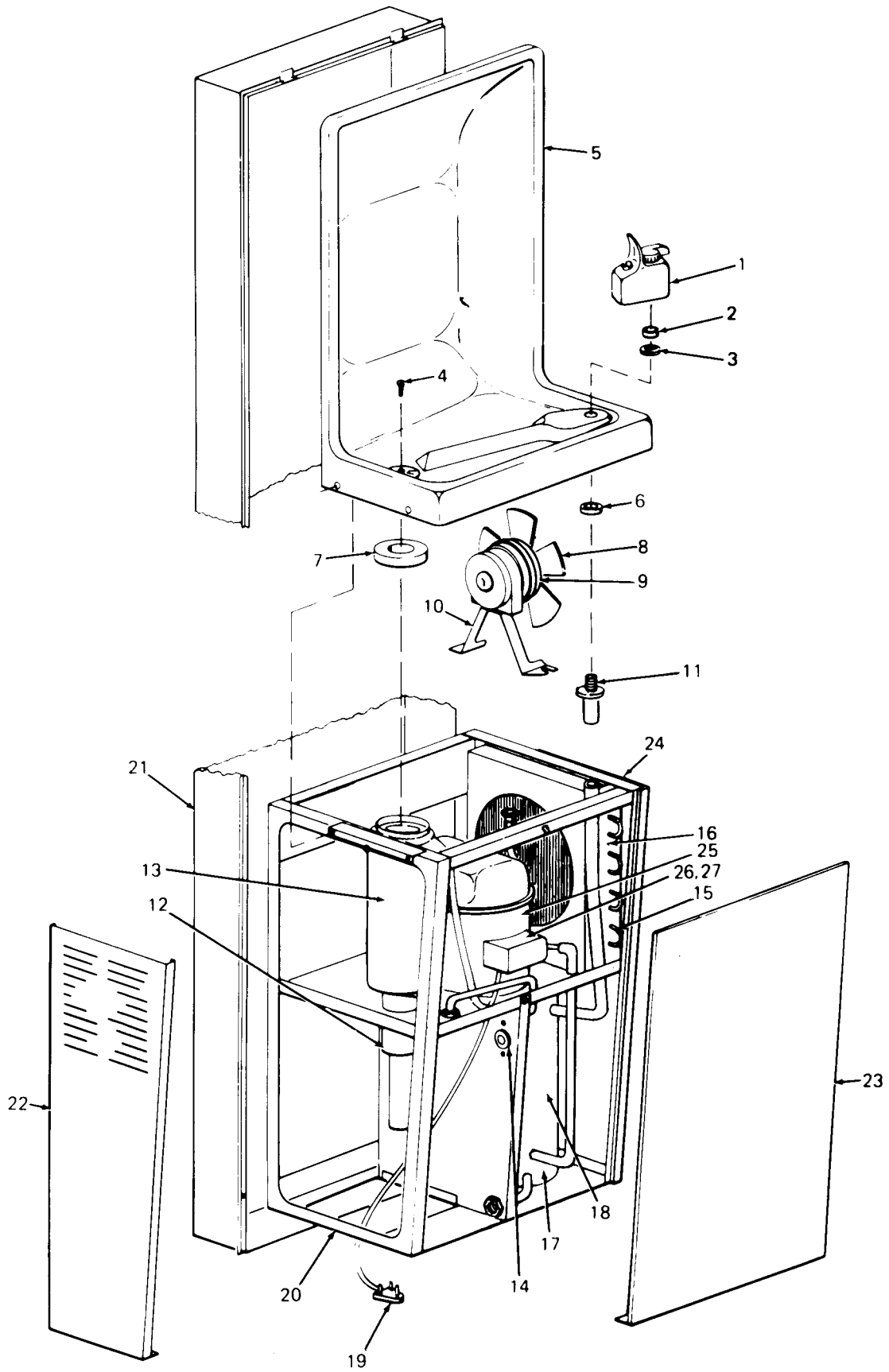


SPECIFICATIONS

Voltage	115 VAC ±10%/1PH/60 Hertz
Size (Approx)	45" H., 17" W., 10" D.
Shipping Weight (Approx)	63 LBS.
Cold Water Capacity (GPH)	5
Compressor (HP)	1/12
Compressor Amps (Full Load)	2.0
Refrigerant	R-12
Refrigerant Charge	4 OZ.

* A.R.I. Rating: Room Temperature 90°F; Supply Water Temperature 80°F; Drinking Water Temperature 50°F.

Specifications subject to change without notice.



PARTS LIST

ITEM NO.	DESCRIPTION	DP5S PLF5S SERIES
1	12000 Bubbler Valve	026551-002
	12000A Bubbler Valve (PLF-001 Series)	030774-002
2	Valve Body Gasket	008983
3	Friction Washer	009281
4	Drain Screw	026655-002
5	Semi-Recessed Top	028850-001
6	Bubbler Spud Gasket	028706-001
7	Waste Gasket	018050
8	Fan Blade	019199
9	Fan Motor Assembly	027354-020
10	Fan Motor Bracket	018559
11	Bubbler Supply Spud	028701-002
12	Uninsulated Precooler Assembly	025198-001
13	Precooler Insulation	018059-010
14	Cold Control	027040-007
15	Condenser	027297-001
16	Condenser Shroud	019198
17	Insulated Cooling Tank Assembly	029330-001
18	Cooling Tank Insulation	028230-002
19	Service Cord	026540-013
20	Frame Assembly	028983-001
21	Wall Mounting Box Assembly	020530
22	Left Side Panel – Stainless Steel	018963L
	Left Side Panel – Sandstone	018961-003
23	Front Panel – Stainless Steel	019646
	Front Panel – Sandstone	019644-002
24	Right Side Panel – Stainless Steel	018963R
	Right Side Panel – Sandstone	018961-004

COMPRESSORS

TECUMSEH DP5S & PLF5S

25	*Compressor Assembly	027244-001
26	Relay	027267-002
27	Overload	027268-001

DANFOSS DP5S-D & PLF5S-D

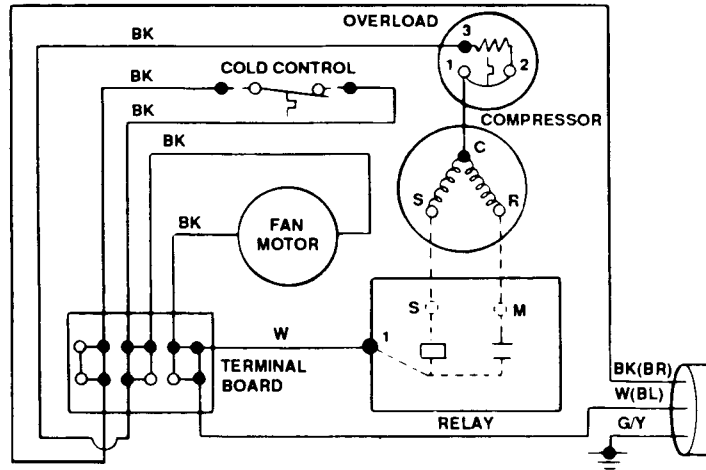
25	*Compressor Assembly	026868-002
26	Relay	026867
27	Overload	---

PANASONIC DP5S-P & PLF5S-P

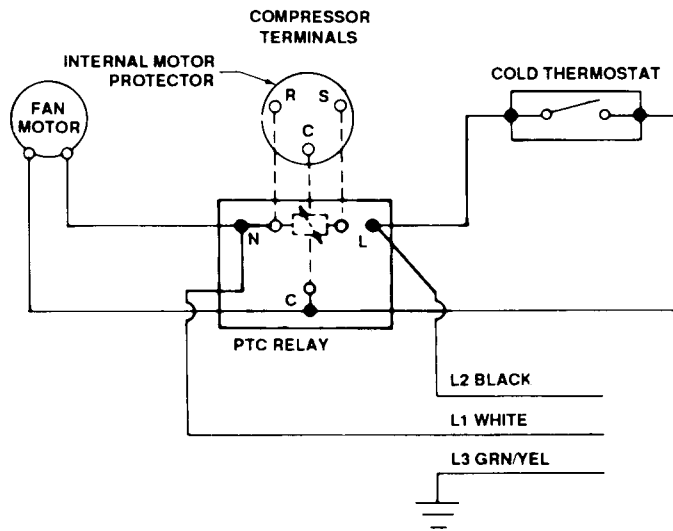
25	*Compressor Assembly	028570-002
26	Relay	027709-001
27	Overload	---

*NOTE: Compressors include relay and overload.

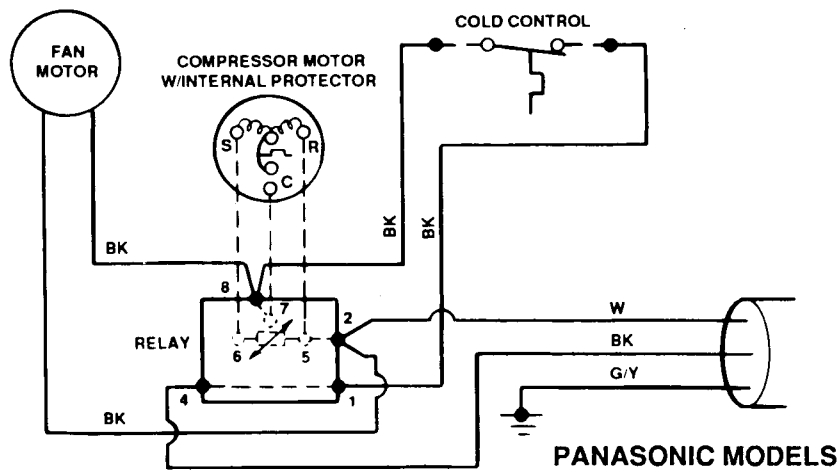
ELECTRICAL DIAGRAM



TECUMSEH MODELS



DANFOSS MODELS



OASIS® & AQUARIUS® are registered trademarks of EBCO Manufacturing Company
 The trademarks Kelvinator® and White-Westinghouse® are used under license from White Consolidated Industries, Inc.

EBCO MANUFACTURING COMPANY

265 N. Hamilton Rd. • P.O. Box 13150 • Columbus, OH 43213-0150 • 614/861-1350 • Fax: 614/861-5017

Copyright 1993 EBCO Manufacturing Co.