



AQUARIUS
WAVES

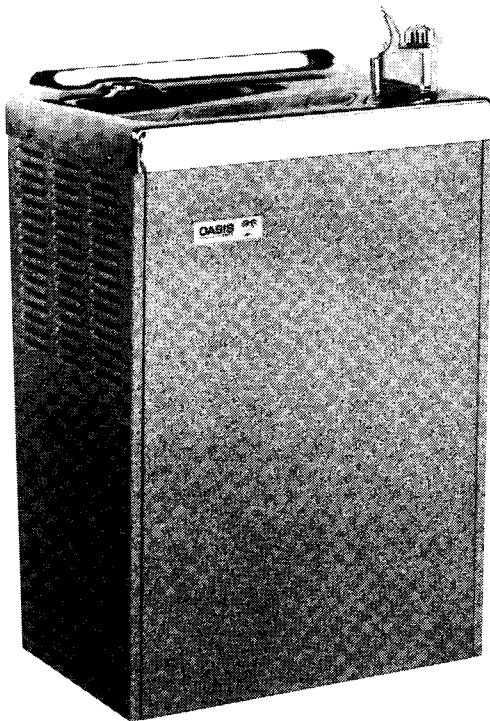
Kelvinator[®]

White-Westinghouse[®]

ILLUSTRATED PARTS BREAKDOWN

WATER COOLER MODELS:

DP5M-004	PLF5M	PLF5M-D001
DP5M-001D	PLF5M-001	PLF5M-P
DP5M-P	PLF5M-D	PLF5M-P001

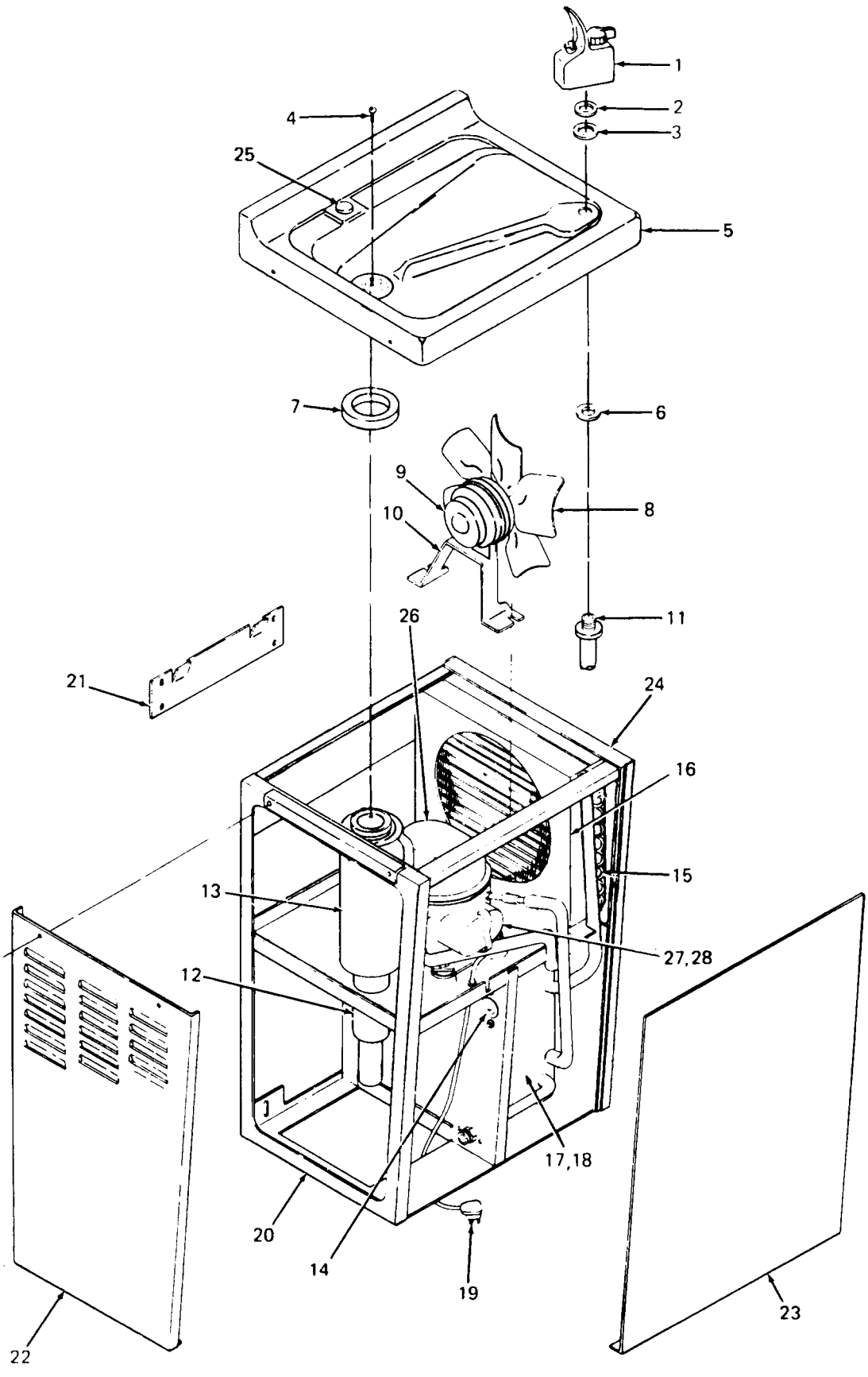


SPECIFICATIONS

Voltage	115 VAC ±10%/1PH/60 Hertz
Size (Approx)	26" H., 17" W., 13" D.
Shipping Weight (Approx)	60 LBS.
Cold Water Capacity (GPH)	5
Compressor (HP)	1/12
Compressor Amps (Full Load)	2.0
Refrigerant	R-12
Refrigerant Charge	4 OZ.

* A.R.I. Rating: Room Temperature 90°F; Supply Water Temperature 80°F; Drinking Water Temperature 50°F.

Specifications subject to change without notice.



PARTS LIST

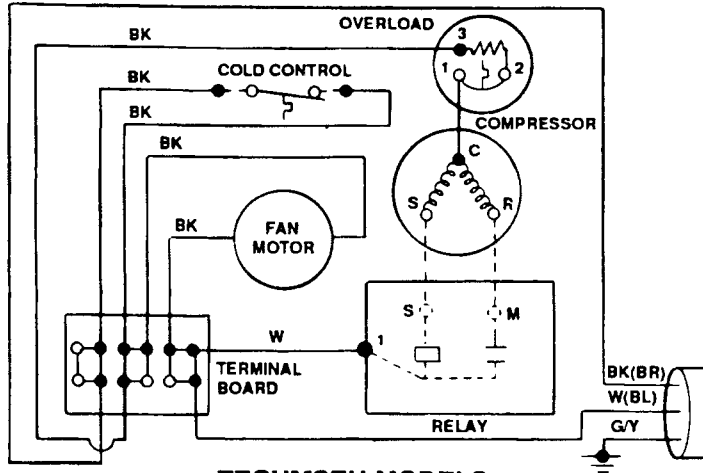
ITEM NO.	DESCRIPTION	DP5M PLF5M SERIES
1	12000 Bubbler Valve	026551-002
	12000A Bubbler Valve (PLF-001 Series)	030774-002
2	Valve Body Gasket	008983
3	Friction Washer	009281
4	Drain Screw	026655-002
5	Top	028965-005
6	Bubbler Spud Gasket	028706-001
7	Waste Gasket	018050
8	Fan Blade	019199
9	Fan Motor Assembly	027354-020
10	Fan Motor Bracket	018559
11	Bubbler Supply Spud	028701-002
12	Uninsulated Precooler Assembly	025198-001
13	Precooler Insulation	018059-010
14	Cold Control	027040-007
15	Condenser	027297-001
16	Condenser Shroud	019198
17	Insulated Cooling Tank Assembly	029330-001
18	Cooling Tank Insulation	028230-002
19	Service Cord	026540-013
20	Frame Assembly	028983-001
21	Hanger Bracket and Barrier Assembly	025662-001
22	Left Side Panel – Stainless Steel	018939L
	Left Side Panel – Sandstone	018937-003
23	Front Panel – Stainless Steel	019646
	Front Panel – Sandstone	019644-002
24	Right Side Panel – Stainless Steel	018939R
	Right Side Panel – Sandstone	018937-004
25	Hole Cover	016994
 NOT SHOWN		
	Glass Filler Installation Kit	029137-001

COMPRESSORS

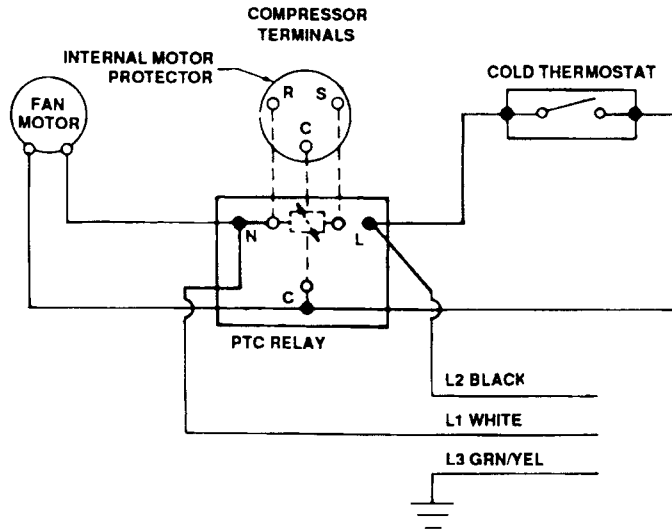
TECUMSEH DP5M & PLF5M			DANFOSS DP5M-D & PLF5M-D		
26	*Compressor Assembly	027244-001	26	*Compressor Assembly	026868-002
27	Relay	027267-002	27	Relay	026867
28	Overload	027268-001	28	Overload	---
 PANASONIC DP5M-P & PLF5M-P					
	26	*Compressor Assembly		028570-002	
	27	Relay		027709-001	
	28	Overload		---	

*NOTE: Compressors include relay and overload.

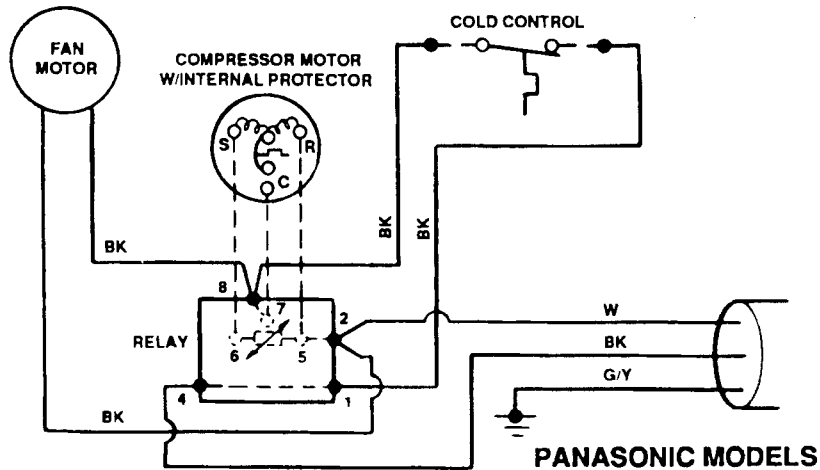
ELECTRICAL DIAGRAM



TECUMSEH MODELS



DANFOSS MODELS



PANASONIC MODELS

OASIS® & AQUARIUS® are registered trademarks of EBCO Manufacturing Company
 The trademarks Kelvinator® and White-Westinghouse® are used under license from White Consolidated Industries, Inc.

EBCO® MANUFACTURING COMPANY

265 N. Hamilton Rd. • P.O. Box 13150 • Columbus, OH 43213-0150 • 614/861-1350 • Fax: 614/861-5017

Copyright 1993 EBCO Manufacturing Co.