



AQUARIUS
®

Kelvinator®

White-Westinghouse®

ILLUSTRATED PARTS BREAKDOWN

WATER COOLER MODELS:

DP16W-002

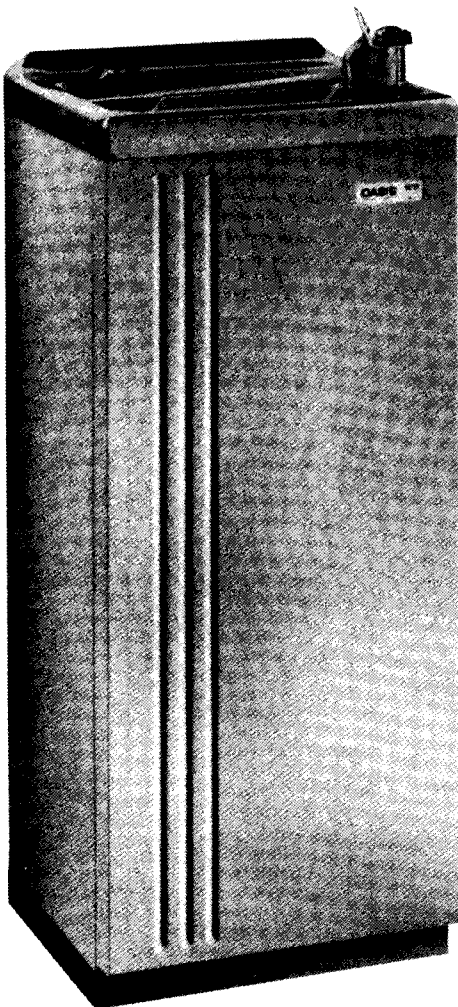
PLF 16FSW

PLF16FSWCP

DP16W-002SCP

PLF16FSW-001

PLF16FSWCP-001

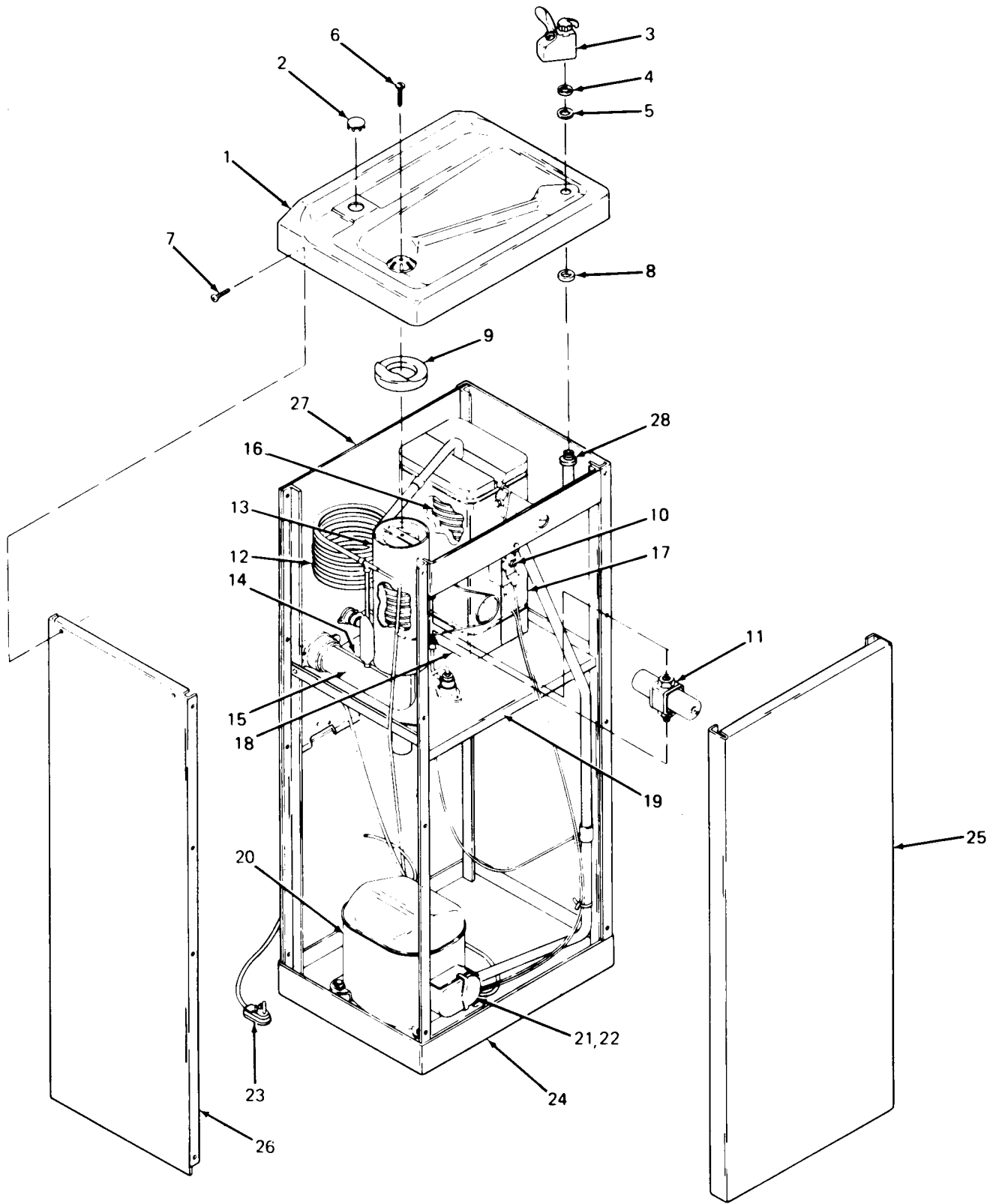


SPECIFICATIONS

Voltage	115 VAC \pm 10%/1PH/60 Hertz
Size (Approx)	40" H., 17" W., 14" D.
Shipping Weight (Approx)	105 LBS.
Cold Water Capacity	16 GPH
Compressor	1/5 HP
Compressor (Full Load)	4-1/2 Amps
Refrigerant	R-12
Refrigerant Charge	3.5 OZ.

*A.R.I. Rating: Room Temperature 90°F; Supply Water Temperature 80°F; Drinking Water Temperature 50°F.

Specifications subject to change without notice.



PARTS LIST

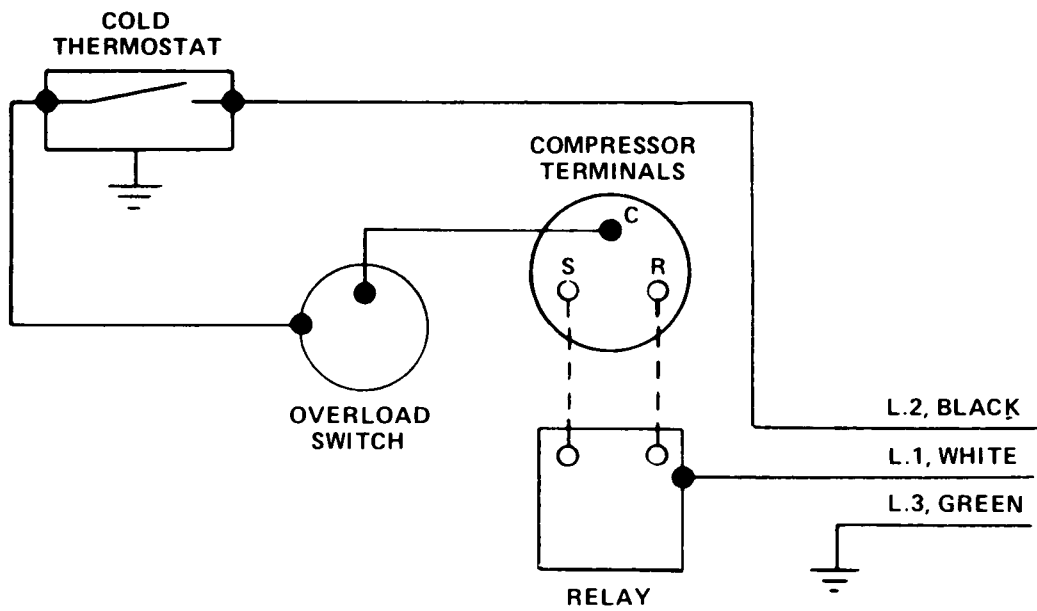
ITEM NO.	DESCRIPTION	DP16W PLF16FSW SERIES
1	Top	028965-005
2	Hole Cover	016994
3	12000 Valve Assembly	026551-002
	12000A Valve Assembly (PLF-001 Series)	030774-002
4	Valve Body Gasket	008983
5	Friction Washer	009281
6	Drain Screw	026655-002
7	Top Screw	026630-005
8	Gasket (Under Top)	028706-001
9	Waste Gasket	018050
10	Cold Control	027040-007
11	Condenser Water Valve	*026112
12	Condenser Assembly	*027045-003
13	Precooler Assembly	*018618-002
14	Waste Tube Insulation, RH	021483
15	Waste Tube Insulation, LH	021484
16	Insulated Cooling Tank Assembly	*028742-002
17	Cooling Tank Insulation, RH	028660-001
18	Cooling Tank Insulation, LH	028661-001
19	Shelf	026110-004
20	Compressor (Includes Items 21 and 22)	*027256-002
21	Overload	017977
22	Relay	017978
23	Service Cord	026540-005
24	Base Assembly – Tan	018379-002
	Base Assembly – Stainless Steel	027254-002
25	Front Panel – Tan	018624-001
	Front Panel – Stainless Steel	018870-001
26	Side Panel – Tan	019403-004
	Side Panel – Stainless Steel	019403-005
27	Rear Panel – Tan	027132-001
	Rear Panel – Stainless Steel	027132-002
28	Valve Spud	028701-002

OPTIONAL PARTS AND ACCESSORIES (Not Shown)

DESCRIPTION	DP16W-FPP PLF16FSWFP SERIES
Frost Proof Package	019160
Heater Assembly	022792
Thermostat (High)	022793
Thermostat (Low)	022794
Glass Filler Installation Kit	028746-001
Foot Pedal Kit	*026645-011

*Special Note: Specify if you want parts for SCP model coated with corrosion protection.

ELECTRICAL DIAGRAM



OASIS® & AQUARIUS® are registered trademarks of EBCO Manufacturing Company
The trademarks Kelvinator® and White-Westinghouse® are used under license from White Consolidated Industries, Inc.

EBCO® **MANUFACTURING COMPANY**

265 N. Hamilton Rd. • P.O. Box 13150 • Columbus, OH 43213-0150 • 614/861-1350 • Fax: 614/861-5017

Copyright 1983 EBCO Manufacturing Co.