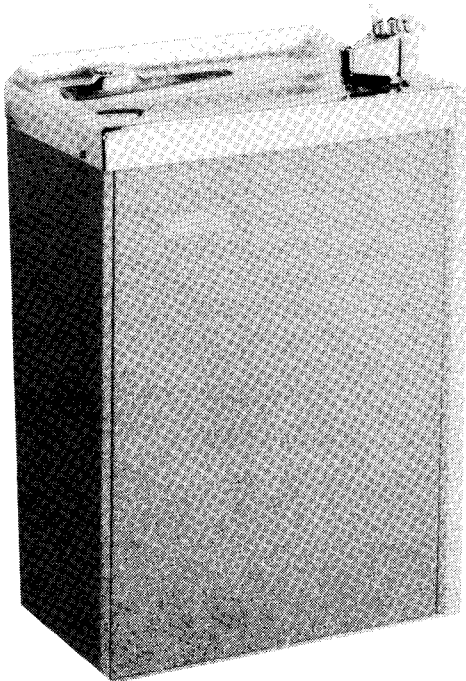


SERVICE INSTRUCTIONS

...with Illustrated Parts Breakdown

EBCO[®]

**WATER COOLER MODELS:
DP16MW-002, PLF16MW,
PLF16MW-001**

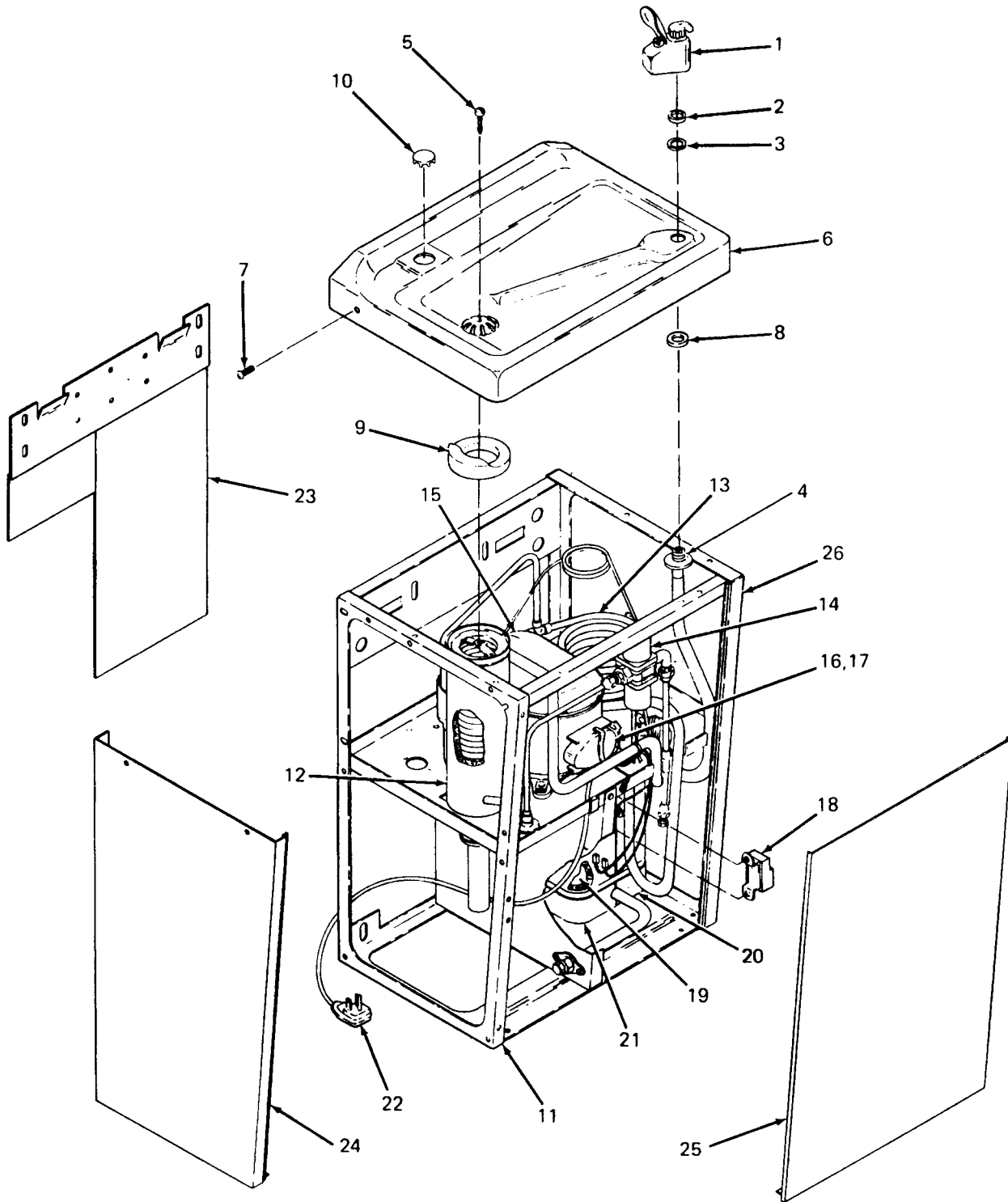


SPECIFICATIONS

Voltage	115 VAC \pm 10%/1PH/60 Hertz
Size	26" H., 17" W., 14" D.
Shipping Weight (Approx)	84 LBS.
Cold Water Capacity*	16 GPH
Compressor	1/5 HP
Compressor (Full Load)	4-1/2 Amps
Refrigerant	R-12
Refrigerant Charge	3-1/2 OZ.

*A.R.I. Rating: Room Temperature 90°F; Supply Water Temperature 80°F; Drinking Water Temperature 50°F.

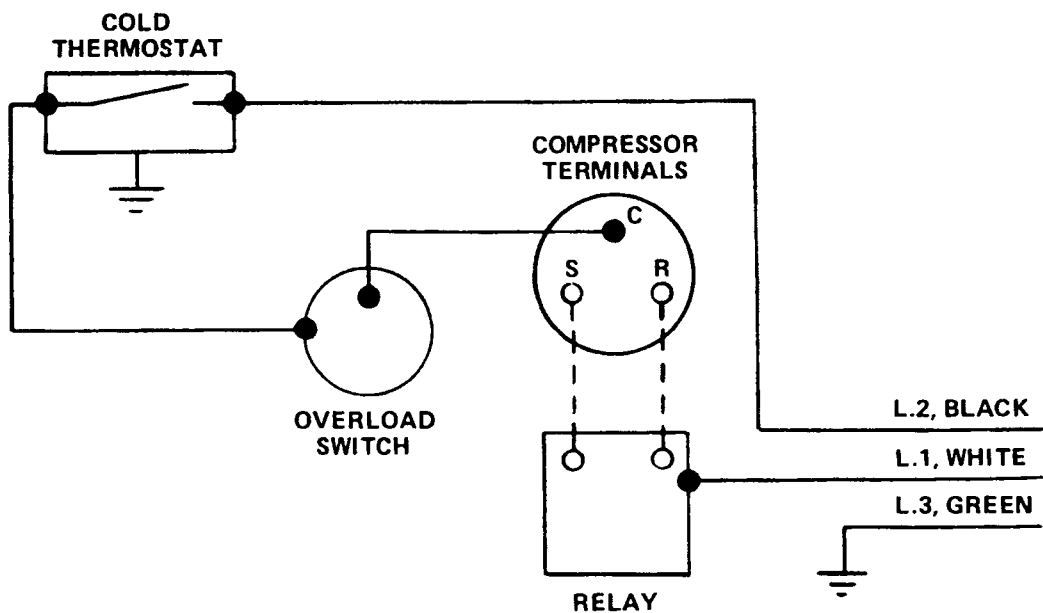
Specifications subject to change without notice.



PARTS LIST

ITEM NO.	DESCRIPTION	DP16MW-002 PLF16MW PLF16MW-001
1	12000A Valve Assembly (Used on model PLF16MW-001)	030774-002
	12000 Valve Assembly (Used on models DP16MW-002 and PLF16MW)	026551-002
2	Valve Body Gasket	008983
3	Friction Washer	009281
4	Valve Spud	028701-002
5	Drain Screw	026655-002
6	Top	028965-005
7	Top Screw	026630-005
8	Gasket (Under Top)	028706-001
9	Waste Gasket	018050
10	Hole Cover	016994
11	Frame Assembly	028983-001
12	Precooler Assembly	026044
13	Condenser	027025
14	Condenser Water Valve	026048
15	Compressor (Includes Items 16 and 17)	027256-002
16	Overload	017977
17	Relay	017978
18	Cold Control	027040-007
19	Cooling Tank Assembly (Insulated)	028882-002
20	Cooling Tank Insulation, RH	028660-001
21	Cooling Tank Insulation, LH	028661-001
22	Service Cord	026540-004
23	Hanger	025662-001
24	Left Side Panel – Tan	021870 L
	Left Side Panel – Stainless Steel	019577 L
	Left Side Panel – Sandstone	019575-003
25	Front Panel – Tan	021871
	Front Panel – Stainless Steel	019646
	Front Panel – Sandstone	019644-002
26	Right Side Panel – Tan	021870 R
	Right Side Panel – Stainless Steel	019577 R
	Right Side Panel – Sandstone	019575-004
ACCESSORY PART		
	Glassfiller Installation Kit	029137-002

ELECTRICAL DIAGRAM



EBCO[®] MANUFACTURING COMPANY

265 N. Hamilton Rd. • P.O. Box 13150 • Columbus, OH 43213-0150 • 614/861-1350 • Fax: 614/861-5017