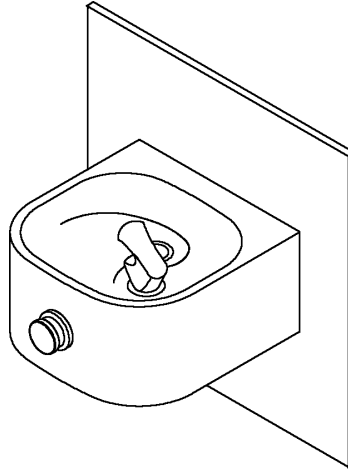


# Installation/Care/Use Manual

Model: EDFPW210C

Composite Non-Refrigerated Fountains



## Installer

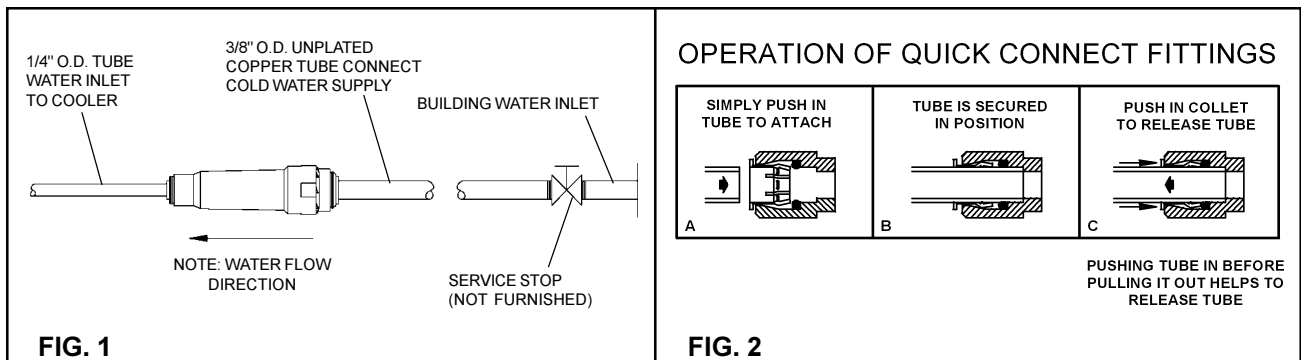
To assure you install this model easily and correctly, PLEASE READ THESE SIMPLE INSTRUCTIONS BEFORE STARTING THE INSTALLATION. CHECK YOUR INSTALLATION FOR COMPLIANCE WITH PLUMBING, ELECTRICAL AND OTHER APPLICABLE CODES. After installation, leave these instructions inside the fountain for future reference.

## IMPORTANT

ALL SERVICE TO BE PERFORMED BY AN AUTHORIZED SERVICE PERSON

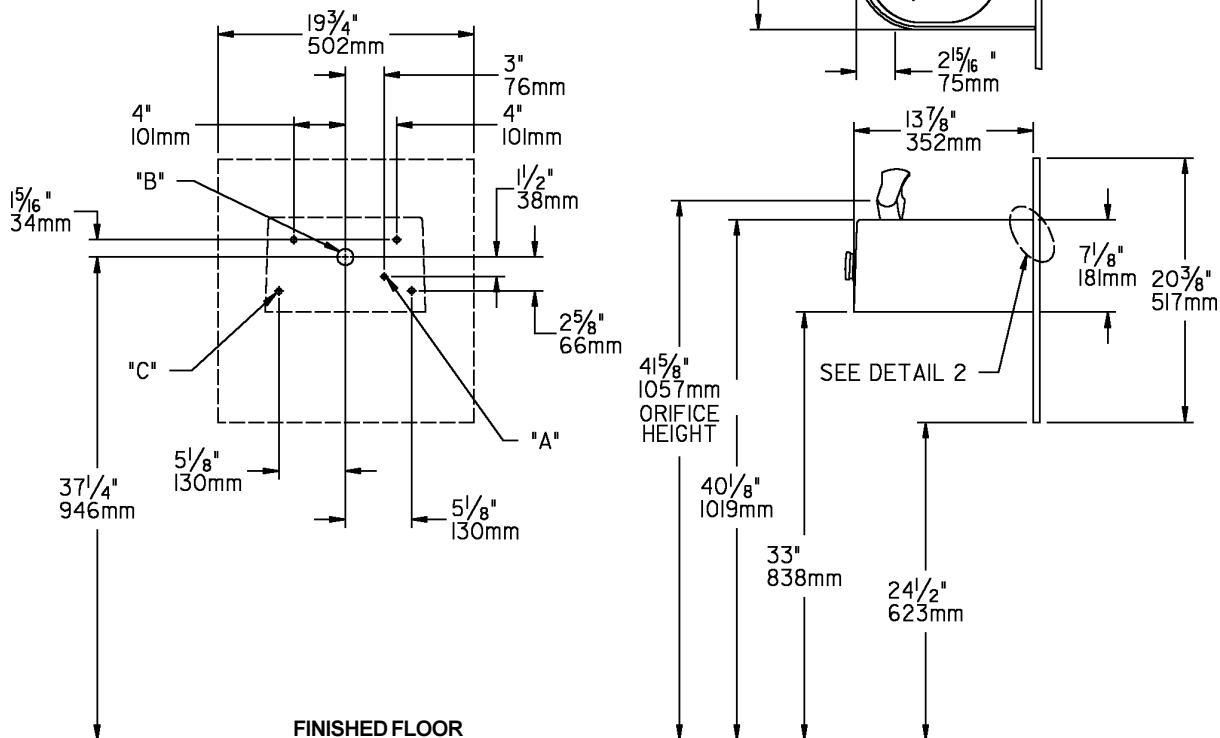
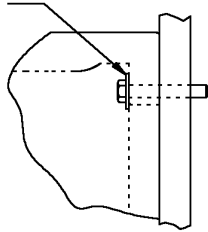
## IMPORTANT! INSTALLER PLEASE NOTE.

THE GROUNDING OF ELECTRICAL EQUIPMENT SUCH AS TELEPHONE, COMPUTERS, ETC. TO WATER LINES IS A COMMON PROCEDURE. THIS GROUNDING MAY BE IN THE BUILDING OR MAY OCCUR AWAY FROM THE BUILDING. THIS GROUNDING CAN CAUSE ELECTRICAL FEEDBACK INTO A FOUNTAIN, CREATING AN ELECTROLYSIS WHICH CAUSES A METALLIC TASTE OR AN INCREASE IN THE METAL CONTENT OF THE WATER. THIS CONDITION IS AVOIDABLE BY USING THE PROPER MATERIALS AS INDICATED. ANY DRAIN FITTINGS PROVIDED BY THE INSTALLER SHOULD BE MADE OF PLASTIC TO ELECTRICALLY ISOLATE THE FOUNTAIN FROM THE BUILDING PLUMBING SYSTEM.



WASHERS REQUIRED TO MINIMIZE BREAKAGE OF FOUNTAIN (TYP. ALL 4 MOUNTING BOLTS)

**DETAIL 2**



**FIG. 4**

**LEGEND:**

- A = RECOMMENDED WATER SUPPLY LOCATION 3/8 O.D. UNPLATED COPPER TUBE CONNECT
- B = RECOMMENDED LOCATION FOR WASTE OUTLET 1-1/4" O.D. DRAIN
- C = MOUNTING HOLES FOR SECURING FOUNTAIN TO WALL

**WARNING: WALL MOUNTING SURFACE MUST BE SMOOTH AND EVEN. DISTORTION TO BACK PANEL DUE TO ATTACHMENT TO AN UNEVEN SURFACE WILL RESULT IN DAMAGE AND/OR BREAKAGE OF THE BACK PANEL.**

**CARE AND MAINTENANCE OF ELKAY COMPOSITE FOUNTAINS**

Elkay Composite fountain provides an extremely durable, nonporous surface which resists staining. Care is very simple. Routine cleaning with a soft sponge or cloth, or with water or non-abrasive aerosol foam cleaner, is all that is normally needed to give many years of trouble free service. Cleaners left standing on the fountain surface can dull the surface finish. Be certain to rinse all cleaning agents completely and polish with a soft cloth.

Harsh abrasive cleaners are not required and should not be used.

Mild abrasives such as liquid automotive cleaning compound or baking soda paste will remove simple scratches and stains. Cigarette burns can normally be removed without noticeable effect. Deeper scratches or gouges can be corrected with fine grit sandpaper (240 grit then 400 grit) or a green Scotchbrite pad.

To maintain or regain luster and make cleaning easier, periodic applications of automobile wax or like products will keep the finish looking like new.

This page left blank intentionally.

PARTS LIST		
ITEM NO.	PART NO.	DESCRIPTION
1	LK464	Drain
2	112627543890	Screw - 10-24 x 1/2" PHTC
3	15005C	Retaining Nut
4	27201C	Bottom - Cover (EDFPW210JC)
5	45362C	Strainer - Beehive (Gold)
6	40045C	Hex Nut
7	45358C	Ferrule - Drain
8	45366C	Push Button - (Gold)
9	45751C	Push Button Sleeve (Gold)
10	50986C	Regulator Holder
11	45382C	Orifice Assy (Gold)
12	56087C	Push Button Extension
13	55973C	Fountain - Green Marble (EDFPW210JC)
14	61313C	Regulator
15	66399C	Tube Assy - Bubbler
16	70022C	Set Screw - #6-32 x 5/16"
17	55996C	Strainer
18	75554C	Threaded Insert
19	45387C	Bubbler Assy
20	A55139	Bubbler (Gold)
21	100322740560	Gasket - Black
22	70012C	Locknut - 3/8 -18
23	55978C	Back Panel (EDFPW210JC)
24	45736C	Nut - Regulator Mounting

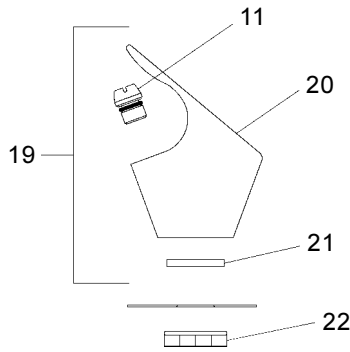
## TROUBLE SHOOTING & MAINTENANCE

**Orifice Assy:** Mineral deposits on orifice can cause water flow to spurt or not regulate. Mineral deposits may be removed from the orifice with a small round file not over 1/8" diameter or small diameter wire.

**CAUTION:** Do not file or cut orifice material.

**Stream Regulator:** If orifice is free of material deposits, regulate flow as in instructions on page 2 (Step 7). If replacement is necessary, see parts list for correct regulator part number.

**Actuation of Quick Connect Water Fittings:** Cooler is provided with lead-free connectors which utilize an o-ring water seal. To remove tubing from the fitting, relieve water pressure, push in on the gray collar while pulling on the tubing. (See Figure 2, Page 1). To insert tubing, push tube straight into fitting until it reaches a positive stop, approximately 3/4".



NOTE: When installing replacement bubbler, tighten nut (item 22) Only to hold parts snug in position. **DO NOT OVER TIGHTEN.**

FIG. 4

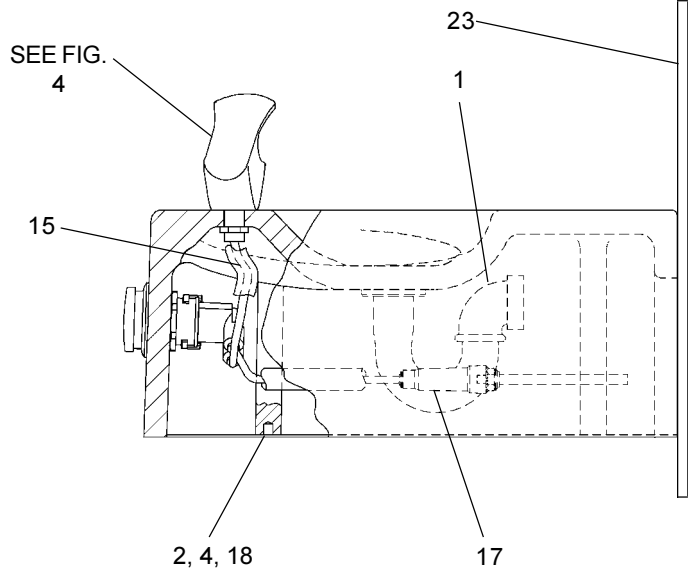
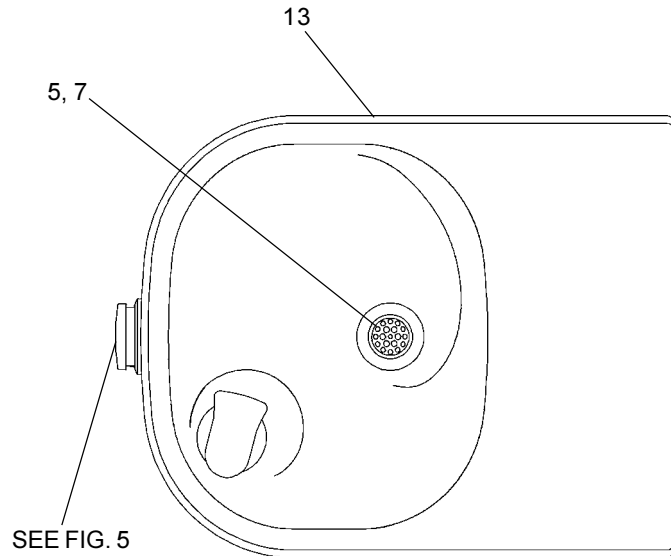


FIG. 6

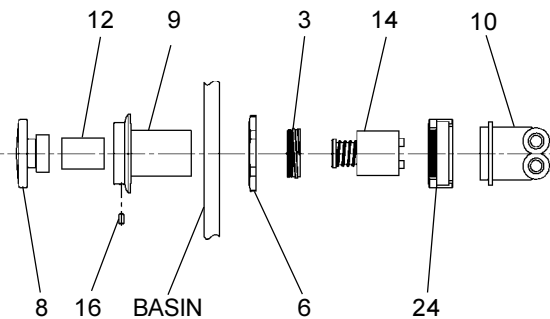


FIG. 5

FOR PARTS, CONTACT YOUR LOCAL DISTRIBUTOR OR CALL 1.800.323.0620

PRINTED IN U.S.A. ELKAY MANUFACTURING COMPANY • 2222 CAMDEN COURT • OAK BROOK, IL 60523 • 630.574.8484