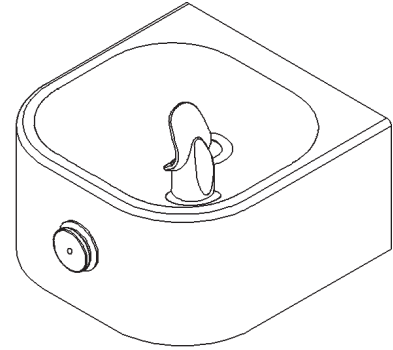
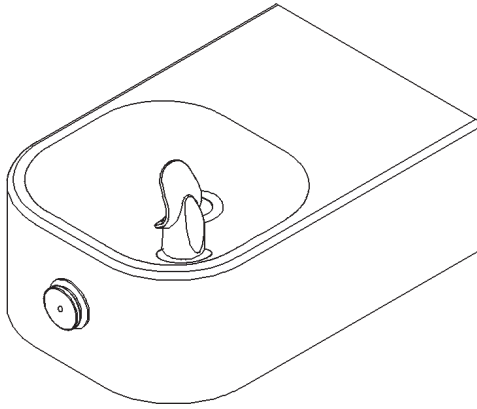


Installation/Care/Use Manual

Composite Non-Refrigerated Fountains



Installer

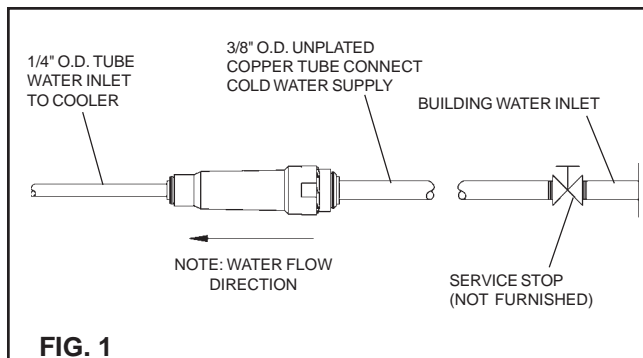
To assure you install this model easily and correctly, PLEASE READ THESE SIMPLE INSTRUCTIONS BEFORE STARTING THE INSTALLATION. CHECK YOUR INSTALLATION FOR COMPLIANCE WITH PLUMBING, ELECTRICAL AND OTHER APPLICABLE CODES. After installation, leave these instructions inside the fountain for future reference.

IMPORTANT

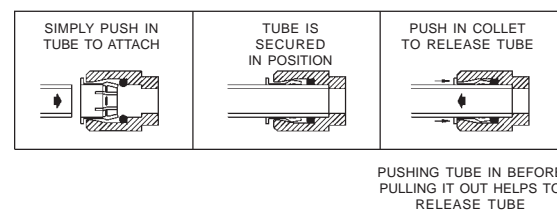
ALL SERVICE TO BE PERFORMED BY AN AUTHORIZED SERVICE PERSON

IMPORTANT! INSTALLER PLEASE NOTE.

THE GROUNDING OF ELECTRICAL EQUIPMENT SUCH AS TELEPHONE, COMPUTERS, ETC. TO WATER LINES IS A COMMON PROCEDURE. THIS GROUNDING MAY BE IN THE BUILDING OR MAY OCCUR AWAY FROM THE BUILDING. THIS GROUNDING CAN CAUSE ELECTRICAL FEEDBACK INTO A FOUNTAIN, CREATING AN ELECTROLYSIS WHICH CAUSES A METALLIC TASTE OR AN INCREASE IN THE METAL CONTENT OF THE WATER. THIS CONDITION IS AVOIDABLE BY USING THE PROPER MATERIALS AS INDICATED. ANY DRAIN FITTINGS PROVIDED BY THE INSTALLER SHOULD BE MADE OF PLASTIC TO ELECTRICALLY ISOLATE THE FOUNTAIN FROM THE BUILDING PLUMBING SYSTEM.



OPERATION OF QUICK CONNECT FITTINGS



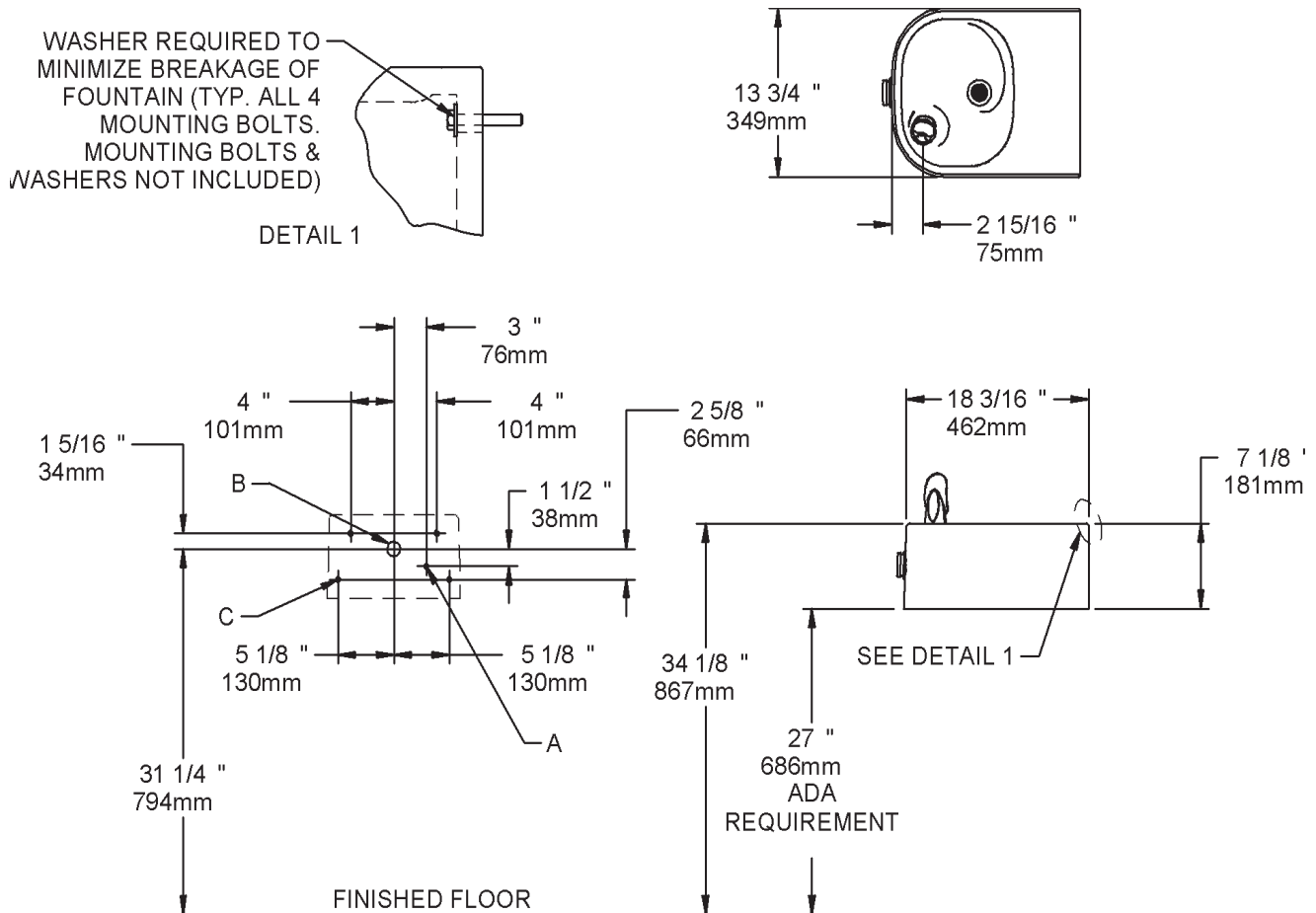


FIG. 3

LEGEND:

- A = RECOMMENDED WATER SUPPLY LOCATION 3/8 O.D. UNPLATED COPPER TUBE CONNECT
 B = RECOMMENDED LOCATION FOR WASTE OUTLET 1-1/4" O.D. DRAIN
 C = MOUNTING HOLES FOR SECURING FOUNTAIN TO WALL

INSTALLATION INSTRUCTIONS

1. **Wall should already be framed for the fountain** using the positioning dimensions shown in Figures 3 and 4. Shown dimension pertain to installation location (framing must support up to 150 lbs. weight).
2. **Install rough-in plumbing** as shown in Figures 3 and 4. Run supply water inlet line and connect to a service stop (not provided). Turn on supply water and flush thoroughly. Close water supply.
3. **Remove bottom access panel** from fountain basin and save the screws. Install the fountain to the wall using (4) 5/16" bolts and washers (not provided). Bolts should be long enough to securely fasten the fountain to the wall. Tighten securely, but do not over tighten. Over tightening will crack the Composite Fountain.
4. **Remove elbow from end of p-trap** (item 1) and attach it to drain tube. Re-attach elbow to p-trap and cut waste tube to required length using plumbing hardware and trap as guide.
5. **Make water supply connections** from service stop to the fountain strainer (item 16) by inserting the water inlet line into the inlet side of strainer until it reaches a positive stop about 3/4", (See Figure 2, Page 1). Turn on water supply and check for leaks. Newly installed water supply line should be insulated after leak check is completed. **DO NOT SOLDER TUBES INSERTED INTO THE STRAINER AS DAMAGE TO THE O-RINGS MAY RESULT.**
6. **These products are designed** to operate on 20-105 PSIG supply line pressure. If inlet pressure is above 105 PSIG, a pressure regulator must be installed in the supply line. Any damage caused by reason of connecting these products to supply line pressure lower than 20 PSIG or higher than 105 PSIG is not covered by warranty.
7. **Check stream height from bubbler.** Stream height is factory set at 45-50 PSI. If supply pressure varies greatly from this, adjust the screw on regulator (item 14) by using a small screwdriver through the small hole in the push button (item 8)(See Figure 7, Page 4). Clockwise adjustment will raise stream height and counter-clockwise adjustment will lower stream height. For best adjustment stream height should be approximately 1" (25mm) above the bubbler guard.
8. **Replace bottom access panel** to fountain basin using screws provided. Tighten securely.

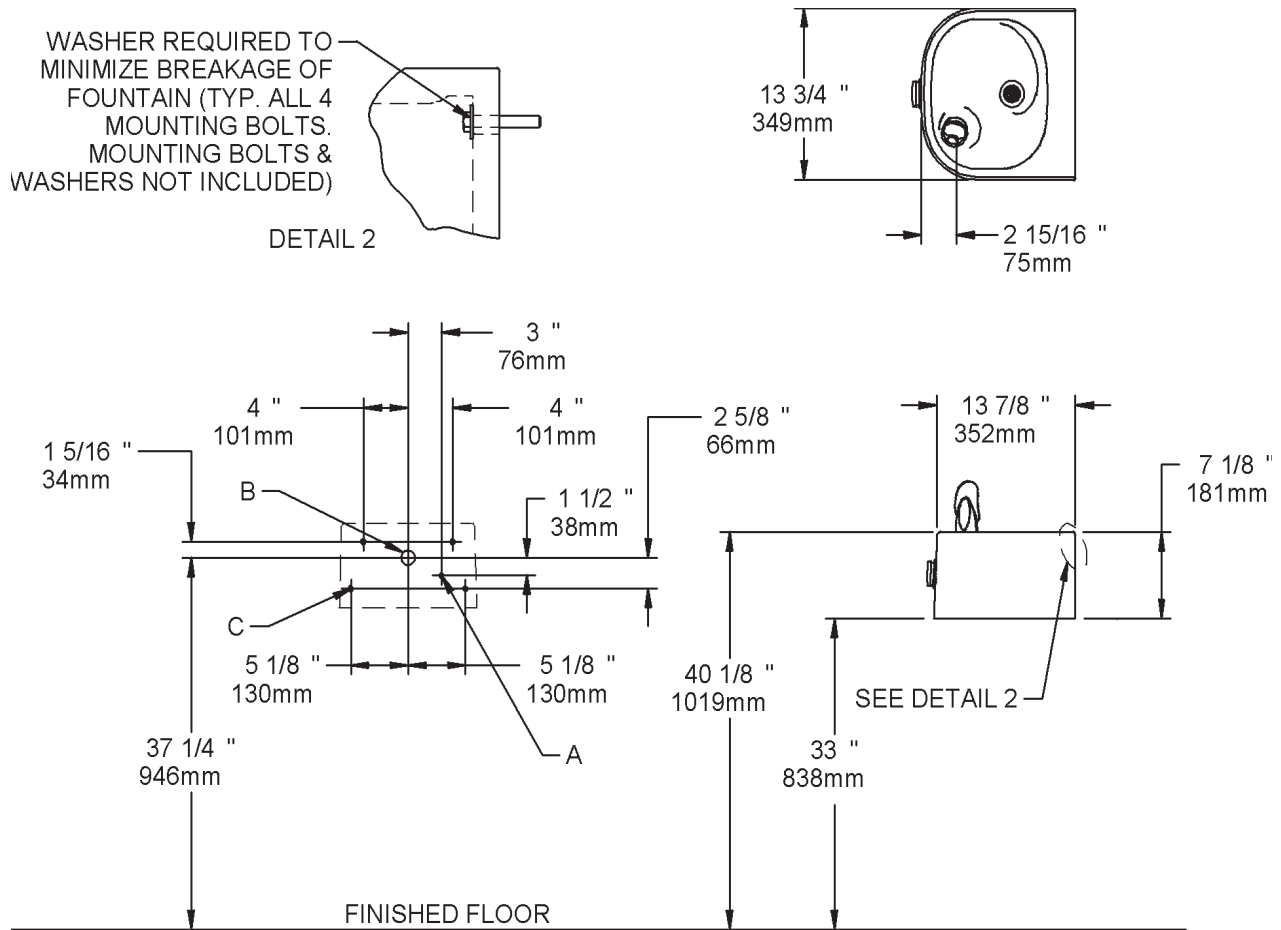


FIG. 4

LEGEND:

- A = RECOMMENDED WATER SUPPLY LOCATION 3/8 O.D. UNPLATED COPPER TUBE CONNECT
- B = RECOMMENDED LOCATION FOR WASTE OUTLET 1-1/4" O.D. DRAIN
- C = MOUNTING HOLES FOR SECURING FOUNTAIN TO WALL

CARE AND MAINTENANCE OF ELKAY COMPOSITE FOUNTAINS

Elkay Composite fountain provides an extremely durable, nonporous surface which resists staining. Care is very simple. Routine cleaning with a soft sponge or cloth, or with water or non-abrasive aerosol foam cleaner, is all that is normally needed to give many years of trouble free service. Cleaners left standing on the fountain surface can dull the surface finish. Be certain to rinse all cleaning agents completely and polish with a soft cloth.

Harsh abrasive cleaners are not required and should not be used.

Mild abrasives such as liquid automotive cleaning compound or baking soda paste will remove simple scratches and stains. Cigarette burns can normally be removed without noticeable effect. Deeper scratches or gouges can be corrected with fine grit sandpaper (240 grit then 400 grit) or a green Scotchbrite pad.

To maintain or regain luster and make cleaning easier, periodic applications of automobile wax or like products will keep the finish looking like new.

PARTS LIST		
ITEM NO.	PART NO.	DESCRIPTION
1	LK464	Drain
2	112627543890	Screw - 10-24 x 1/2" PHTC
3	15005C	Retaining Nut
4	27658C	Bottom - Cover (EDFP214)
	27201C	Bottom - Cover (EDFP210)
5	40038C	Strainer - Beehive
6	40045C	Hex Nut
7	40619C	Ferrule - Drain
8	45662C	Push Button
9	45738C	Push Button Sleeve
10	50986C	Regulator Holder
11	A54874	Orifice Assy
12	56087C	Push Button Extension
13	56053C	Fountain - Gray Granite (EDFP214RC)
	55969C	Fountain - Gray Granite (EDFP210RC)
	56055C	Fountain - Black Granite (EDFP214EC)
	55963C	Fountain - Black Granite (EDFP210EC)
14	61313C	Regulator
15	75672C	Screw -Cap #6-32 x 5/16"
16	55996C	Strainer
17	75554C	Threaded Insert
18	56011C	Housing - Bubbler
19	55998C	Pedestal - Bubbler
20	75553C	Locknut - 3/8 -18
21	98118C	Bubbler Assy (VR Model Only)
22	75575C	Ball - Anti Rotational
23	70012C	Nut - Lock 3/8-18 (VR Model Only)
24	45736C	Nut - Regulator Mounting
25	15029C	Nipple Assembly
NS	56092C	Poly Tubing (Cut To Length)

TROUBLE SHOOTING & MAINTENANCE

Orifice Assy: Mineral deposits on orifice can cause water flow to spurt or not regulate. Mineral deposits may be removed from the orifice with a small round file not over 1/8" diameter or small diameter wire.

CAUTION: Do not file or cut orifice material.

Stream Regulator: If orifice is free of material deposits, regulate flow as in instructions on page 2 (Step 7). If replacement is necessary, see parts list for correct regulator part number.

Actuation of Quick Connect Water Fittings: Cooler is provided with lead-free connectors which utilize an o-ring water seal. To remove tubing from the fitting, relieve water pressure, push in on the gray collar while pulling on the tubing.(See Figure 2, Page 1). To insert tubing, push tube straight into fitting until it reaches a positive stop, approximately 3/4".

FIG. 5

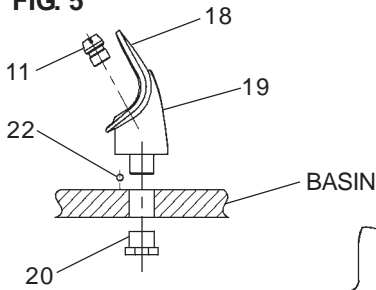
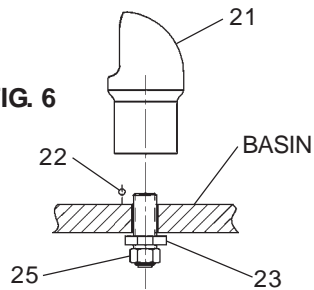


FIG. 6



NOTE: When installing replacement bubbler, tighten nut (item 20, 23 & 25) Only to hold parts snug in position. **DO NOT OVER TIGHTEN.**

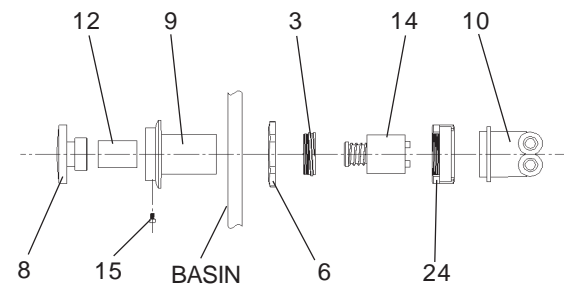


FIG. 7

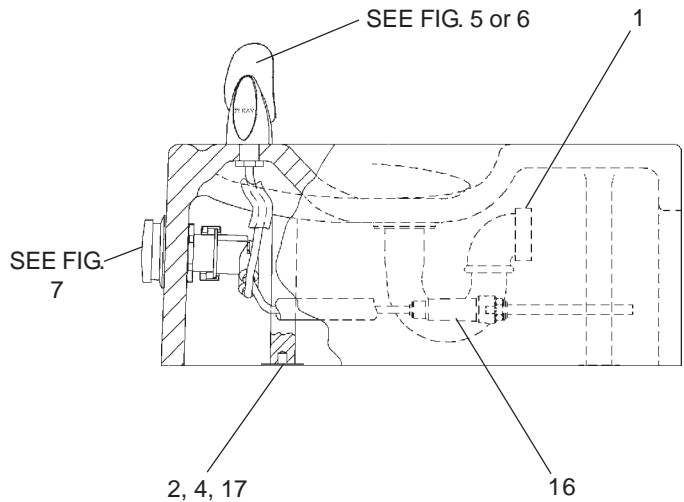
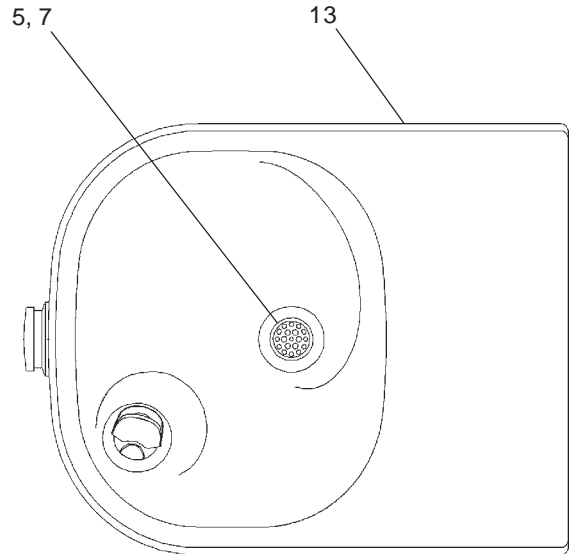


FIG. 8

FOR PARTS, CONTACT YOUR LOCAL DISTRIBUTOR OR CALL 1.800.323.0620

PRINTED IN U.S.A. ELKAY MANUFACTURING COMPANY • 2222 CAMDEN COURT • OAK BROOK, IL 60523 • 630.574.8484