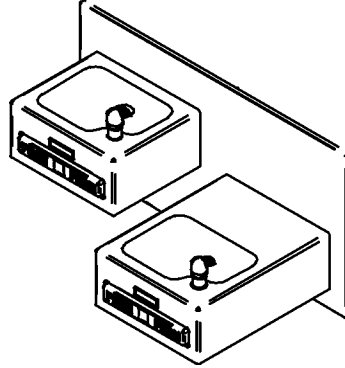


Installation/Care/Use Manual

EDFPA17FPC Freeze Resistant Fountain



EDFPA17FPC

Installer

To assure you install this model easily and correctly, PLEASE READ THESE SIMPLE INSTRUCTIONS BEFORE STARTING THE INSTALLATION. CHECK YOUR INSTALLATION FOR COMPLIANCE WITH PLUMBING, ELECTRICAL AND OTHER APPLICABLE CODES. After installation, leave these instructions inside the fountain for future reference. This Freeze Resistant Fountain is shipped in two separate cartons. The second carton contains the Freeze Resistant Package **LK616A** that is installed on an interior heated wall. Refer to the Freeze Resistant Package for the rough-in dimensions for installation.

IMPORTANT

ALL SERVICE TO BE PERFORMED BY AN AUTHORIZED SERVICE PERSON

IMPORTANT! INSTALLER PLEASE NOTE.

THE GROUNDING OF ELECTRICAL EQUIPMENT SUCH AS TELEPHONE, COMPUTERS, ETC. TO WATER LINES IS A COMMON PROCEDURE. THIS GROUNDING MAY BE IN THE BUILDING OR MAY OCCUR AWAY FROM THE BUILDING. THIS GROUNDING CAN CAUSE ELECTRICAL FEEDBACK INTO A FOUNTAIN, CREATING AN ELECTROLYSIS WHICH CAUSES A METALLIC TASTE OR AN INCREASE IN THE METAL CONTENT OF THE WATER. THIS CONDITION IS AVOIDABLE BY USING THE PROPER MATERIALS AS INDICATED. ANY DRAIN FITTINGS PROVIDED BY THE INSTALLER SHOULD BE MADE OF PLASTIC TO ELECTRICALLY ISOLATE THE FOUNTAIN FROM THE BUILDING PLUMBING SYSTEM.

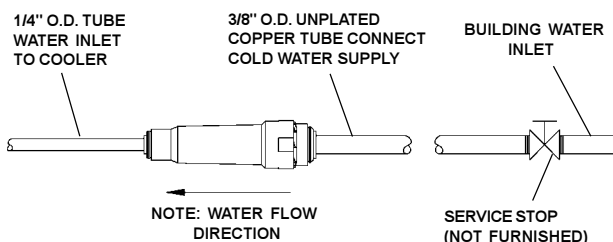
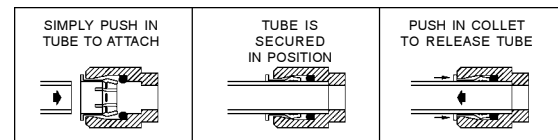


FIG. 1

OPERATION OF QUICK CONNECT FITTINGS



PUSHING TUBE IN BEFORE PULLING IT OUT HELPS TO RELEASE TUBE

FIG. 2

EDFPA17FPC ROUGH-IN

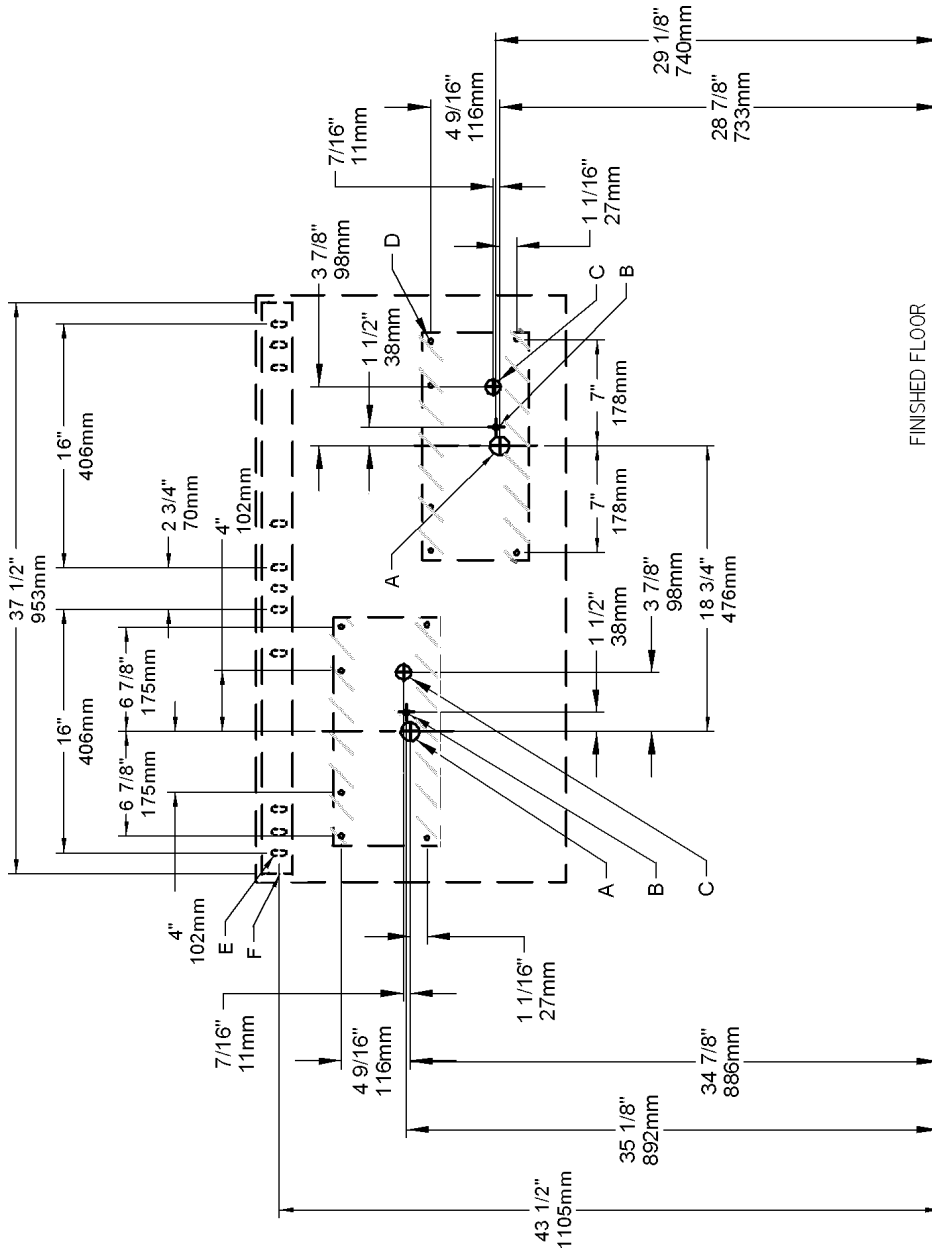


FIG. 3

LEGEND:

- A = 1-3/4" (44mm) DIA. HOLE FOR WASTE LINE
- B = 7/8" (22mm) DIA. HOLE FOR WATER SUPPLY TUBE
- C = 1" (25mm) DIA. HOLE FOR PUSH ROD
- D = 1/4" (6mm) DIA. HOLE FOR MOUNTING FOUNTAIN TO WALL
- E = 5/16" (8mm) DIA. HOLE FOR MOUNTING HANGER TO WALL
- F = WALL HANGER FURNISHED LOOSE

*Note: All dimensions are taken from the finished floor on the side of the wall that the fountain is installed on.

NOTE: REINFORCE WALL IN SHADED AREAS.

EDFPA17FPC W/MOUNTING PLATE ROUGH-IN

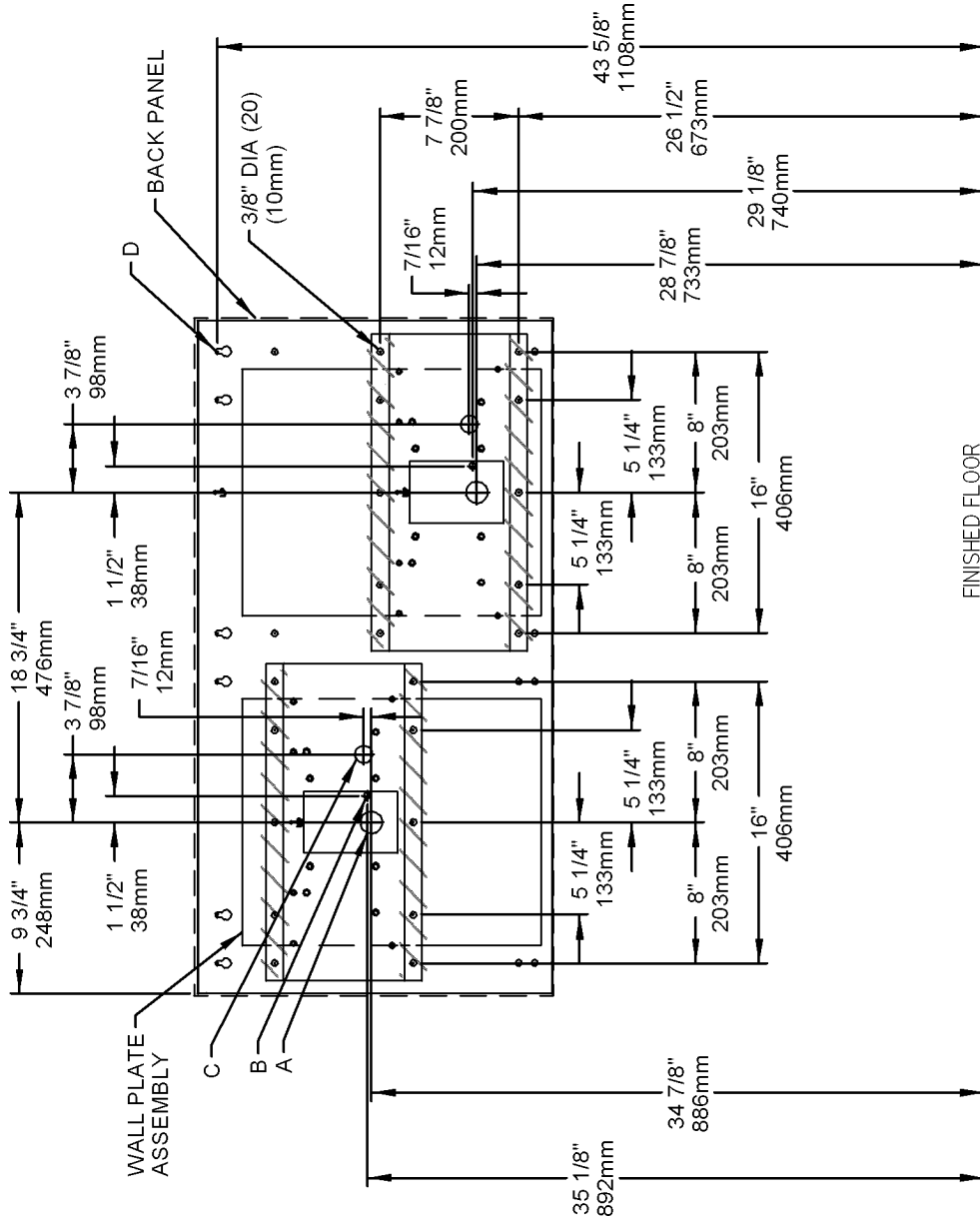


FIG. 4

LEGEND:

- A = 1-3/4" (44mm) DIA. HOLE FOR WASTE LINE
- B = 7/8" (22mm) DIA. HOLE FOR WATER SUPPLY TUBE
- C = 1" (25mm) DIA. HOLE FOR PUSH ROD
- D = 1/4" (6mm) DIA. HOLE FOR MOUNTING PLATE TO WALL

*Note: All dimensions are taken from the finished floor on the side of the wall that the fountain is installed on.

NOTE: REINFORCE WALL IN SHADED AREAS.

EDFPA17FPC ROUGH-IN

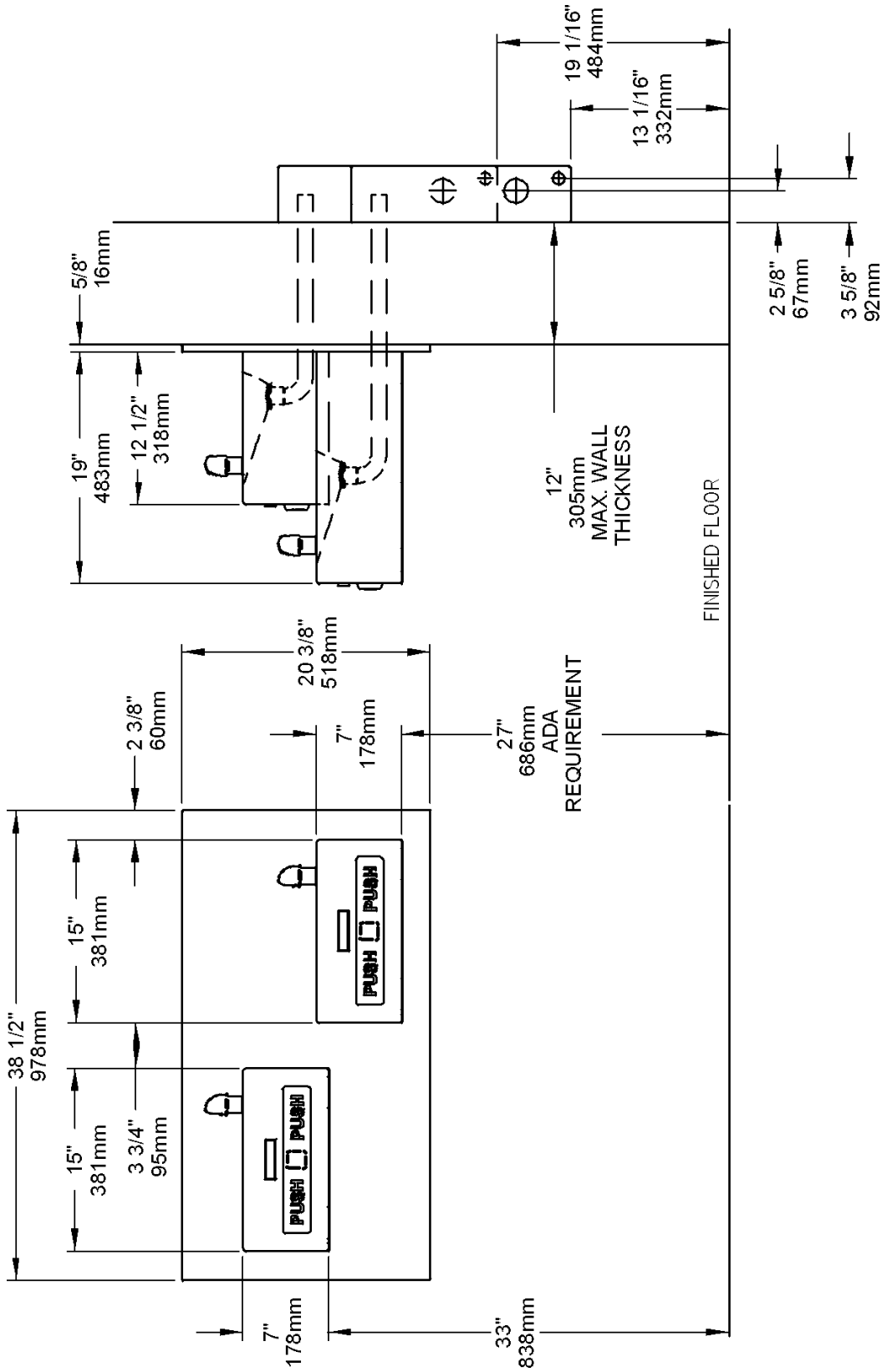


FIG. 5

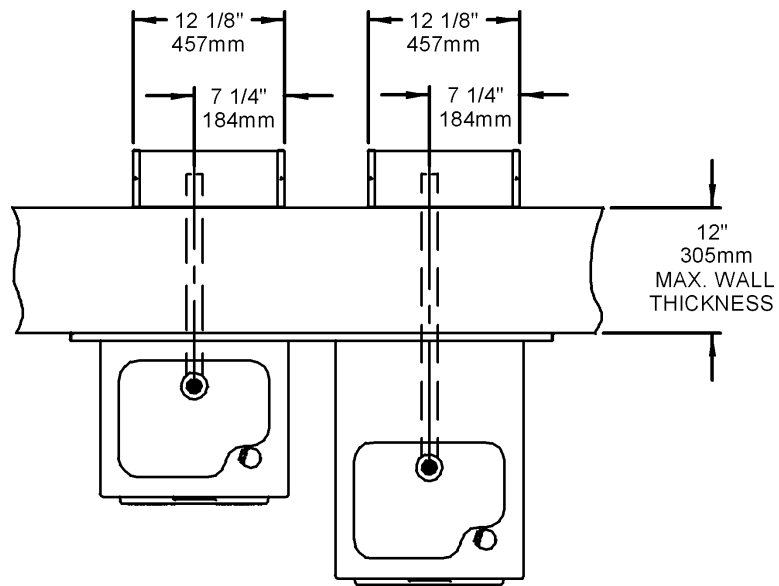


FIG. 6

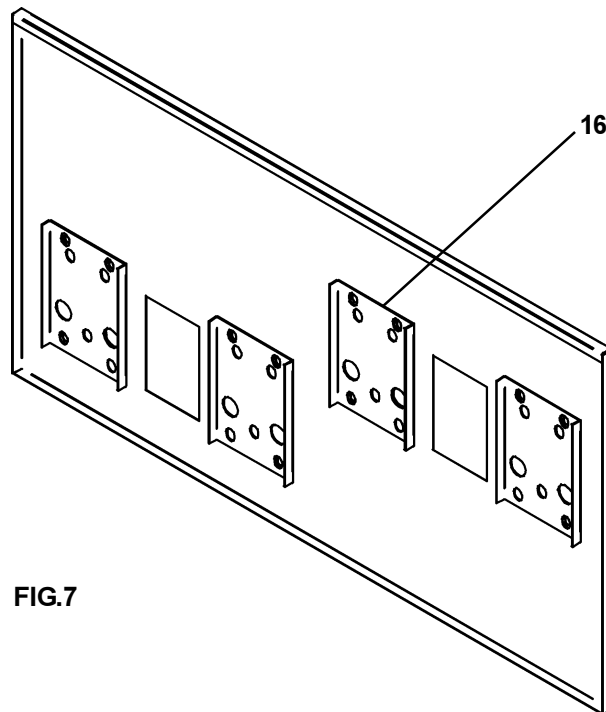


FIG.7

Installing back panel: When installing back panel without mounting plate accessory, attach (4) channel braces as shown in Fig. 7. Remove the protective backing from the tape installed on the brace. Line up the corresponding holes in the brace and back panel and press firmly in place.

INSTALLATION INSTRUCTIONS

- 1. Wall should** already be framed for the fountain using the positioning dimensions shown in Figure 3 or 4. Shown dimensions pertain to installation location (framing must support up to 300 lbs. weight). These dimensions are required for compliance with ANSI Standard A117.1/ADA requirements.
- 2. Install back panel.**
EDFPA17FPC: Place the upper edge of the panel above hanger bracket.
EDFPA17FPC W/MOUNTING PLATE: Place the upper edge of the panel above mounting plate on the wall. Slide the panel down until it engages the mounting plate. Be sure back panel is firmly engaged before releasing it.
- 3. Remove bottom covers** from fountains and save the screws. Assemble push rods to fountains. See Fig. 9. (Push rods provided with freeze-resistant boxes).
- 4. Secure the fountains** to the wall.
EDFPA17FPC: Install the fountain to the back panel using (2) bolts and washers (not provided) per each fountain. Next secure the fountain bodies and back panel to the wall using (4) bolts and washers (not provided) per each fountain. Tighten securely.
EDFPA17FPC W/MOUNTING PLATE: Install the fountains to the back panel using (2) bolts and washers (provided) per each fountain. Next secure the fountain bodies to the back panel using (4) bolts and washers (provided) per each fountain. Tighten securely.
- 5. Attach drain tubes** (supplied with freeze-resistant box) to fountains and cut to required length using freeze resistant box as a guide.
- 6. Install freeze-resistant box** - see box instructions.
- 7. Install a service stop** (not provided) and make water supply connection from the stop to the strainers in the freeze-resistant box.
- 8. Connect fountain water line** to freeze-resistant box - see box instructions. Replace bottom covers.

(THIS PAGE INTENTIONALLY LEFT BLANK)

PARTS LIST		
ITEMNO.	PARTNO.	DESCRIPTION
1	CP10	COVER PLATE
2	CP14	COVER PLATE
3	55001082	FOUNTAIN BODY ASSEMBLY
4	55001083	FOUNTAIN BODY ASSEMBLY
5	21696C	BRACKET-PUSH BAR MTG.-EH
6	21705C	CLIP-PUSH ROD
7	21708C	PUSH BAR ASSY-BUFFED
8	45392C	BUBBLER
9	10322740560	GASKET
10	50198C	BSHNG-SNAP .125ID
11	15009C	NIPPLE ASSEMBLY
12	28225C	BACK PANEL
13	70002C	SCREW-#10 X .50 HHSM
14	70278C	ROD-SUPPORT
15	75555C	CLIP-.125 STUD LOCK
16	28234C	BRACE - CHANNEL
*17	72000833	WASTE ARM ASSEMBLY
NS	27090C	BRKT - HANGER PANEL
NS	56092C	POLY TUBING (CUT TO LENGTH)

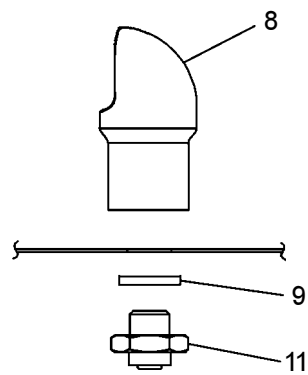


FIG. 8

* PARTS ARE SUPPLIED WITH FREEZE RESISTANT BOX

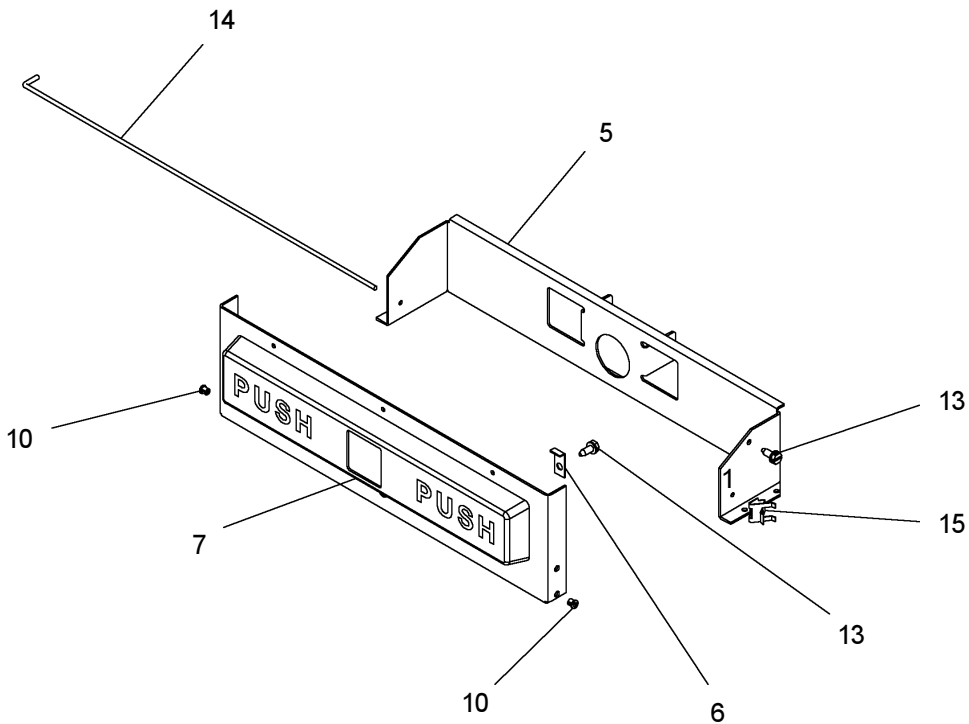
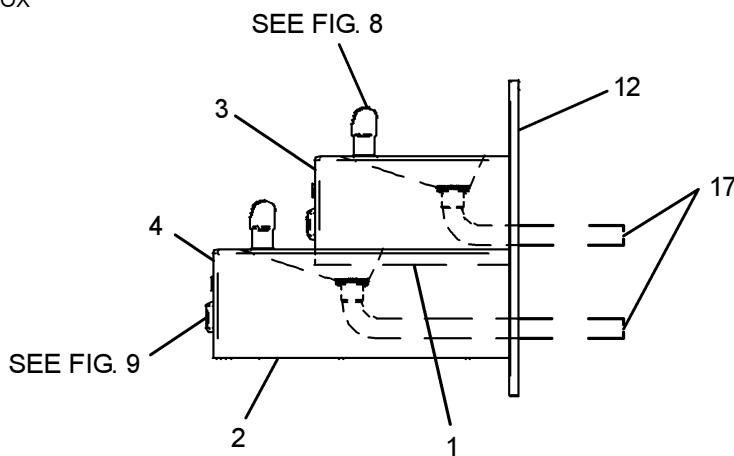


FIG. 9

FOR PARTS, CONTACT YOUR LOCAL DISTRIBUTOR OR CALL 1.800.323.0620
 ELKAY MANUFACTURING COMPANY • 2222 CAMDEN COURT • OAK BROOK, IL 60523 • 630.574.8484