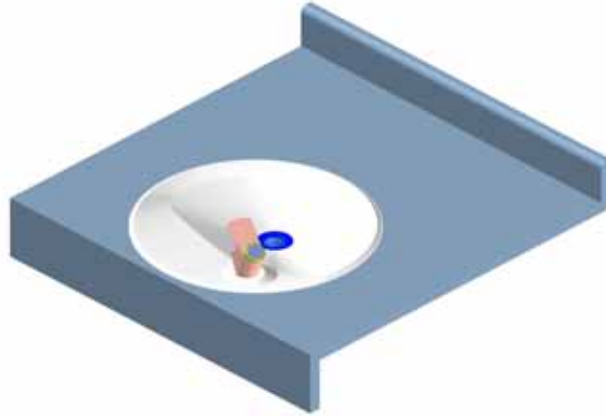







ELKAY With FLEXI-GUARD[®]
INSTALLATION, CARE & USE MANUAL

Countertop Fountains



INSTALLER

-  **CAUTION:** Review these instructions before beginning installation. Be sure that installation conforms to all plumbing, electrical and other applicable codes.
-  **WARNING:** When installation is complete, ensure these instructions are left in the plastic bag provided inside the installed unit for future reference.
-  **WARNING:** Service to be performed by authorized service personnel only.

NOTE: It is common practice to ground electrical hardware such as telephones, computers and other devices to available water lines. This can, however, cause electrical feedback in the plumbing circuit, which results in an “electrolysis” effect occurring in the fountain. This may result in water which has a metallic taste to it or has a noticeable increase in the metallic content of the water.

When inspecting plumbing circuit, remember the line may be grounded some distance from the installation, and may occur outside the building or area in which the unit is being installed.

This condition can be avoided (in most cases) by using recommended materials during installation. Any drain fittings provided by the installer should be made of **plastic** which will electronically isolate the fountain from the remainder of the building’s plumbing circuits.

DRKR14C

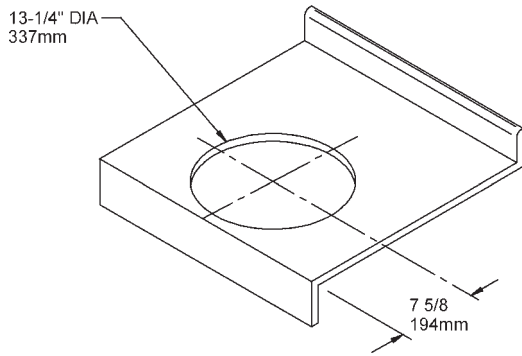


Figure 1



Figure 2

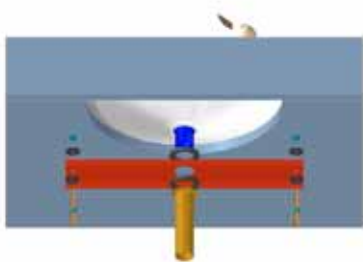
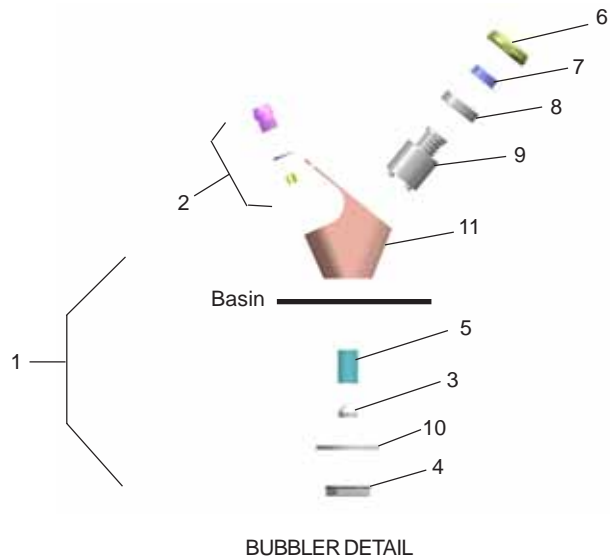


Figure 3

1. Make 13-1/4" (337mm) diameter cutout in desired location on countertop. Maintain the 7-5/8" (194mm) dimension from the front edge for ADA compliance. (See Figure 1)
2. Install bubbler assembly to fountain. Align recess in underside of bubbler with dimple in fountain. (See Figure 2)
3. Apply caulk (not provided) around cutout and waste opening.
4. Place fountain over opening and drop in strainer. (See Figure 2)
5. From underside, position and secure tiedown bracket using waste fitting. (See Figure 3)
6. Use screws with nuts and washers (provided) to tighten unit to countertop. Wipe off excess caulking. (See Figure 3)
7. Determine required length of waste line and cut to appropriate length. 1-1/4" O.D. waste tube furnished. 1-1/4" slip trap, waste elbow and extension not provided.
8. Make water supply connections from service stop to the 3/8" O.D. unplated brass nipple coming out of the bubbler. Turn on water supply and check for leaks. Newly installed water supply line should be insulated after leak check is completed.
9. These products are designed to operate on 20-105 PSIG supply line pressure. If the supply pressure is above 105 PSIG, a pressure regulator must be installed in the supply line. Any damage caused by reason of connecting these products to supply line pressures lower than 20 PSIG or higher than 105 PSIG is not covered by warranty.



NOTE:

When installing replacement bubbler and pedestal, tighten nut (Item 4) only to hold parts snug in position. Do Not Overtighten.

Figure 4 - Bubbler Details

DRKR14C

Accepts Countertop
Thickness Up To 1-5/8"

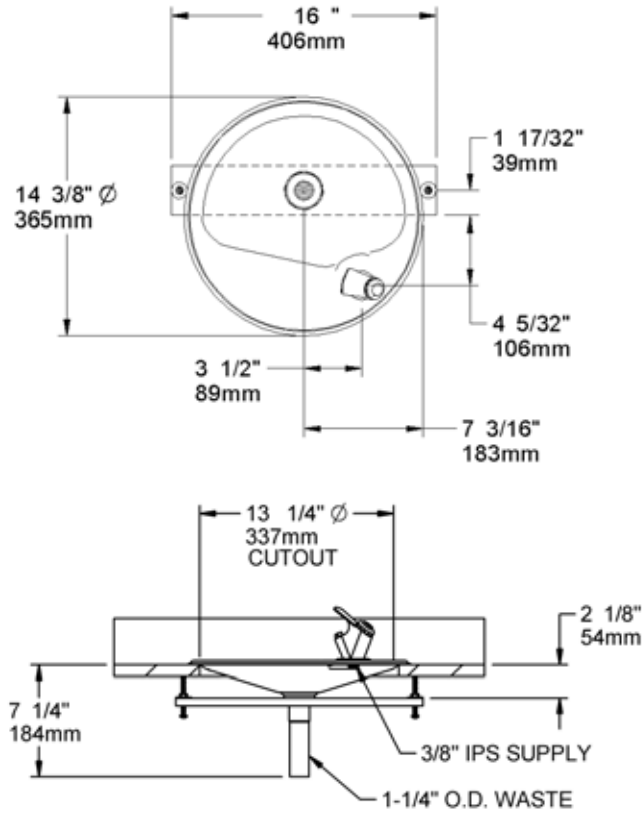


Figure 5

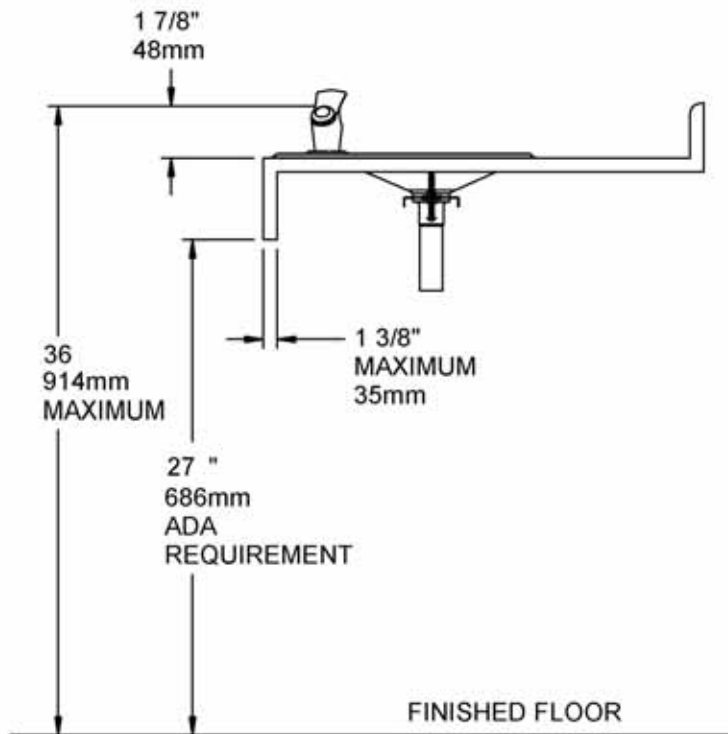


Figure 6

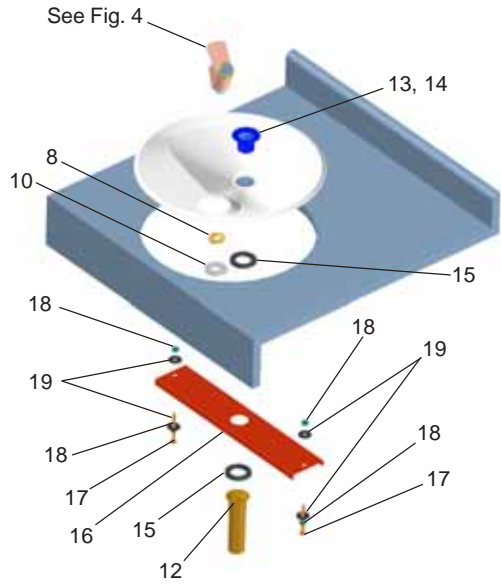


Figure 7

TROUBLESHOOTING & MAINTENANCE

Orifice Assembly: Mineral deposits on orifice can cause water flow to spurt or not regulate. Mineral deposits may be removed from the orifice by poking with a small round file not over 1/8" diameter, or using a small diameter wire.

CAUTION: DO NOT file or cut orifice material.

Stream Regulator: If orifice is clean, regulate flow as in Step 10, Page 2 of the installation instructions. If replacement is necessary, see parts list for correct regulator part number.

PARTS LIST		
ITEM NO.	PART NO.	DESCRIPTION
1	LK142	Bubbler Assembly
2	40322C	Orifice Assmbly
3	A54888	Screen
4	70012C	Nut - 3/8-18 Lock nut
5	A54800	Nipple - Lead Free
6	40089C	Nut Cover Cap
7	40048C	Button Cap
8	10031C	Retaining Nut
9	61313C	Regulator Assembly
10	72460042	Metal Washer
11	45675C	Bubbler Body
12	LK128	Complete Drain Fitting
13	40038C	Grid Strainer
14	40619C	Strainer Body
15	50074C	Rubber Washer
16	55000963	Tie Down Bracket
17	74080022	1/4-20 x 2-1/2 Screw
18	74080005	1/4-20 Hex Nut
19	74080006	1/4 Washer