

Installation/Care/Use Manual

USES HFC-134A REFRIGERANT

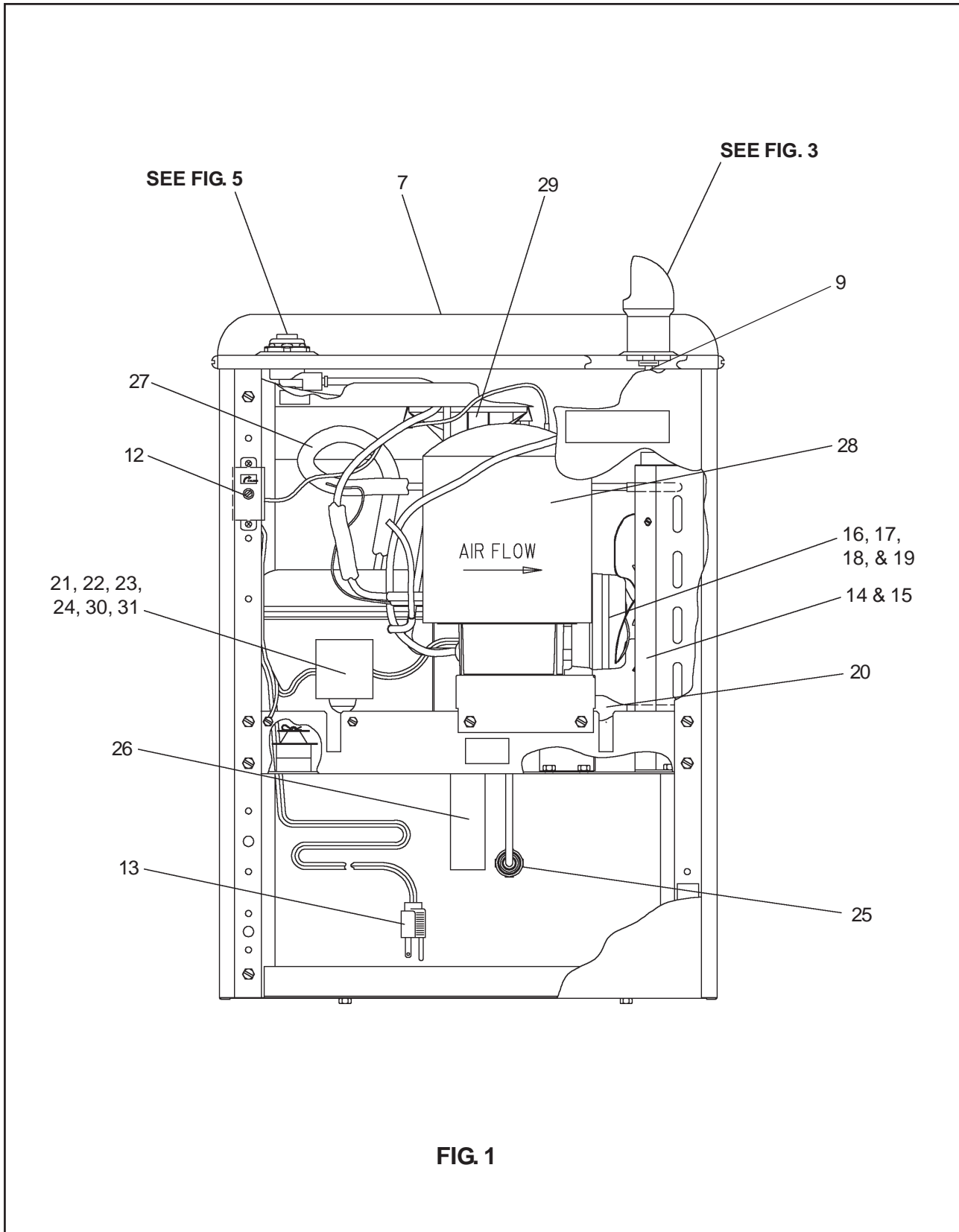


FIG. 1

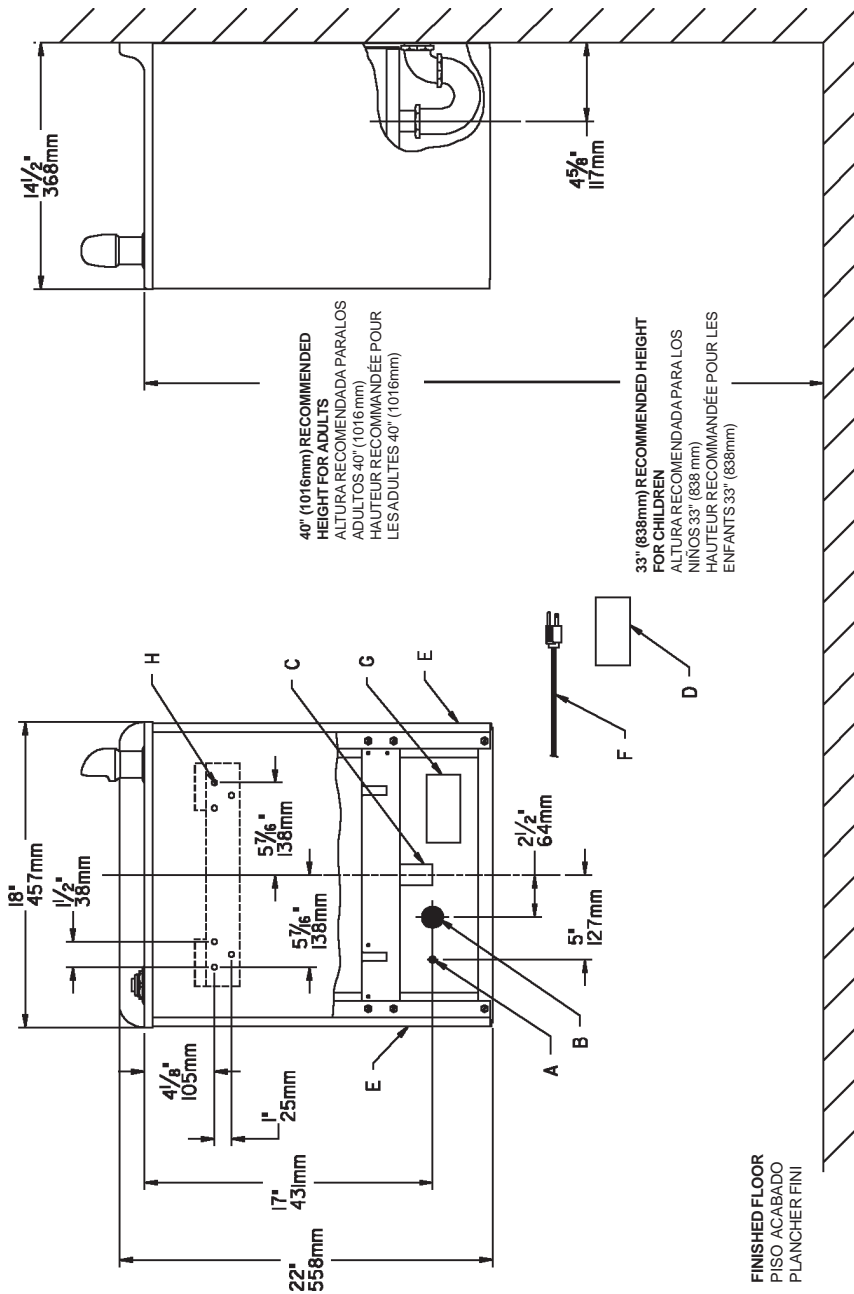


FIG. 2

LEGEND/LEYENDA/LÉGENDE
A = RECOMMENDED WATER SUPPLY LOCATION 3/8 O.D. UNPLATED COPPER TUBE CONNECT STUB OUT 1-1/2 IN. (38mm) FROM WALL SHUT OFF BY OTHERS
 SE RECOMIENDA UBICAR EL TUBO CORTO DE CONEXIÓN AL TUBO DE COBRE SIN CHAPAR DE 3/8" DE DIÁM. EXT. A 1-1/2" (38mm) FUERA DE LA LLAVE DE PASO EN LA PARED COLOCADA POR TERCEROS.
 EEMPLACEMENT RECOMMANDÉ D'ALIMENTATION EN EAU PAR TUBE EN CUIVRE NON PLAQUÉ DE 3/8 PO. (9.5mm) D.E. CONNECTANT UNE TUYAUTERIE DE 1-1/2 PO. (38mm) DEPUIS LE ROBINET D'ARRÊT FOURNI PAR D'AUTRES.

B = RECOMMENDED LOCATION FOR WASTE OUTLET, 1-1/4" O.D. DRAIN
 UBICACIÓN RECOMENDADA PARA EL DRENAJE DE SALIDA DE AGUA, DE 1 1/4" DE DIÁMETRO.
 EEMPLACEMENT RECOMMANDÉ POUR LE DRAIN DE D.E. 1-1/4" DE SORTIE D'EAU.

C = 1-1/4" TRAP NOT FURNISHED
 PURGADOR DE 1 1/4" NO PROPORCIONADO
 SIPHON 1-1/4" NON FOURNI

D = ELECTRICAL OUTLET LOCATION
 UBICACIÓN DE LA TOMA DE ELECTRICIDAD
 EEMPLACEMENT DE LA PRISE DE COURANT

E = INSURE PROPER VENTILATION BY MAINTAINING 4" (102mm) (MIN.) CLEARANCE FROM CABINET LOUVERS TO WALL.
 ASEGURE UNA VENTILACIÓN ADECUADA MANTENIENDO UN ESPACIO E 4" (102mm) (MÍN.) DE HOLGURA ENTRE LA REJILLA DE VENTILACIÓN DEL MUEBLE Y LA PARED
 ASSUREZ-VOUS UNE BONNE VENTILATION EN GARDANT 4" (102mm) (MIN.) ENTRE LES ÉVÉNENTS DE L'ENCEINTE ET LE MUR.

F = POWER CORD 1-1/2" (457mm) LONG
 CABLE ELÉCTRICO DE 1-1/2" (457mm) DE LARGO
 CORDON D'ALIMENTATION 1-1/2" (457mm)

G = ALT. ELECTRICAL OUTLET LOCATION
 UBICACIÓN ALT. DE LA TOMA DE ELECTRICIDAD
 EEMPLACEMENT ALTERNATIF DE LA PRISE DE COURANT

H = 5/16" (8mm) SCREW HOLES IN MOUNTING PLATE
 AGUJEROS DE TORNILLO 5/16" (8mm) EN LA PLACA DE MONTAJE
 TROUS DE VIS 5/16" (8mm) DANS LA PLAQUE DE MONTAGE

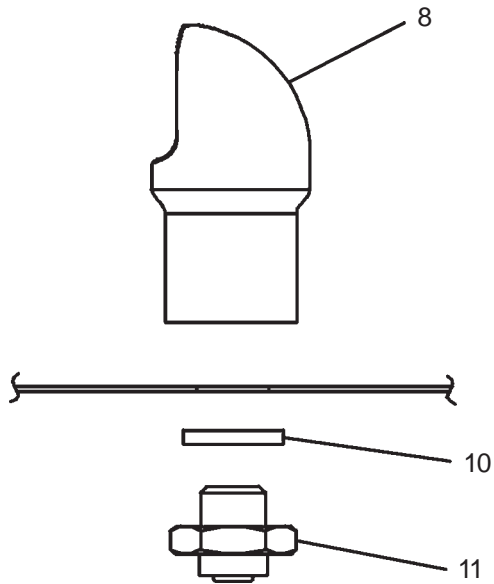


FIG. 3

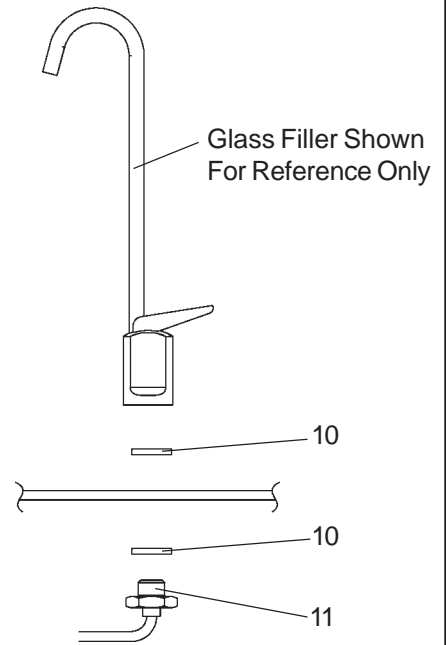


FIG. 4

Stream height is factory set at 35 PSI. If supply pressure varies greatly from this, remove items 1 & 2 and adjust screw on item 4. Clockwise adjustment will raise stream and counter-clockwise adjustment will lower stream. For best adjustment, stream should hit basin approximately 6-1/2" (165mm) from bubbler.

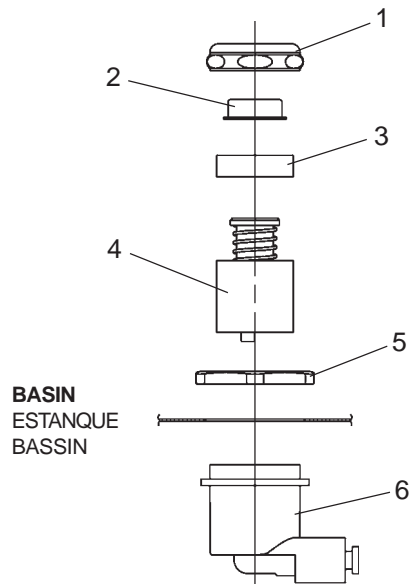


FIG. 5

PARTS LIST 115V

ITEM NO.	PART NO.	DESCRIPTION
1	40089C	Cover
2	40048C	Button
3	15005C	Regulator Retaining Nut
4	61313C	Regulator
5	40169C	Hex Nut
6	50986C	Regulator Holder
7	20776C	Basin
8	98118C	Bubbler Assembly
9	56092C	Poly Tubing (Cut To Length)
10	100322740560	Bubbler Washer
11	15009C	Bubbler Nipple
12	31513C	Cold Control
13	36208C	Power Cord (5 GPH)
	35888C	Power Cord (10 GPH)
14	66417C	Condenser (5 GPH)
	66432C	Condenser (10 GPH)
15	21516C	Fan Shroud
16	31490C	Fan Motor (5 GPH)
	31492C	Fan Motor (10 GPH)
17	30664C	Fan Blade
18	20239C	Fan Bracket
19	70018C	Fan Blade Nut
20	66202C	Drier (5 GPH)
	66203C	Drier (10 GPH)
*21	35762C	Compressor Serv. Pak 5 GPH
	35775C	Compressor Serv. Pak 10 GPH
22	31027C	Overload/Relay Assy. (5 GPH)
	35840C	Overload (10 GPH)
23	31797C	Relay Cover (5 GPH)
	35768C	Relay Cover (10 GPH)
24	194243901550	Electrical Shield
25	55996C	Strainer
26	45702C	Tailpipe Assy
27	66229C	Heat Exchanger (5 GPH)
	66445C	Heat Exchanger (10 GPH)
28	66505C	Evaporator (5 GPH)
	66506C	Evaporator (10 GPH)
29	50368C	Receptor-Drain
30	35843C	Relay (10 GPH)
31	35845C	Capacitor (10 GPH)
NS	27023C	Wall Bracket

*INCLUDES RELAY & OVERLOAD. IF UNDER WARRANTY, REPLACE WITH SAME COMPRESSOR USED IN ORIGINAL ASSEMBLY.

NOTE: All correspondence pertaining to any of the above water coolers or orders for repair parts MUST include Model No. and Serial No. of cooler, name and part number of replacement part.

COLOR TABLE	LEFT PANEL	RIGHT PANEL	FRONT PANEL
Gray Beige	20646C	20647C	20684C
Stainless Steel	20648C	20649C	20681C
Sandalwood	21466C	21467C	21456C
Light Gray	27178C	27181C	27154C