

Space-ette™ With FLEXI-GUARD® Installation/Care/Use Manual USES HFC-134A REFRIGERANT

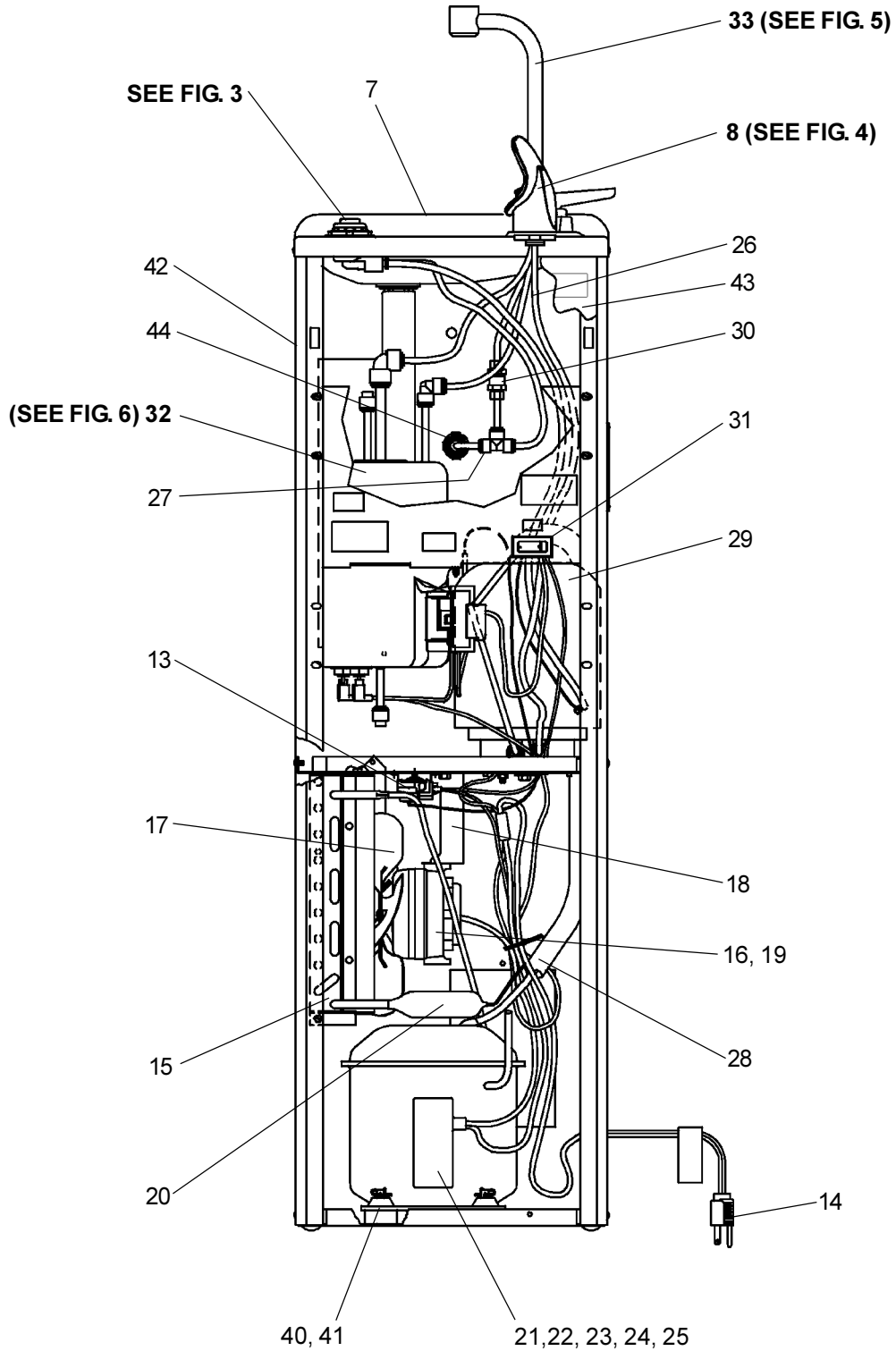


FIG. 1

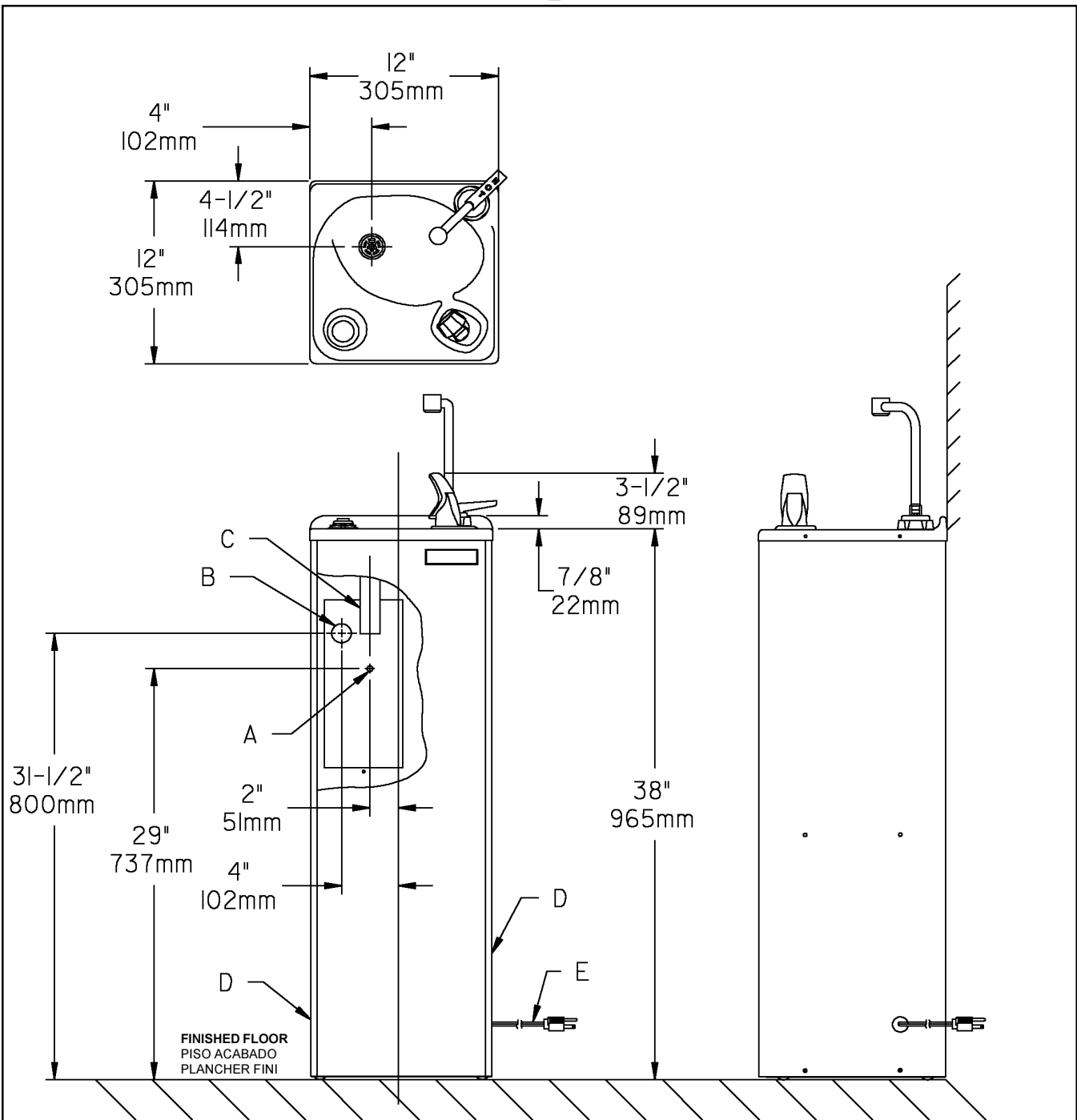


FIG. 2

LEGEND/LEYENDA/LÉGENDE

A = RECOMMENDED WATER SUPPLY LOCATION 3/8 O.D. UNPLATED COPPER TUBE CONNECT STUB 1-1/2" (38mm) OUT FROM WALL SHUT OFF BY OTHERS

SE RECOMIENDA UBICAR EL TUBO DE CONEXIÓN AL TUBO DE COBRE SIN CHAPAR DE 3/8" DE DIAM. EXT. A 1-1/2" (38mm) FUERA DE LA LAVA DE PASO EN LA PARED COLOCADA POR TERCEROS.

EMPLACEMENT RECOMMANDÉ D'ALIMENTATION EN EAU PAR TUBE EN CUIVRE NON PLAQUÉ DE 3/8 PO. (9,5mm) D.E. CONNECTANT UNE TUYAUTERIE DE 1-1/2 PO. (38mm) DEPUIS LE ROBINET D'ARRÊT FOURNI PAR D'AUTRES.

B = RECOMMENDED LOCATION FOR WASTE OUTLET 1-1/4" O.D. DRAIN

UBICACIÓN RECOMENDADA PARA EL DRENAJE DE SALIDA DE AGUA, DE 1-1/4" DE DIÁMETRO.

EMPLACEMENT RECOMMANDÉ POUR LE DRAIN DE D.E. 1-1/4" DE SORTIE D'EAU.

C = 1-1/4 TRAP NOT FURNISHED

PURGADOR DE 1-1/4 NO PROPORCIONADO

SIPHON 1-1/4 NON FOURNI

D = INSURE PROPER VENTILATION BY MAINTAINING 4" (102mm) (MIN.) CLEARANCE FROM CABINET LOUVERS TO WALL.

ASEGURE UNA VENTILACIÓN ADECUADA MANTENIENDO UN ESPACIO E 4" (102mm) (MÍN.) DE HOLSURA ENTRE LA REJILLA DE VENTILACIÓN DEL MUEBLE Y LA PARED

ASSUREZ-VOUS UNE BONNE VENTILATION EN GARDANT 4" (102mm) (MIN.) ENTRE LES ÉVENTS DE L'ENCEINTE ET LE MUR.

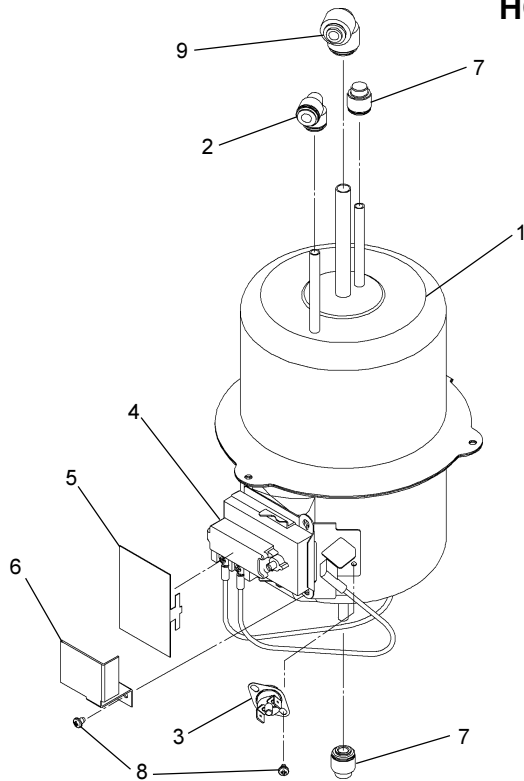
E = POWER CORD 4 FEET (1219mm) LONG

CABLE ELÉCTRICO DE 4 PIE (1219mm), DE LARGO

CORDON D'ALIMENTATION 4' (1219mm)

HOT TANK ASSEMBLY

FIG. 6



HOT TANK PARTS LIST

ITEM NO.	PART. NO.	DESCRIPTION
1	A54731	Hot Tank Weldment Assy. 115V
2	70793C	1/4 Elbow
3	A54729	Thermostat
4	30511C	Hot Control
5	50226C	Hot Control Insulator
6	28365C	Thermostat Bracket
7	70606C	Drain Plug
8	70302C	Screw #6-32 x 3/16" PHTC
9	70836C	3/8 x 1/4 Elbow
NS	28369C	Hot Tank Assy. Mntg. Bracket

Stream height is factory set at 35 PSI. If supply pressure varies greatly from this, remove Items 1 & 2 and adjust screw on Item 4. Clockwise adjustment will raise stream and counter-clockwise adjustment will lower stream. For best adjustment, stream should hit basin approximately 6-1/2" (165mm) from bubbler.

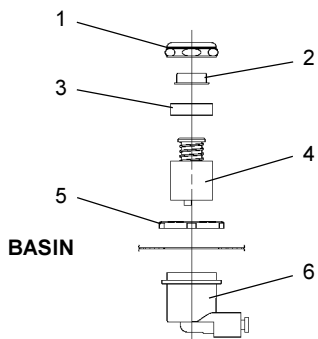
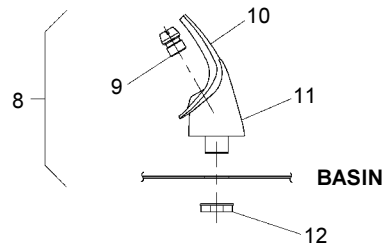


FIG. 3



NOTE:
WHEN INSTALLING REPLACEMENT BUBBLER AND PEDESTAL, TIGHTEN NUT (ITEM 12) ONLY TO HOLD PARTS SNUG IN POSITION. DO NOT OVER TIGHTEN.

FIG. 4

WIRING DIAGRAM

This Drawing is merely for illustrating the components of the electrical system.

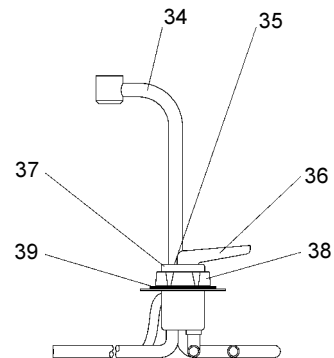
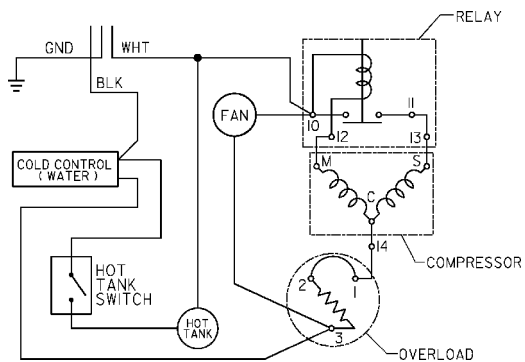


FIG. 5

PARTS LIST 115V

ITEM NO.	PART NO.	DESCRIPTION
1	40089C	Cover
2	40048C	Button
3	15005C	Regulator Retaining Nut
4	61313C	Regulator
5	40169C	Hex Nut
6	50986C	Regulator Holder
7	27843C	Basin & Drain Assy
8	56073C	Bubbler Assy
9	40322C	Orifice Assy
10	56011C	Housing Assy
11	55997C	Pedestal
12	75580C	Nut - 3/8"-18 Locking
13	31513C	Cold Control
14	36133C	Power Cord
15	66303C	Condenser
16	31490C	Fan Motor
17	30664C	Fan Blade
18	20282C	Fan Bracket
19	70018C	Fan Blade Nut
20	66201C	Drier
21*	35787C	Compressor Serv. Pak PW4.5HK11
22	36158C	Overload
23	35768C	Cover - Relay
24	194243901550	Electrical Shield
25	36163C	Relay
26	56092C	Poly Tubing (Cut To Length)
27	70682C	Fitting - Tee 1/4
28	66301C	Heat Exchanger
29	66505C	Evaporator
30	55832C	Flow Regulator Assy.
31	36101C	Hot Tank Switch
32	36154C	Hot Tank Assy
33	45786C	Hot Valve Assy
34	40597C	Gooseneck
35	92712C	Hot Valve Kit
36	51543C	Handle
37	40596C	Shroud
38	70921C	Mounting Nut
39	33659000	Body Gasket
40	50144C	Grommet-Compressor
41	70418C	Washer-Compressor
42	21486C	Cabinet-Sandalwood
	21239C	Cabinet-Stainless Steel
	28196C	Cabinet-Light Grey
43	21482C	Front Panel-Sandalwood
	20460C	Front Panel-Stainless Steel
	21959C	Front Panel-Light Grey
44	55996C	Strainer

*REPLACE WITH SAME COMPRESSOR USED IN ORIGINAL ASSEMBLY. NOTE: All correspondence pertaining to ELKAY water coolers or orders for repair parts MUST include Model No. and Serial No. of cooler, name and part number of replacement part.