

With FLEXI-GUARD®

Installation/Care/Use Manual

USES HFC-134A REFRIGERANT

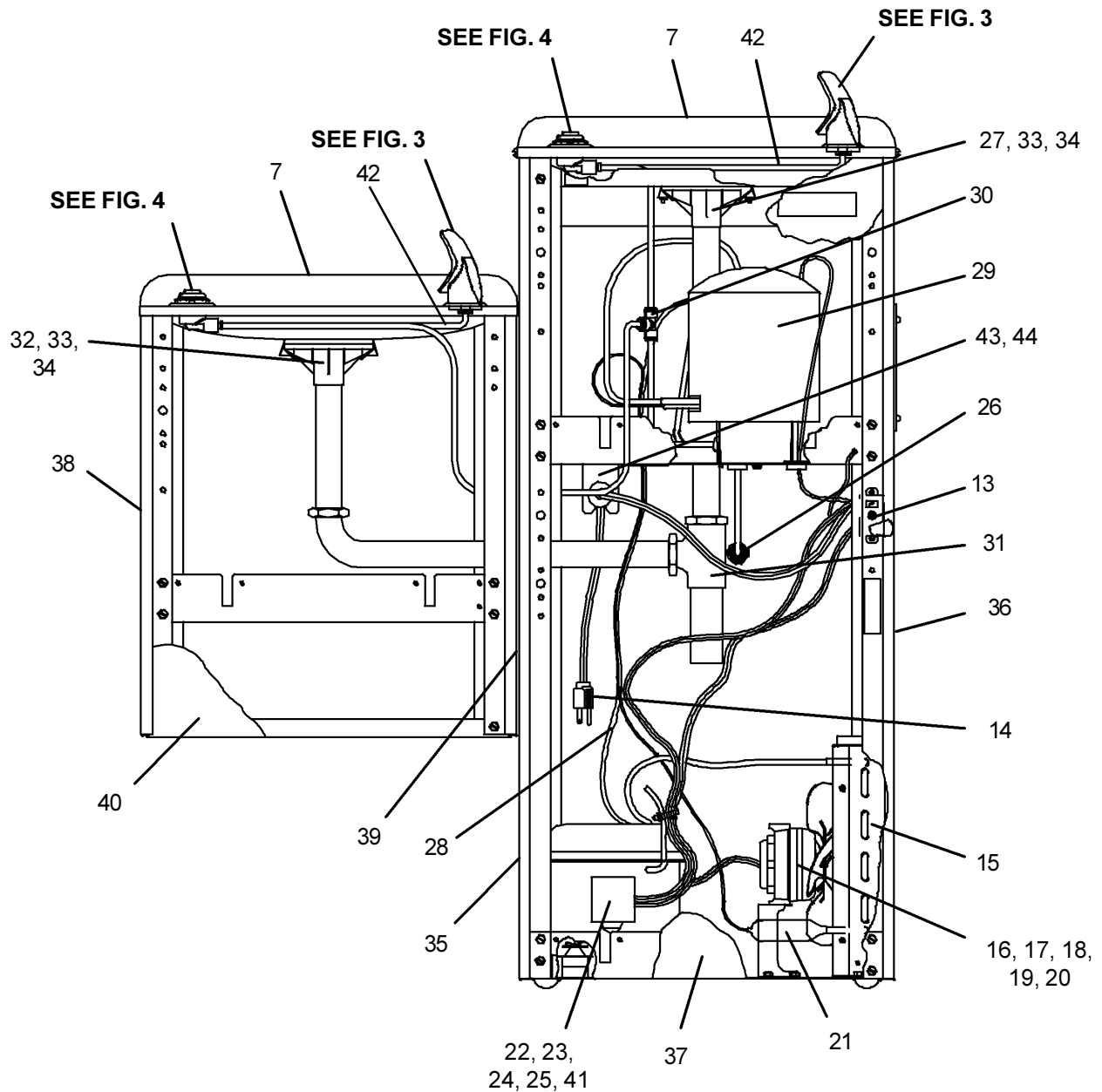


FIG. 1

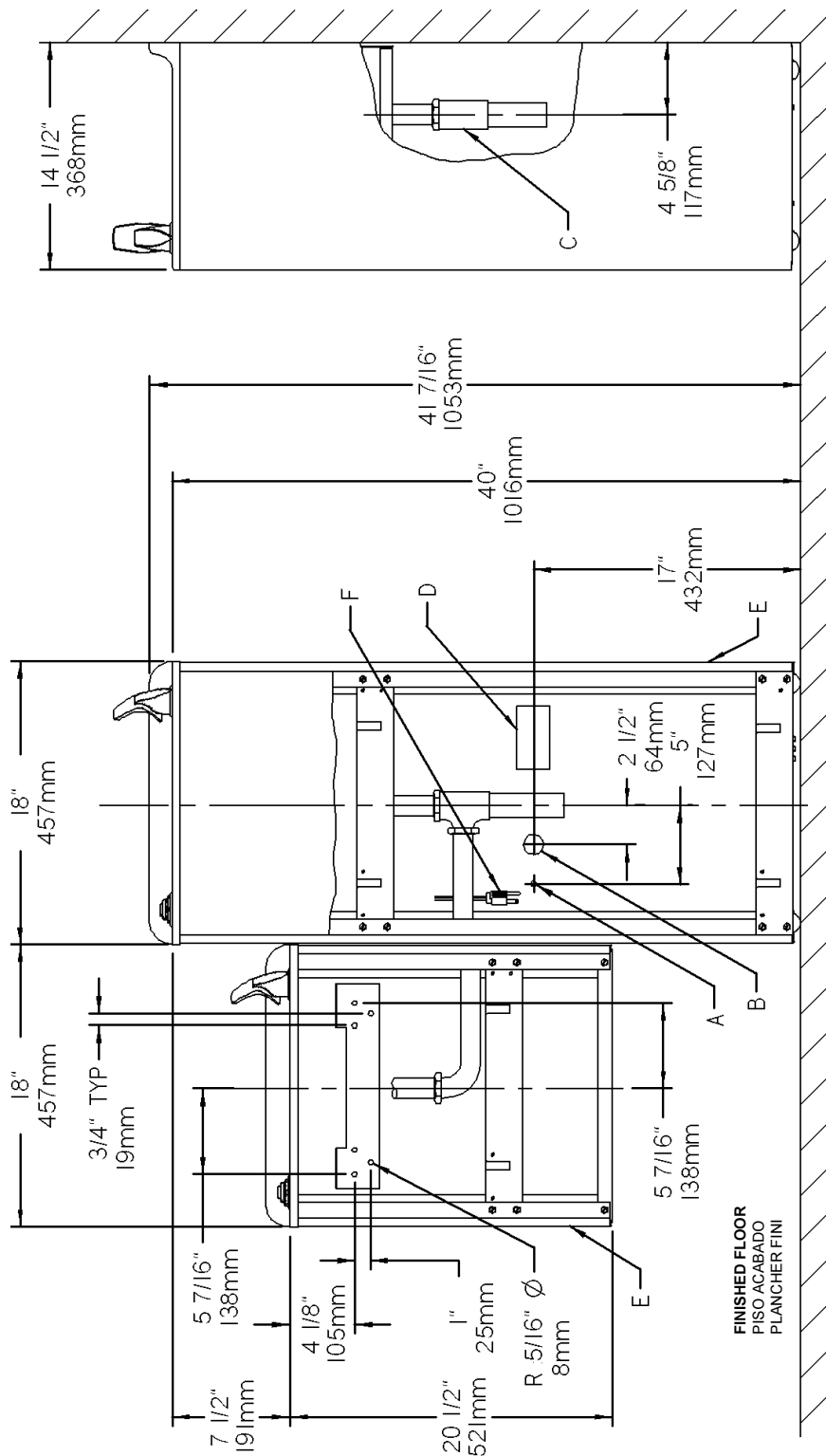


FIG 2

LEGEND/LEYENDA/LÉGENDE

A = RECOMMENDED WATER SUPPLY LOCATION 3/8 O.D. UNPLATED COPPER TUBE CONNECT STUB 1-1/2 IN. (38mm) OUT FROM WALL SHUT OFF BY OTHERS
 SE RECOMIENDA UBICAR EL TUBO CORTO DE CONEXIÓN AL TUBO DE COBRE SIN CHAPAR DE 3/8" DE DIAM. EXT. A 1-1/2" (38mm) FUERA DE LA LLAVE DE PASEO EN LA PARED COLOCADA POR TERCEROS.
 EMPLACEMENT RECOMMANDÉ D'ALIMENTATION EN L'EAU PAR TUBE EN CUIVRE NON PLAQUÉ DE 3/8 PO. (9.5 mm) D.E. CONNECTANT UNE TUYAUTERIE DE 1-1/2 PO. (38mm) DEPUIS LE ROBINET D'ARRÊT FOURNI PAR D'AUTRES.

B = RECOMMENDED LOCATION FOR WASTE OUTLET 1-1/2" O.D. DRAIN
 UBICACIÓN RECOMENDADA PARA EL DRENAJE DE SALIDA DE AGUA. DE 1-1/2" DE DIÁMETRO.
 EMPLACEMENT RECOMMANDÉ POUR LE DRAIN DE D.E. 1-1/2" DE SORTIE D'EAU.

C = 1-1/2 TRAP NOT FURNISHED**
 PURGADOR DE 1-1/2 NO PROPORCIONADO**
 SIPHON 1-1/2 NON FOURNI**

D = ELECTRICAL OUTLET LOCATION
 UBICACIÓN DE LA TOMA DE ELECTRICIDAD
 EMPLACEMENT DE LA PRISE DE COURANT

E = INSURE PROPER VENTILATION BY MAINTAINING 4" (102mm) (MIN.) CLEARANCE FROM CABINET LOUVERS TO WALL.
 ASEGURE UNA VENTILACIÓN ADECUADA MANTENIENDO UN ESPACIO E 4" (102mm) (MIN.) DE HOLSURA ENTRE LA REJILLA DE VENTILACIÓN DEL MUEBLE Y LA PARED
 ASSUREZ-VOUS UNE BONNE VENTILATION EN GARDANT 4" (102mm) (MIN.) ENTRE LES ÉVÉNENTS DE L'ENCEINTE ET LE MUR.

F = POWER CORD 4 FEET (1219mm) LONG
 CABLE ELECTRICO DE 4 PIE (1219mm), DE LARGO
 CORDON D'ALIMENTATION 4' (1219mm)

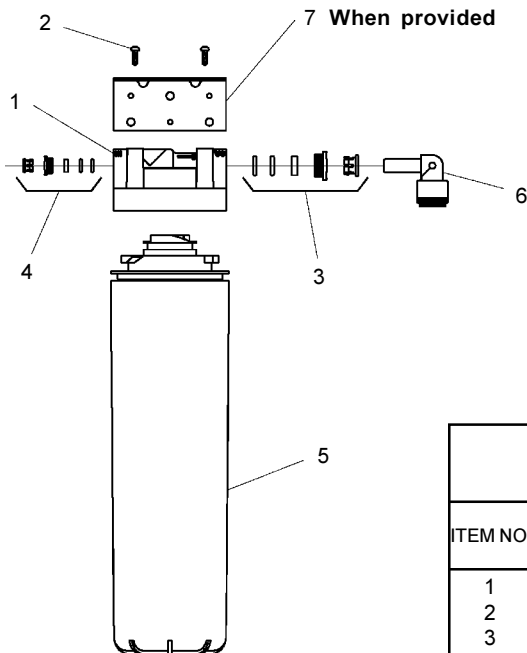
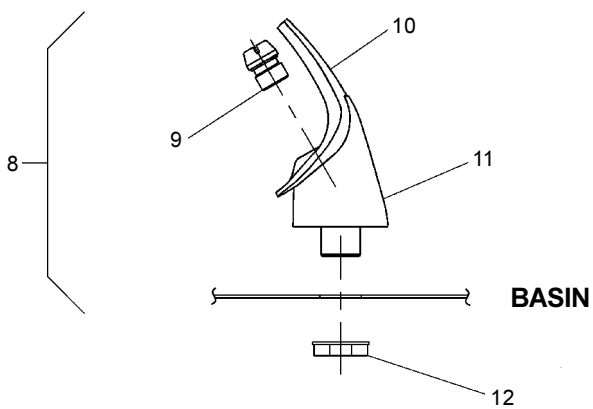


FIG. 5

DESIGN 2000® FILTER PARTS LIST		
ITEM NO.	PART NO.	DESCRIPTION
1	51294C	Filter Head Assy
2	70792C	Screw #8-18 X .75 PH
3	70823C	Fitting - Superseal 3/8" (10mm)
4	70822C	Fitting - Superseal 1/4" (6mm)
5	51299C	Filter Assy
6	70818C	Elbow - 3/8" (10mm)
7	22490C	Bracket



NOTE:
WHEN INSTALLING REPLACEMENT BUBBLER AND PEDESTAL, TIGHTEN NUT (ITEM 12) ONLY TO HOLD PARTS SNUG IN POSITION. DO NOT OVER TIGHTEN.

FIG. 3

Stream height is factory set at 35 PSI. If supply pressure varies greatly from this, remove items 1 and 2 and adjust screw on item 4. Clockwise adjustment will raise stream and counter-clockwise adjustment will lower stream. For best adjustment, stream should hit basin approximately 6-1/2" (165mm) from bubbler.

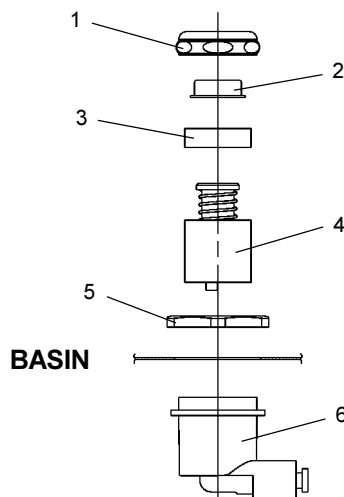


FIG. 4

EFTLA8, 14*1E LFTLA14*1E, 3E LFTLA20F*3E

PARTS LIST 115V

230V 60Hz

ITEM NO.	PART NO.	DESCRIPTION
1	40089C	Cover
2	40048C	Button
3	15005C	Regulator Retaining Nut
4	61313C	Regulator
5	40169C	Hex Nut
6	50986C	Regulator Holder
7	20776C	Basin
	20713C	Basin (GF Only)
8	56073C	Bubbler Assy
9	40322C	Orifice Assy
10	56011C	Housing Assy
11	55997C	Pedestal
12	75580C	Bubbler Locknut
13	31513C	Cold Control
14	31503C	Power Cord (8 GPH)
	35886C	Power Cord (14 GPH)
15	66417C	Condenser (8 GPH)
	66432C	Condenser (14 GPH)
16	21516C	Fan Shroud
17	31490C	Fan Motor (8 GPH)
	31492C	Fan Motor (14 GPH)
18	30664C	Fan Blade
19	20239C	Fan Bracket
20	70018C	Fan Blade Nut
21	66202C	Drier (8 GPH)
	66203C	Drier (14 GPH)
*22	35762C	Compressor Serv. Pak 8 GPH
	35775C	Compressor Serv. Pak 14 GPH
23	31027C	Overload/Relay Assy. (8 GPH)
	35840C	Overload (14 GPH)
	35843C	Relay (14 GPH)
24	31797C	Relay Cover (8 GPH)
	35768C	Relay Cover (14 GPH)
25	194243901550	Electrical Shield
26	55996C	Strainer
27	45702C	Tailpipe Assy
28	66229C	Heat Exchanger (8 GPH)
	66445C	Heat Exchanger (14 GPH)
29	66505C	Evaporator (8 GPH)
	66506C	Evaporator (14 GPH)
30	70682C	Fitting - Tee
31	40022C	Waste Connection Assy
32	40088C	Tailpipe Assy
33	50368C	Receptor - Drain
34	70750C	Clamp
35	See Color Table	Panel-Left Side (Right Unit)
36	See Color Table	Panel-Right Side (Right Unit)
37	See Color Table	Panel-Front (Right Unit)
38	See Color Table	Panel-Left Side (Left Unit)
39	See Color Table	Panel-Right Side (Left Unit)
40	See Color Table	Panel-Front (Left Unit)
41	35844C	Capacitor (14 GPH)
42	56092C	Poly. Tubing (Cut To Length)
43	27961C	Bracket - Strain Relief
45	100322740560	Gasket
46	15009C	Nipple - Bubbler (GF Only)

ITEM NO.	PART. NO.	DESCRIPTION
14	36024C	Power Cord
17	31431C	Fan Motor
22*	35856C	Compressor Serv. Pak
23	35953C	Overload
	35954C	Relay
41	35955C	Capacitor
43	27962C	Bracket - Power Inlet
44	35826C	Power - Inlet

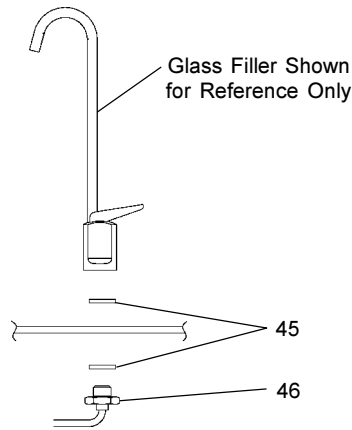


FIG. 6

*INCLUDES RELAY & OVERLOAD. IF UNDER WARRANTY, REPLACE WITH SAME COMPRESSOR USED IN ORIGINAL ASSEMBLY.

NOTE: All correspondence pertaining to any of the above water coolers or orders for repair parts MUST include Model No. and Serial No. of cooler, name and part number of replacement part.

COLOR TABLE							
PANEL COLOR	Item No. 35 Part No.	Item No. 36 Part No. w/ hole	Item No. 36 Part No. w/o hole	Item No. 37 Part No.	Item No. 38 Part No.	Item No. 39 Part No.	Item No. 40 Part No.
Gray Beige	20724C	20623C	27653C	20657C	20646C	20736C	20684C
Almond	21475C	21461C	27655C	20658C	21468C	21479C	20685C
Stainless Stl	20725C	20625C	27652C	20654C	20648C	20737C	20681C
Sandalwood	21474C	21459C	27656C	21450C	21466C	21478C	21456C
Granite	27183C	27168C	27654C	27147C	27177C	27189C	27153C
Light Gray	27184C	N/A	27657C	27148C	27178C	27190C	27154C

PRINTED IN U.S.A.

REPAIR SERVICE INFORMATION TOLL FREE NUMBER 1.800.260.6640
FOR PARTS, CONTACT YOUR LOCAL DISTRIBUTOR OR CALL 1.800.323.0620

ELKAY MANUFACTURING COMPANY • 2222 CAMDEN COURT • OAK BROOK, IL 60523 • 630.574.8484