

ELKAY INSTALLATION, CARE & USE MANUAL

WGA7115 Pressure Cooler USES HFC-134A REFRIGERANT

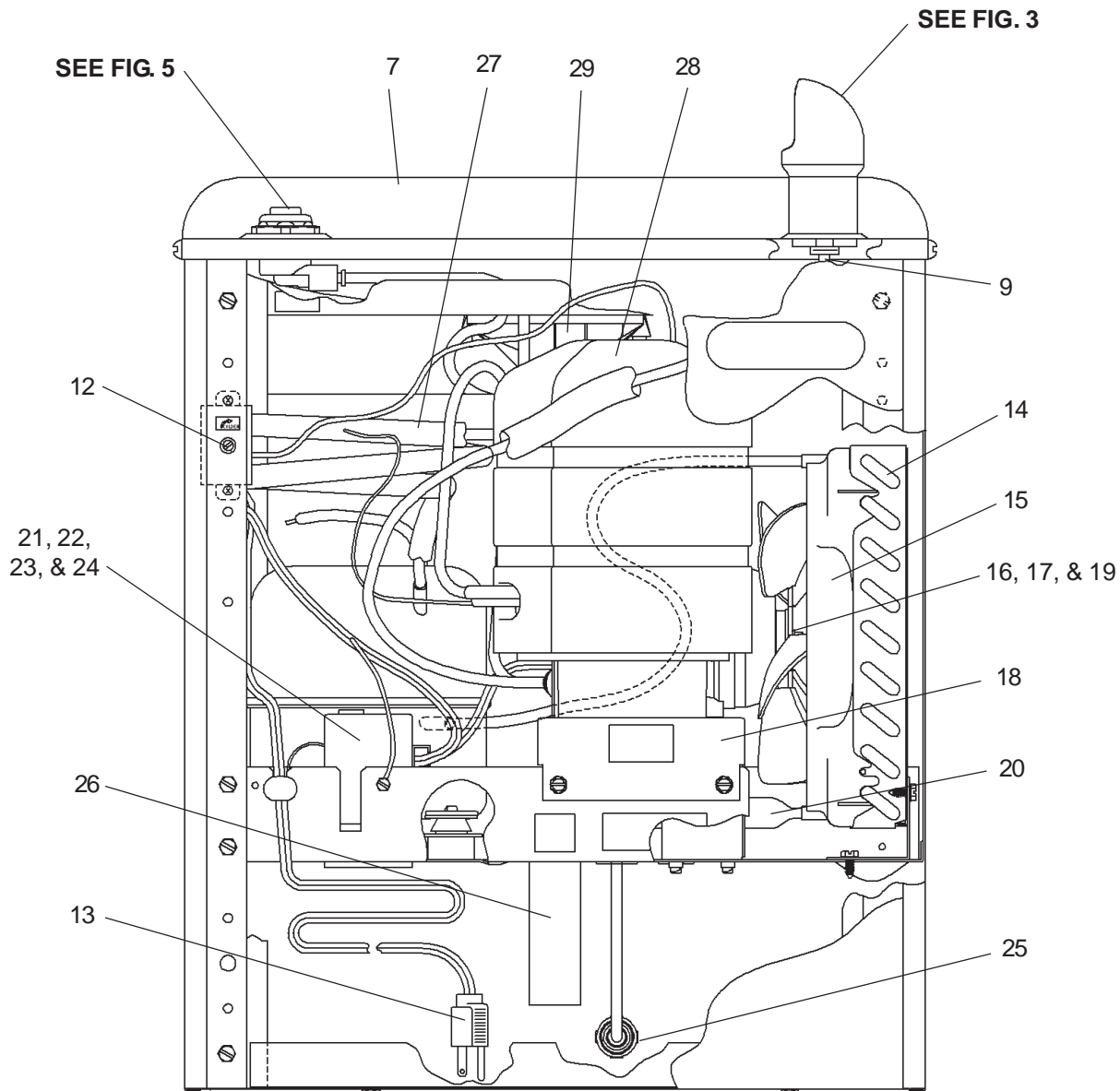


FIG. 1

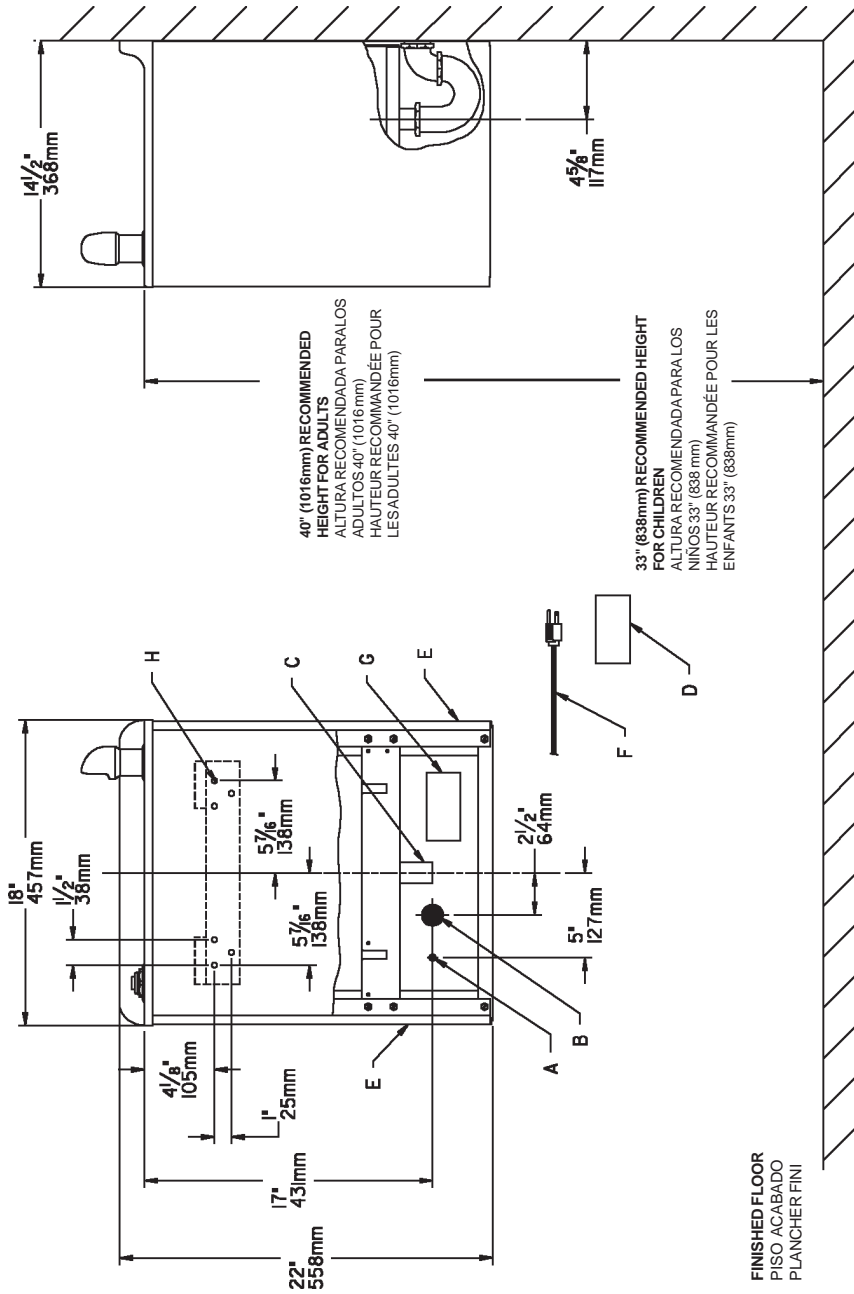


FIG. 2

LEGEND/LEYENDA/LÉGENDE
A = RECOMMENDED WATER SUPPLY LOCATION 3/8 O.D. UNPLATED COPPER TUBE CONNECT STUB OUT 1-1/2 IN. (38mm)
 SE RECOMIENDA UBICAR EL TUBO CORTO DE CONEXIÓN AL TUBO DE COBRE SIN CHAPAR DE 3/8" DE DIÁM. EXT. A 1-1/2" (38mm) FUERA DE LA LLAVE DE PASO EN LA PARED COLOCADA POR TERCEROS.
 EEMPLACEMENT RECOMMANDÉ D'ALIMENTATION EN EAU PAR TUBE EN CUIVRE NON PLAQUÉ DE 3/8 PO. (9.5 mm) D.E. CONNECTANT UNE TUYAUTERIE DE 1-1/2 PO. (38 mm) DEPUIS LE ROBINET D'ARRÊT FOURNI PAR D'AUTRES.
B = RECOMMENDED LOCATION FOR WASTE OUTLET, 1-1/4" O.D. DRAIN
 UBICACIÓN RECOMENDADA PARA EL DRENAJE DE SALIDA DE AGUA, DE 1 1/4" DE DIÁMETRO.
 EEMPLACEMENT RECOMMANDÉ POUR LE DRAIN DE D.E. 1-1/4" DE SORTIE D'EAU.
C = 1-1/4" TRAP NOT FURNISHED
 PURGADOR DE 1 1/4" NO PROPORCIONADO
 SIPHON 1-1/4" NON FOURNI
D = ELECTRICAL OUTLET LOCATION
 UBICACIÓN DE LA TOMA DE ELECTRICIDAD
 EEMPLACEMENT DE LA PRISE DE COURANT

E = INSURE PROPER VENTILATION BY MAINTAINING 4" (102mm) (MIN.) CLEARANCE FROM CABINET LOUVERS TO WALL.
 ASEGURE UNA VENTILACIÓN ADECUADA MANTENIENDO UN ESPACIO E 4" (102mm) (MÍN.) DE HOLGURA ENTRE LA REJILLA DE VENTILACIÓN DEL MUEBLE Y LA PARED
 ASSUREZ-VOUS UNE BONNE VENTILATION EN GARDANT 4" (102mm) (MIN.) ENTRE LES ÉVÉNENTS DE L'ENCEINTE ET LE MUR.

F = POWER CORD 1-1/2" (457mm) LONG
 CABLE ELÉCTRICO DE 1-1/2" (457mm) DE LARGO
 CORDON D'ALIMENTATION 1-1/2" (457mm)

G = ALT. ELECTRICAL OUTLET LOCATION
 UBICACIÓN ALT. DE LA TOMA DE ELECTRICIDAD
 EEMPLACEMENT ALTERNATIF DE LA PRISE DE COURANT

H = 5/16" (8mm) SCREW HOLES IN MOUNTING PLATE
 AGUJEROS DE TORNILLO 5/16" (8mm) EN LA PLACA DE MONTAJE
 TROUS DE VIS 5/16" (8mm) DANS LA PLAQUE DE MONTAGE

40" (1016mm) RECOMMENDED HEIGHT FOR ADULTS
 ALTURA RECOMENDADA PARALOS ADULTOS 40" (1016mm)
 HAUTEUR RECOMMANDÉE POUR LES ADULTES 40" (1016mm)

33" (838mm) RECOMMENDED HEIGHT FOR CHILDREN
 ALTURA RECOMENDADA PARALOS NIÑOS 33" (838 mm)
 HAUTEUR RECOMMANDÉE POUR LES ENFANTS 33" (838mm)

FINISHED FLOOR
 PISO ACABADO
 PLANCHER FINI

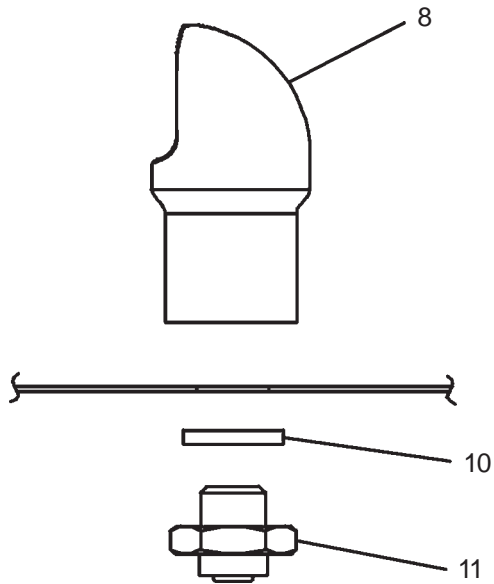


FIG. 3

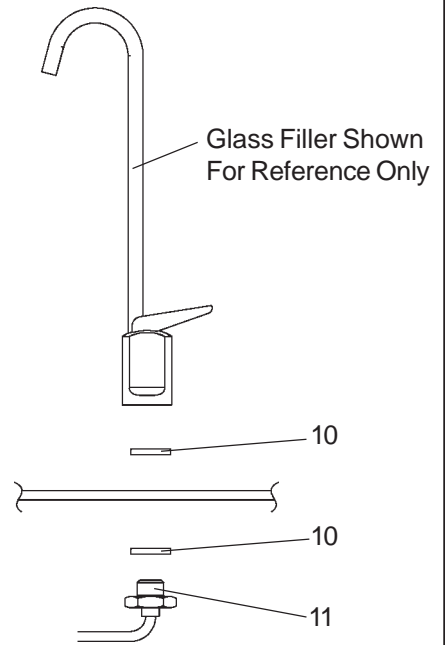
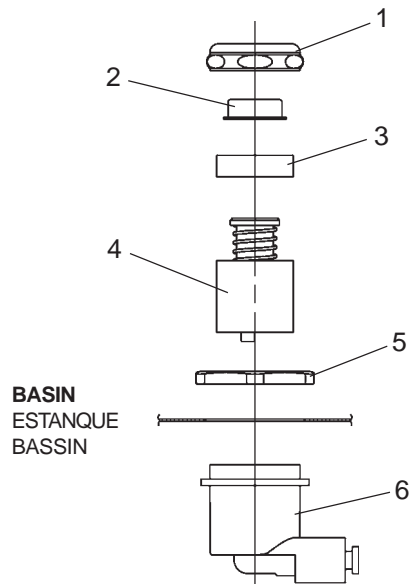


FIG. 4

Stream height is factory set at 35 PSI. If supply pressure varies greatly from this, remove items 1 & 2 and adjust screw on item 4. Clockwise adjustment will raise stream and counter-clockwise adjustment will lower stream. For best adjustment, stream should hit basin approximately 6-1/2" (165mm) from bubbler.



BASIN
ESTANQUE
BASSIN

FIG. 5

PARTS LIST 115V

ITEM NO.	PART NO.	DESCRIPTION
1	40089C	Cover
2	40048C	Button
3	15005C	Regulator Retaining Nut
4	61313C	Regulator
5	40169C	Hex Nut
6	50986C	Regulator Holder
7	20776C	Basin
8	98118C	Bubbler Assembly
9	56092C	Poly Tubing (Cut To Length)
10	100322740560	Bubbler Washer
11	15009C	Bubbler Nipple
12	31513C	Cold Control
13	36208C	Power Cord
14	66743C	Condenser
15	56743C	Fan Shroud
16	31490C	Fan Motor (5 GPH)
17	30664C	Fan Blade
18	27681C	Fan Bracket
19	70018C	Fan Blade Nut
20	66703C	Drier
*21	36094C	Compressor Serv.
22	36158C	Overload
23	35768C	Relay Cover
24	35959C	Relay
25	55996C	Strainer
26	45702C	Tailpipe Assy
27	66576C	Heat Exchanger
28	66534C	Evaporator
29	50368C	Receptor-Drain
NS	27023C	Wall Bracket

*INCLUDES RELAY & OVERLOAD. IF UNDER WARRANTY, REPLACE WITH SAME COMPRESSOR USED IN ORIGINAL ASSEMBLY.

NOTE: All correspondence pertaining to any of the above water coolers or orders for repair parts MUST include Model No. and Serial No. of cooler, name and part number of replacement part.

COLOR TABLE	LEFT PANEL	RIGHT PANEL	FRONT PANEL
Gray Beige	20646C	20647C	20684C
Stainless Steel	20648C	20649C	20681C
Sandalwood	21466C	21467C	21456C
Light Gray	27178C	27181C	27154C