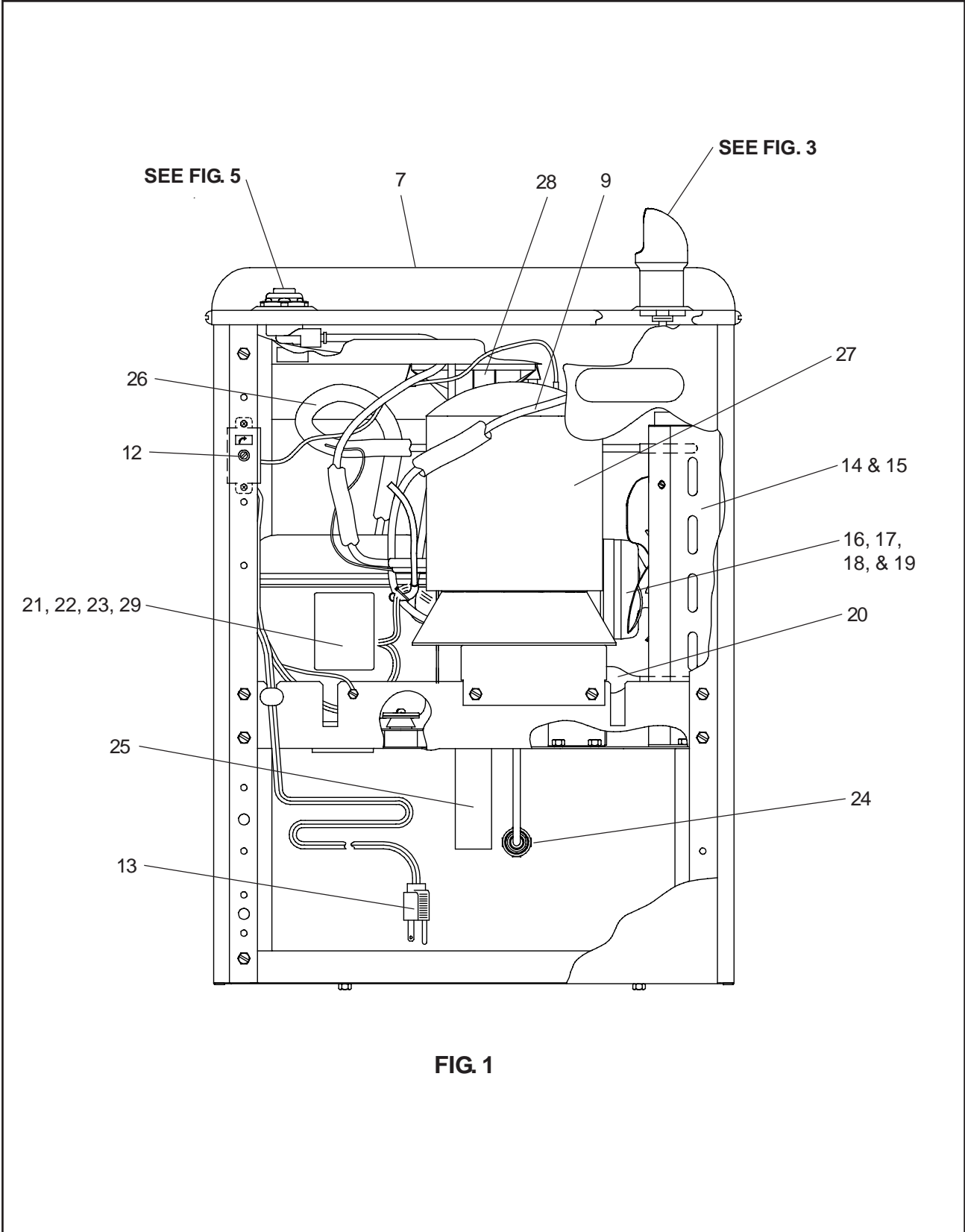
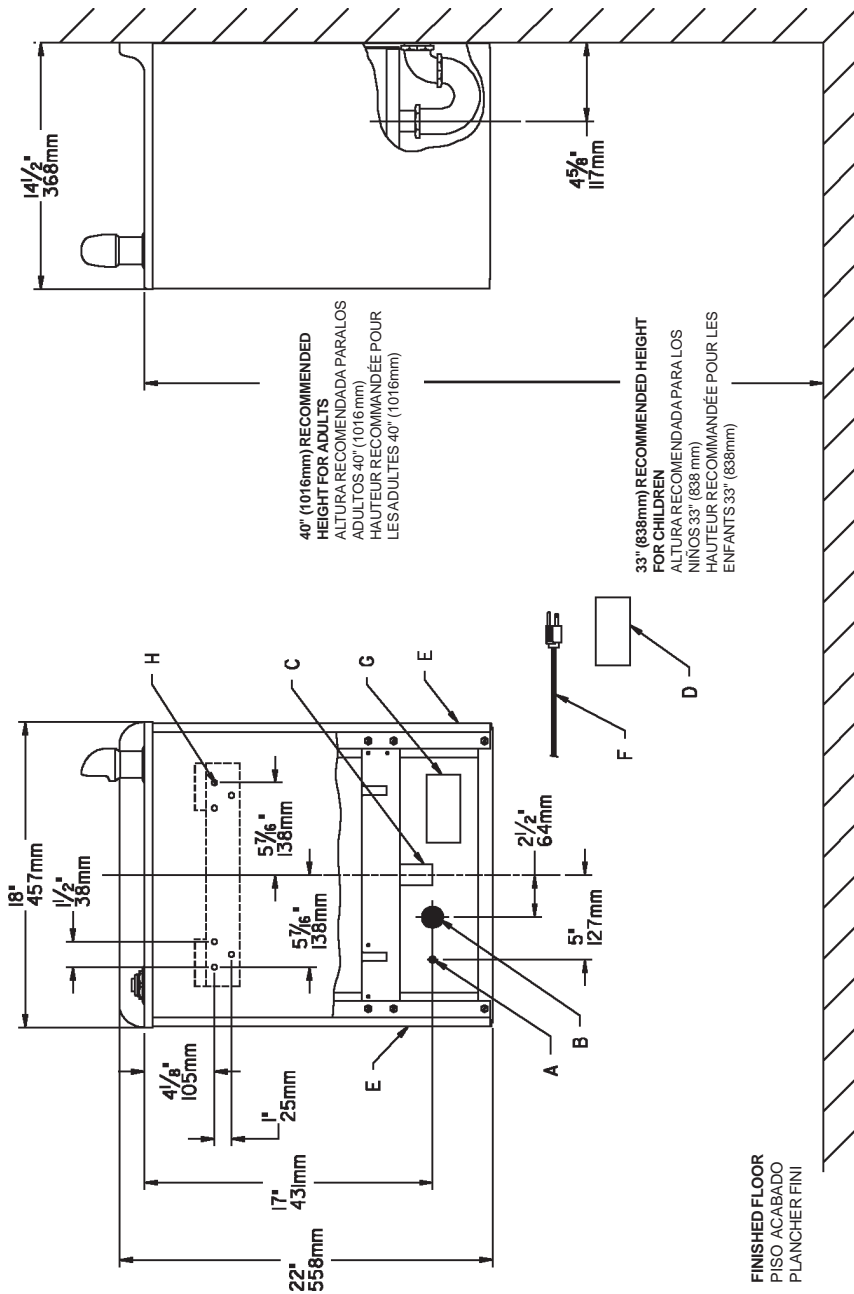


Installation, Care & Use Manual

USES HFC-134A REFRIGERANT





FINISHED FLOOR
PISO ACABADO
PLANCHER FINI

40" (1016mm) RECOMMENDED
HEIGHT FOR ADULTS
ALTURA RECOMENDADA PARALOS
ADULTOS 40" (1016mm)
HAUTEUR RECOMMANDEE POUR
LES ADULTES 40" (1016mm)

33" (838mm) RECOMMENDED HEIGHT
FOR CHILDREN
ALTURA RECOMENDADA PARALOS
NIÑOS 33" (838mm)
HAUTEUR RECOMMANDEE POUR LES
ENFANTS 33" (838mm)

FIG. 2

- LEGEND/LEYENDA/LÉGENDE**
- A = RECOMMENDED WATER SUPPLY LOCATION 3/8 O.D. UNPLATED COPPER TUBE CONNECT STUB OUT 1-1/2 IN. (38mm) FROM WALL SHUT OFF BY OTHERS**
SE RECOMIENDA UBICAR EL TUBO CORTO DE CONEXIÓN AL TUBO DE COBRE SIN CHAPAR DE 3/8" DE DIÁM. EXT. A 1-1/2" (38mm) FUERA DE LA LLAVE DE PASO EN LA PARED COLOCADA POR TERCEROS.
 - B = RECOMMENDED LOCATION FOR WASTE OUTLET 1-1/4" O.D. DRAIN**
EMPLACEMENT RECOMMANDE D'ALIMENTATION EN EAU PAR TUBE EN CUIVRE NON PLAQUÉ DE 3/8 PO. (9.5mm) D.E. CONNECTANT UNE TUYAUTERIE DE 1-1/2 PO. (38mm) DEPUIS LE ROBINET D'ARRÊT FOURNI PAR D'AUTRES.
 - C = 1-1/4" TRAP NOT FURNISHED**
UBICACIÓN RECOMENDADA PARA EL DRENAJE DE SALIDA DE AGUA, DE 1 1/4" DE DIÁMETRO.
 - D = ELECTRICAL OUTLET LOCATION**
EMPLACEMENT RECOMMANDE POUR LE DRAIN DE D.E. 1-1/4" DE SORTIE D'EAU.
 - E = INSURE PROPER VENTILATION BY MAINTAINING 4" (102mm) (MIN.) CLEARANCE FROM CABINET LOUVERS TO WALL.**
ASEGURE UNA VENTILACIÓN ADECUADA MANTENIENDO UN ESPACIO E 4" (102mm) (MÍN.) DE HOLGURA ENTRE LA REJILLA DE VENTILACIÓN DEL MUEBLE Y LA PARED.
 - F = POWER CORD 1-1/2" (457mm) LONG**
CORDON D'ALIMENTATION 1-1/2" (457mm)
 - G = ALT. ELECTRICAL OUTLET LOCATION**
UBICACIÓN ALT. DE LA TOMA DE ELECTRICIDAD
 - H = 5/16" (8mm) SCREW HOLES IN MOUNTING PLATE**
EMPLACEMENT ALTERNATIF DE LA PRISE DE COURANT
- ASSUREZ-VOUS UNE BONNE VENTILATION EN GARDANT 4" (102mm) (MIN.) ENTRE LES ÉVÉNENTS DE L'ENCEINTE ET LE MUR.
- AGUJEROS DE TORNILLO 5/16" (8mm) EN LA PLACA DE MONTAJE
TROUS DE VIS 5/16" (8mm) DANS LA PLAQUE DE MONTAGE

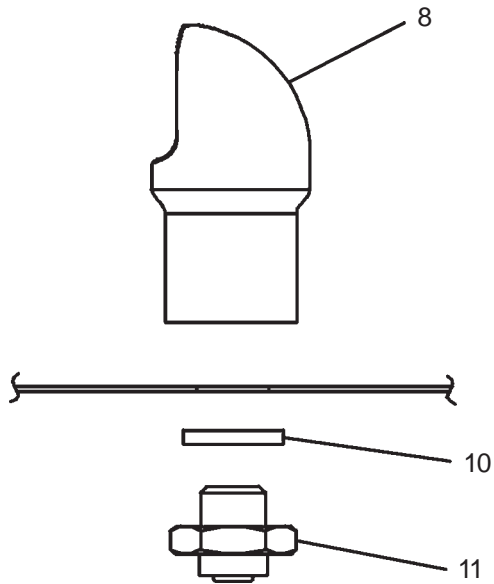


FIG. 3

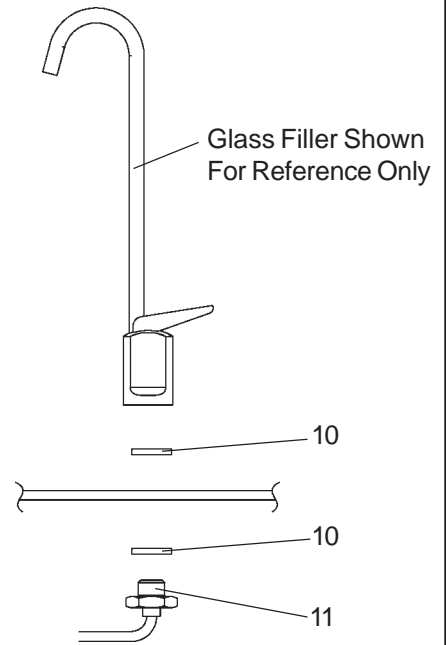


FIG. 4

Stream height is factory set at 35 PSI. If supply pressure varies greatly from this, remove items 1 & 2 and adjust screw on item 4. Clockwise adjustment will raise stream and counter-clockwise adjustment will lower stream. For best adjustment, stream should hit basin approximately 6-1/2" (165mm) from bubbler.

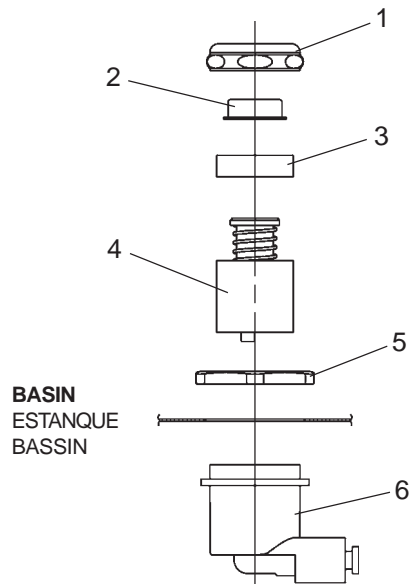


FIG. 5

PARTS LIST 115V

ITEM NO.	PART NO.	DESCRIPTION
1	40089C	Cover
2	40048C	Button
3	15005C	Regulator Retaining Nut
4	61313C	Regulator
5	40169C	Hex Nut
6	50986C	Regulator Holder
7	20776C	Basin
8	98118C	Bubbler Assembly
9	56092C	Poly Tubing (Cut To Length)
10	100322740560	Bubbler Washer
11	15009C	Bubbler Nipple
12	31513C	Cold Control
13	36208C	Power Cord
14	66432C	Condenser
15	21516C	Fan Shroud
16	31491C	Fan Motor
17	30664C	Fan Blade
18	20239C	Fan Bracket
19	70018C	Fan Blade Nut
20	66203C	Drier
*21	36250C	Compressor Serv. Pak
22	36254C	Overload
23	36189C	Relay Cover
24	55996C	Strainer
25	45702C	Tailpipe Assy
26	66766C	Heat Exchanger
27	66506C	Evaporator
28	50368C	Receptor-Drain
29	36255C	Relay
NS	27023C	Wall Bracket

*INCLUDES RELAY & OVERLOAD. IF UNDER WARRANTY, REPLACE WITH SAME COMPRESSOR USED IN ORIGINAL ASSEMBLY.

NOTE: All correspondence pertaining to any of the above water coolers or orders for repair parts MUST include Model No. and Serial No. of cooler, name and part number of replacement part.

COLOR TABLE	LEFT PANEL	RIGHT PANEL	FRONT PANEL
Gray Beige	20646C	20647C	20684C
Stainless Steel	20648C	20649C	20681C
Sandalwood	21466C	21467C	21456C
Light Gray	27178C	27181C	27154C