

Installation, Care & Use Manual

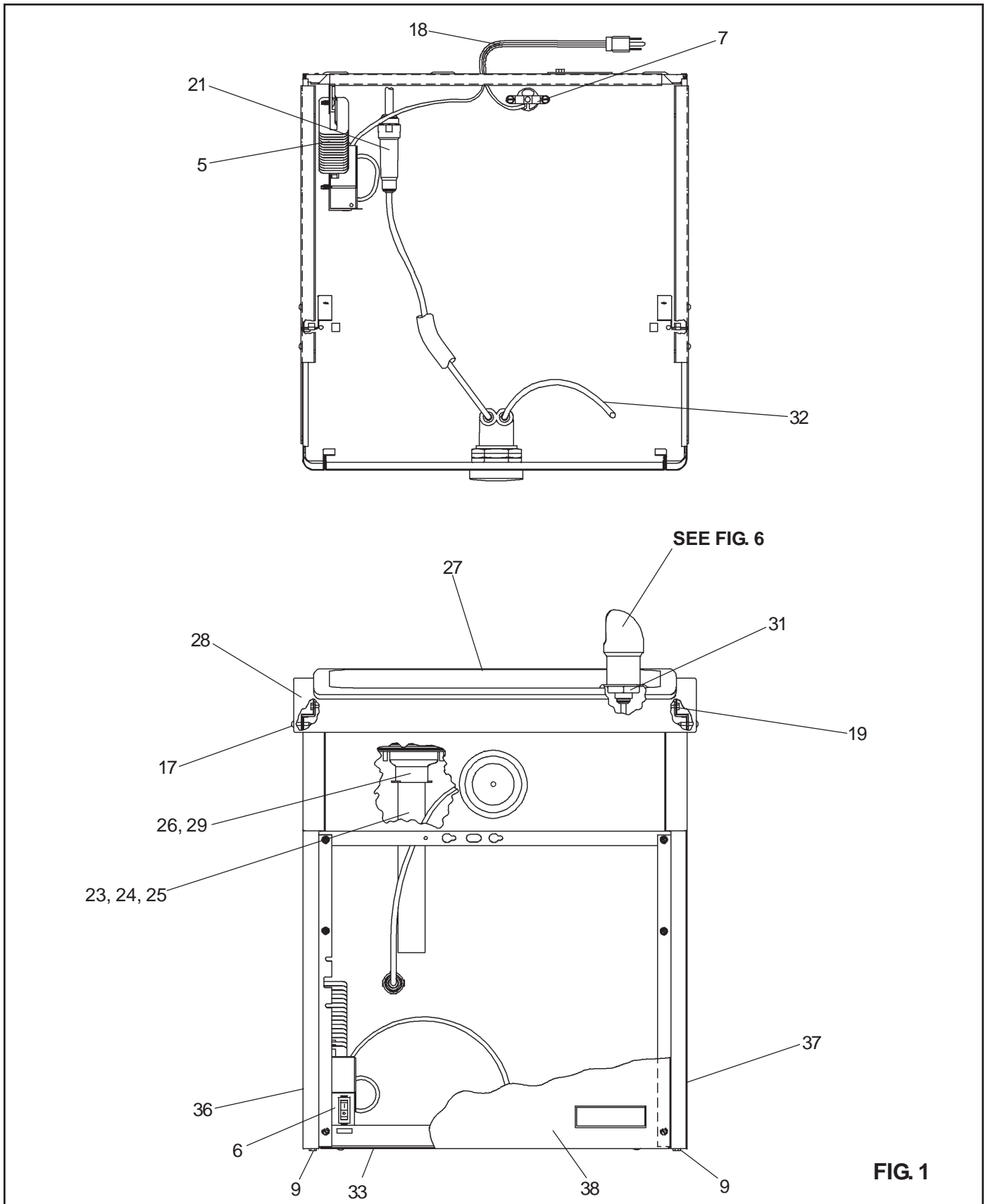


FIG. 1

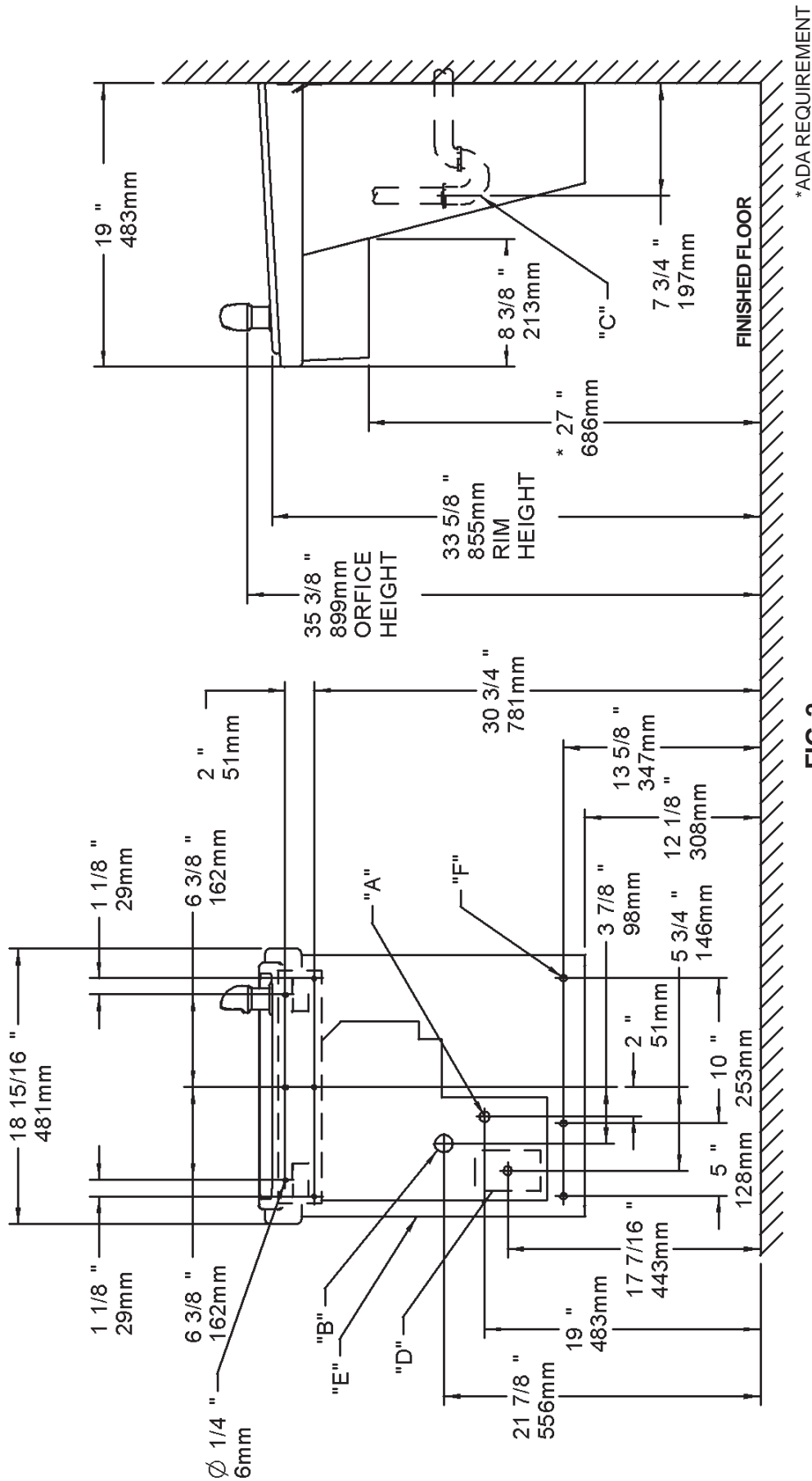


FIG. 2

LEGEND
 A = RECOMMENDED WATER SUPPLY LOCATION 3/8 O.D. UNPLATED COPPER TUBE CONNECT STUB 1-1/2 IN. (38mm) OUT FROM WALL SHUT OFF BY OTHERS

B = RECOMMENDED LOCATION FOR WASTE OUTLET 1-1/4" O.D. DRAIN

C = 1-1/4" TRAP NOT FURNISHED**

D = ELECTRICAL SUPPLY (3) WIRE RECESSED BOX

E = INSURE PROPER VENTILATION BY MAINTAINING 6" (152mm) (MIN.) CLEARANCE FROM CABINET LOUVERS TO WALL.

F = 7/16 BOLT HOLES FOR FASTENING UNIT TO WALL

OBFVRFRD

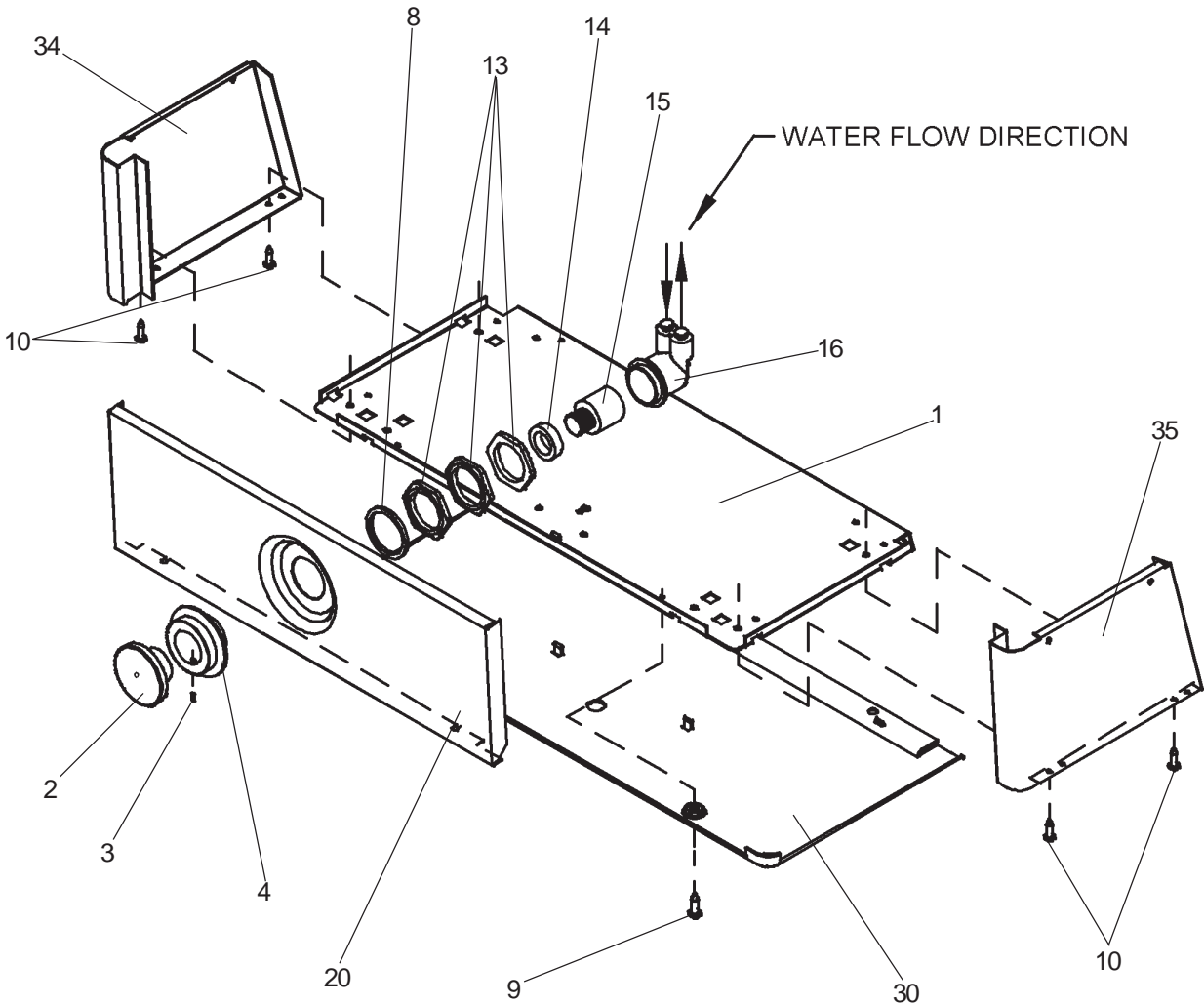


FIG. 3

IMPORTANT
ALL SERVICE TO BE PERFORMED BY AN AUTHORIZED SERVICE PERSON

HANGER BRACKETS AND TRAP INSTALLATION

- 1) Remove hanger bracket fastened to back of cooler by removing one screw.
 - 2) Mount the hanger bracket and trap as shown in Figure 2.
- NOTE:** Hanger Bracket **MUST** be supported securely. Add fixture support carrier if wall will not provide adequate support.

IMPORTANT:

- 7-3/4 in. (197mm) dimension from wall to centerline of trap must be maintained for proper fit.
 - Anchor hanger securely to wall using all six 1/4 in. dia. mounting holes.
- 3) Install straight valve for 3/8" O.D. tube.

INSTALLATION OF COOLER

- 4) Hang the cooler on the hanger bracket. Be certain the hanger bracket is engaged properly in the slots on the cooler back.
- 5) Loosen the two screws holding the lower front panel at the bottom of cooler base. Pull front panel forward to gain access inside cooler.
- 6) Connect water inlet line - See Note 4 of General Instructions.
- 7) Remove the slip nut and gasket from the trap and install them on the cooler water line making sure that the end of the waste line fits into the trap. Assemble the slip nut and gasket to the trap and tighten securely.

START UP

Also See General Instructions

- 8) Stream height is factory set at 35 PSI. If supply pressure varies greatly from this, adjust the screw on regulator item 15 by using a small screwdriver through the small hole in the push button item 2 (See Fig.3). Clockwise adjustment will raise stream and counter-clockwise adjustment will lower stream. For best adjustment stream should hit basin approximately 6-1/2" (165mm) from bubbler.

PROTECT FROM HARD FREEZING

- 9) If the ambient air temperature drops below 0° F, the cooler needs to be drained of all water by blowing out all water lines and the drain trap.

PARTS LIST

ITEM NO	PART NO	DESCRIPTION
1	22897C	Panel - Bottom Dispenser
2	45662C	Button - Push
3	75672C	Screw - Cap
4	45663C	Sleeve - Push Button
5	35906C	Heater Strip
6	35907C	Switch - Rocker
7	35909C	Heater Thermostat Assy
8	56033C	Washer
9	75500C	Screw - Torx
10	70864C	Screw - #8 x 5/8" Lg. Torx/Slot
11	27469C	Panel - Screen
12	75566C	Screw - Torx
13	40045C	Hex Nut
14	15005C	Retaining - Nut
15	61313C	Regulator
16	50986C	Holder - Regulator
17	75532C	Screw
18	35900C	Power Cord
19	38417001	Screw - #8-18 x 3/8" HHSM
20	27295C	Panel - Front Dispenser
21	55996C	Strainer
22	98118C	Bubbler Assembly
23	40614C	Drain Tube
24	50400C	Gasket - Drain
25	50401C	Ring Support - Drain
26	70444C	Clamp - Drain Gasket
27	21903C	Basin - Stainless Steel
28	27306C	Adaptor - Basin
29	70016C	Hex Nut #10-32
30	55931C	Cover-Dispenser Bottom Gray
31	15009C	Bubbler - Nipple
32	56092C	Poly Tubing (Cut To Length)
33	26999C	Cover - Bottom
34	22814C	Panel - LH No Push
35	22822C	Panel - RH No Push
36	22854C	Panel - LH Rear
37	22862C	Panel - RH Rear
38	22955C	Panel - Front Lower
39	100322740560	Gasket
NS	400660943730	Hanger Bracket
NS	75519C	Bit - Pinned Torx T-15
NS	75520C	Bit - Pinned Torx T-25
NS	75674C	Wrench - Allen 7/64

NOTE: All correspondence pertaining to any of the above water coolers or orders for repair parts MUST include Model No. and Serial No. of cooler, name and part number of replacement part.

WARNING!

This unit is frost resistant down to 0° F with no wind. Prevailing winds can reduce the ability of the heater element to prevent light freezing. If the ambient air temperature will drop below 0° F, the cooler needs to be drained of all water by blowing out all water lines and the drain trap. A heater strip is used to heat the unit and will begin to cycle at 40° +/- 5° F. A check at this temperature will ensure the heater is working and the unit is resistant to light freezing.

ALSO, MAKE SURE THERE ARE NO PLASTIC OR FLAMMABLE COMPONENTS DIRECTLY ABOVE THE HEATER STRIP.

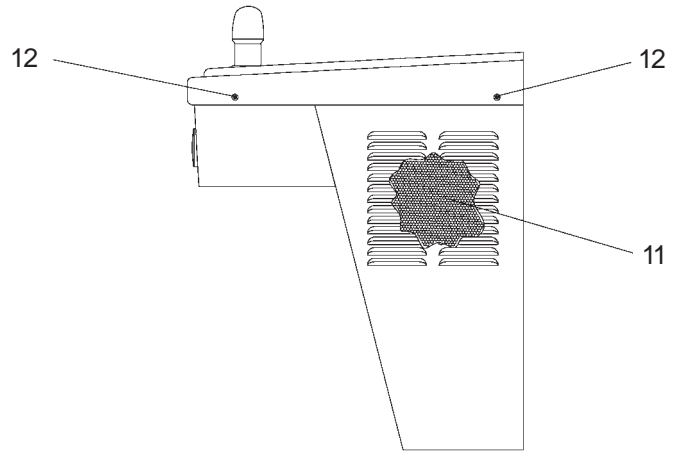


FIG. 4

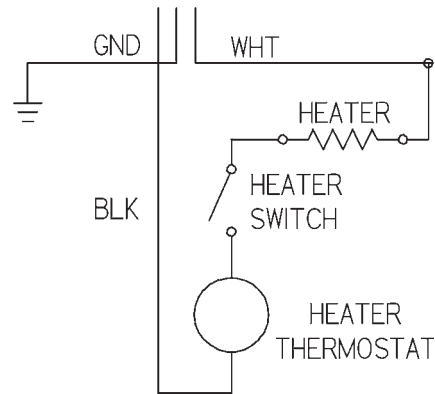


FIG. 5

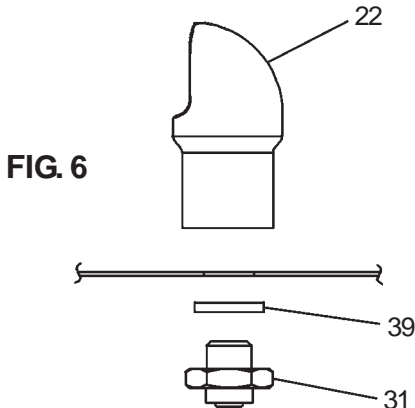


FIG. 6

REPAIR SERVICE INFORMATION TOLL FREE NUMBER 1-800-260-6640

PRINTED IN U.S.A.

FOR PARTS, CONTACT YOUR LOCAL DISTRIBUTOR OR CALL 1.800.323.0620

ELKAY MANUFACTURING COMPANY • 2222 CAMDEN COURT • OAK BROOK, IL 60523 • 630.574.8484