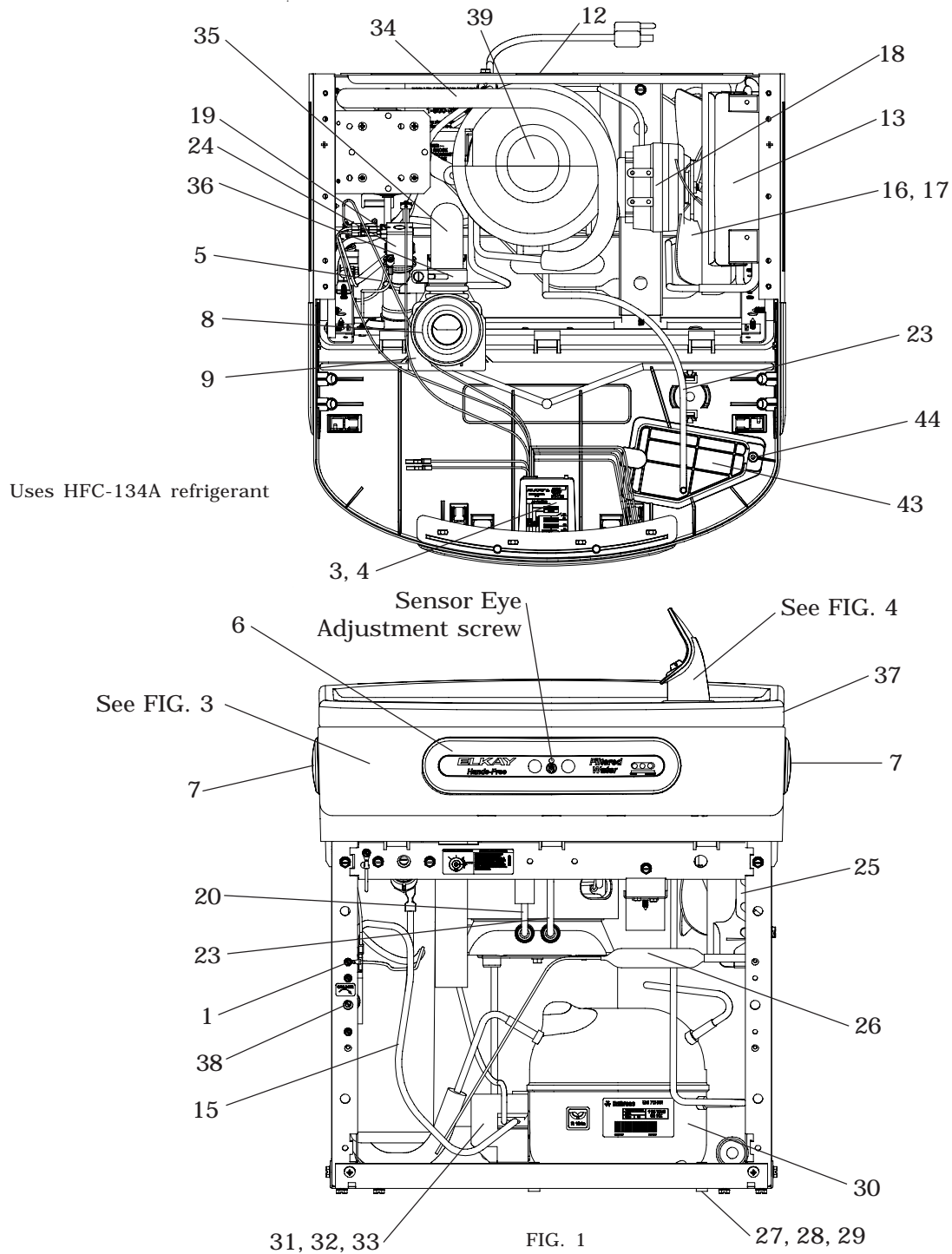
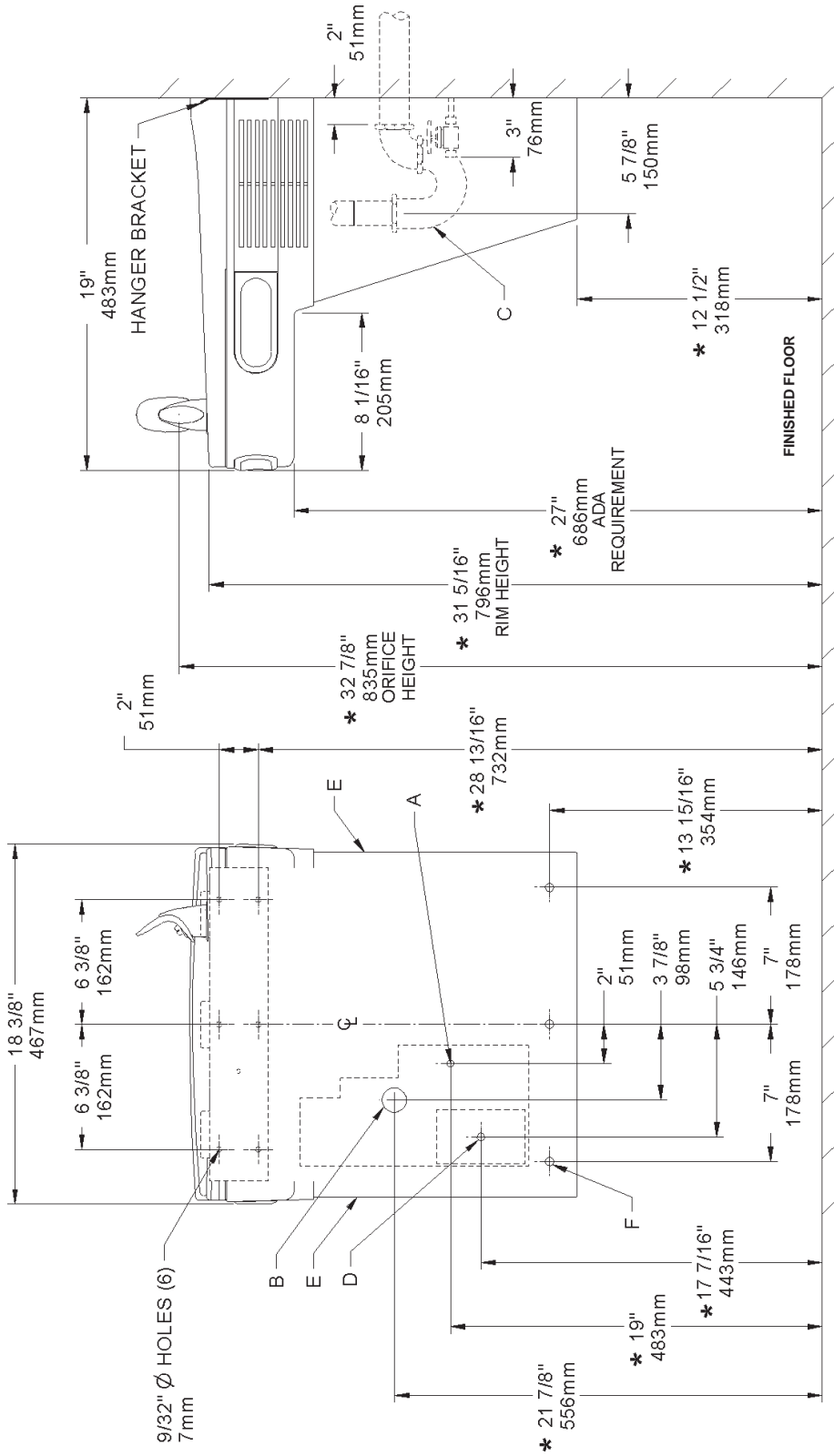


ELKAY With FLEXI-GUARD

INSTALLATION, CARE & USE MANUAL

LZO™ Series Barrier-Free Water Coolers





* REDUCE HEIGHT BY 3 INCHES FOR INSTALLATION OF CHILDRENS ADA COOLER.

LEGEND / LEYENDA / LÉGENDE

- A = RECOMMENDED WATER SUPPLY LOCATION 3/8 O.D. UNPLATED COPPER TUBE CONNECT STUB WITH SHUT OFF (BY OTHERS) 3 IN. (76mm) MAXIMUM OUT FROM WALL**
La UBICACION 3/8 O RECOMENDADA DE ABASTECIMIENTO DE AGUA. D. EL TUBO del COBRE de UNPLATED CONECTA TALONARIO CON APAGO (POR OTROS) 3 en. (76 Mm) el MAXIMO FUERA DE PARED
- B = RECOMMENDED LOCATION FOR WASTE OUTLET 1-1/4" O.D. DRAIN STUB 2 IN. OUT FROM WALL**
UBICACION RECOMENDADA PARA EL DRENAJE DE SALIDA DE AGUA. DE 1 1/4" DE DIAMETRO. EL TALONARIO 2 FUERA DE PARED
- C = 1-1/4 TRAP NOT FURNISHED**
PURGADOR DE 1 1/4 NO PROPORCIONADO
- D = ELECTRICAL SUPPLY (3) WIRE RECESSED BOX**
CAJA RECESIVA DE ALAMBRES (3) DE SUMINISTRO ELECTRICO
- E = INSURE PROPER VENTILATION BY MAINTAINING 6" (152 mm) (MIN.) CLEARANCE FROM CABINET LOUVERS TO WALL.**
ASEGURE UNA VENTILACION ADECUADA MANTENIENDO UN ESPACIO E 6" (152 mm) (MIN.) DE HOLGURA ENTRE LA REJILLA DE VENTILACION DEL MUEBLE Y LA PARED
- F = 7/16 BOLT HOLES FOR FASTENING UNIT TO WALL**
AGUJEROS DE LAS TUERCAS DE 7/16 PARA SUJETAR LA UNIDAD A LA PARED

FIG. 2

HANGER BRACKETS & TRAP INSTALLATION

- 1) Remove hanger bracket fastened to back of cooler by removing one (1) screw.
- 2) Mount the hanger bracket as shown in Figure 2.

NOTE: Hanger Bracket MUST be supported securely. Add fixture support carrier if wall will not provide adequate support. Anchor hanger securely to wall using all six (6) 1/4 in. dia. mounting holes.

IMPORTANT:

5-7/8 in. (150mm) dimension from wall to centerline of trap must be maintained for proper fit.

INSTALLATION OF COOLER

- 3) Hang the cooler on the hanger bracket. Be certain the hanger bracket is engaged properly in the slots on the cooler back as shown in Figure 2.
- 4) Remove the four (4) screws holding the lower front panel at the bottom of cooler. Remove the front panel by pulling straight down and set aside.
- 5) Connect water inlet line--See Note 4 of General Instructions.
- 6) Install trap. Remove the slip nut and gasket from the trap and install them on the cooler waste line making sure that the end of the waste line fits into the trap. Assemble the slip nut and gasket to the trap and tighten securely.

IMPORTANT: If it is necessary to cut the drain, loosen the screw at the black rubber boot and remove tube, check for leaks after re-assembly.

- 7) Plug in electrical power. Unit must have electrical power to have water flow.

START UP

Also See General Instructions

- 8) Stream height is factory set at 35 PSI. If supply pressure varies greatly from this, adjust screw located on the left side below the push bar assembly on the crossbar. CW adjustment will raise stream and CCW adjustment will lower stream. For best adjustment, stream should hit basin approximately 6-1/2" (165mm) from bubbler on the downward slope of the basin.

NOTE: If continuous flow occurs at the end of the compressor cycle, turn cold control (Item 38) counterclockwise 1/4 turn.

- 9) Replace the front panel ensuring that the metal wrapper is secured inside of the upper shroud. Replace all four screws previously removed.

SENSOR RANGE ADJUSTMENT:

The electronic sensor used in this cooler is factory pre-set for a "visual" range of 36 inches (914 mm). If actual range varies greatly from this or a different setting is desired, follow the range adjustment procedure below:

- Using a small tip screwdriver, locate range adjustment screw through the small hole between the sensor lenses (See Page 1.) Turn this screw clockwise to increase range and counterclockwise to decrease range (See Fig. 3).

CAUTION: Complete range of sensor (24-36 inches/610-1168mm) is only one turn of the adjusting screw.

SENSOR WITH VISUAL FILTER MONITOR (VFM) - LZO SERIES:

The electronic sensor includes LED filter status indicators that are factory preset to monitor filter life. The sensor monitors the "ON" time of the water valve solenoid and keeps track of total time water is dispensed. There are (3) LED's and indicates the following:

Green LED (Good) indicates that the filter is operating within 0% - 80% of its life.

Yellow LED indicates that the filter is operating within 80% - 100% of its life.

Red LED (Replace) indicates that the filter needs to be replaced since it has reached end of filter life.

Once power is applied to the water cooler, if all three LED's flash then the Green LED aluminates, this indicates that there is some filter usage memory stored. When the Green LED comes on only, this indicates that the filter life is at absolute 0% of filter life. NOTE: You may have some very minimal filter life in memory upon receiving water cooler due to factory functional testing.

NOTE: The filter status will be retained until reset (see resetting filter monitor). The filter monitor will retain its memory even during a loss of power.

RESETTING VISUAL FILTER MONITOR (VFM):

In order to reset the visual filter monitor status LED's, you must remove the access panel (item 43) underneath the front dispenser. With your finger or straight blade screw driver, reach inside opening and depress the reset button located on the back of the sensor for a minimum of 1 second. (You may need a flashlight) Reinstall access panel and the Green LED should be illuminated indicating that the visual filter monitor has been reset.

SENSOR CONTROL: If sensor fails to operate valve mechanism or operates erratically, check the following.

- A. Ensure there are no obstructions within a 40 inch (1016mm) radius in front of cooler.
- B. Check wire connections at the solenoid valve and sensor. **CAUTION:** Make sure unit is unplugged before checking any wiring.
- C. Ensure proper operation of solenoid valve. If there is an audible clicking sound yet no water flows, look for an obstruction in the valve itself or elsewhere in the water supply line.

Service Instructions

Lower and Upper Shroud

To access the refrigeration system and plumbing connections, remove four screws from bottom of cooler to remove the lower shroud. To remove the upper shroud for access to the pushbars, regulator, solenoid valve or other components located in the top of the unit, remove lower shroud, disconnect drain, remove four screws from tabs along lower edge of upper shroud, unplug two wires and water tube.

Bubbler

To remove the bubbler, first disconnect the power supply. The underside of the bubbler can be reached through the access panel (Item 43) on the underside of the upper shroud (Item 2). Remove the access panel by removing the retaining screw (Item 44). To remove the bubbler, loosen locknut (Item 10) from the underside of the bubbler and remove the tubing from the quick connect fitting per the Operation Of Quick Connect Fittings section in the General Instructions. After servicing, replace the access panel and retaining screw.

NOTE:

When installing replacement bubbler and pedestal, tighten nut (Item 10) only to hold parts snug in position. Do Not Overtighten.

Cleaning the strainer

To clean the strainer, unscrew the cap of the solenoid valve. Remove screen and rinse thoroughly with water. Insert screen back into solenoid valve and screw cap on. Make sure the o-ring is placed properly.

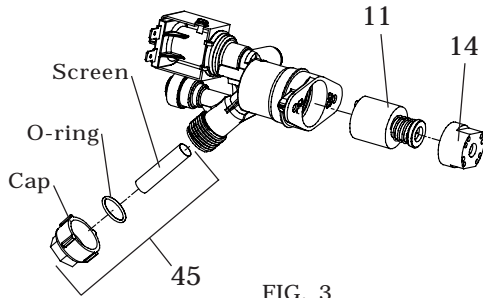


FIG. 3

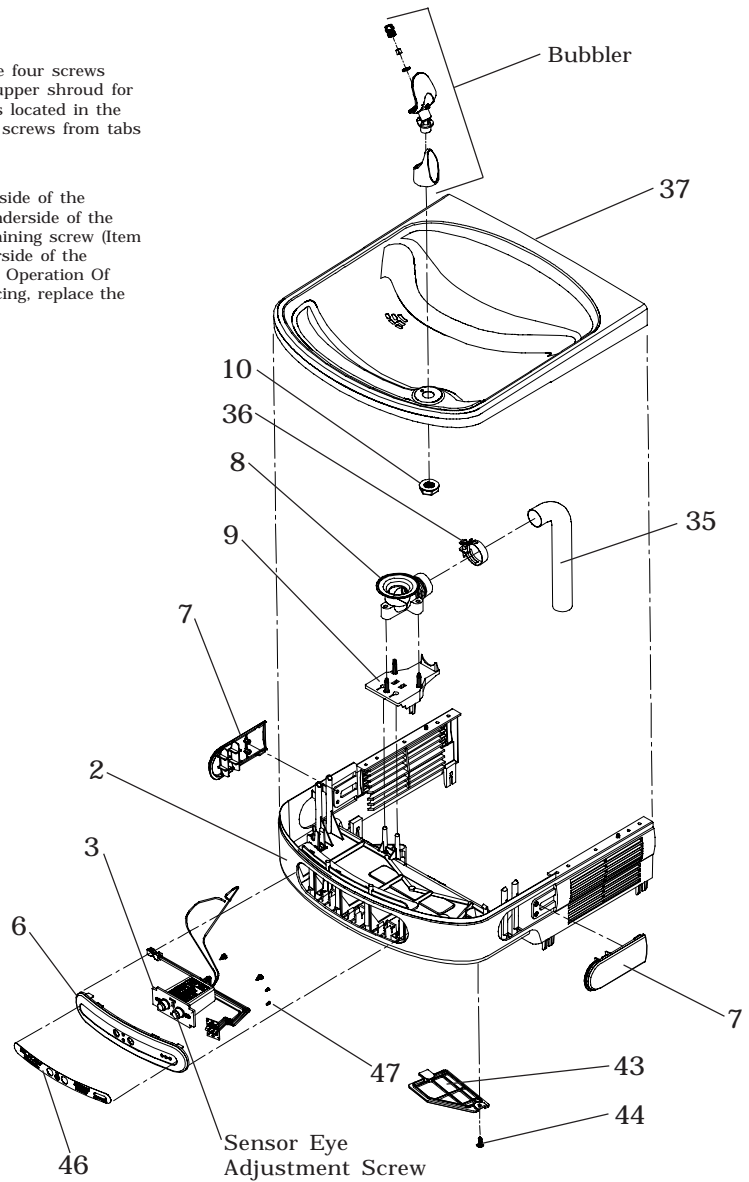


FIG. 4

CLEANING

Warm, soapy water or mild household cleaning products can be used to clean the exterior panels of the EZ coolers. Extra caution should be used to clean the mirror finished stainless steel panels. They can be easily scratched and should only be cleaned with mild soap and water or Windex glass cleaner and a clean, soft cloth. Use of harsh chemicals or petroleum based or abrasive cleaners **will void the warranty.**

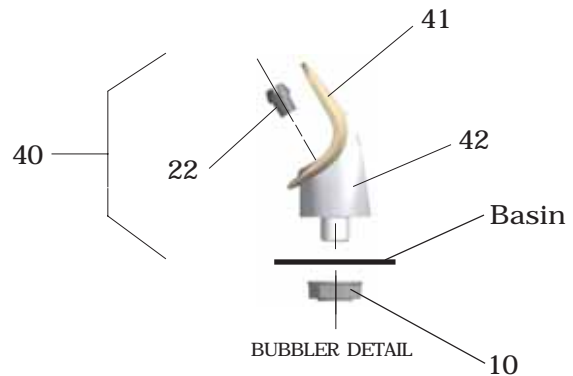


FIG. 5

WIRING DIAGRAM - LZO 230V

230V PARTS LIST

ITEM NO.	PART NO.	DESCRIPTION
15	36066C	Power Cord
18	31431C	Fan Motor
19	33133000	Adapt - Tab .250
24	36248C	Valve - Solenoid
*30	36092C	Compressor Serv. Pak (230v/60Hz)
	36085C	Compressor Serv. Pak (230v/50Hz)
42	36174C	Overload (230v/60Hz)
	36195C	Overload (230v/50Hz)
31	36050C	Relay
NS	28030C	Brkt - Power Inlet
NS	35826C	Inlet Power

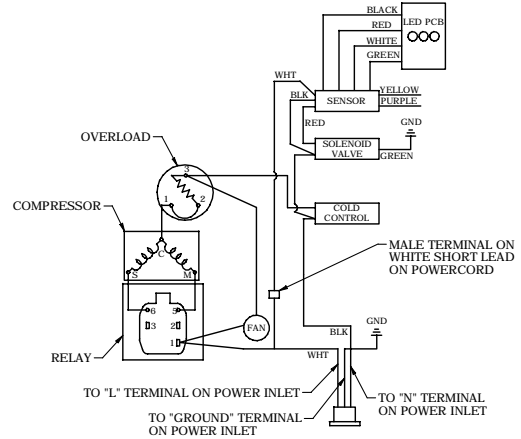


FIG. 6

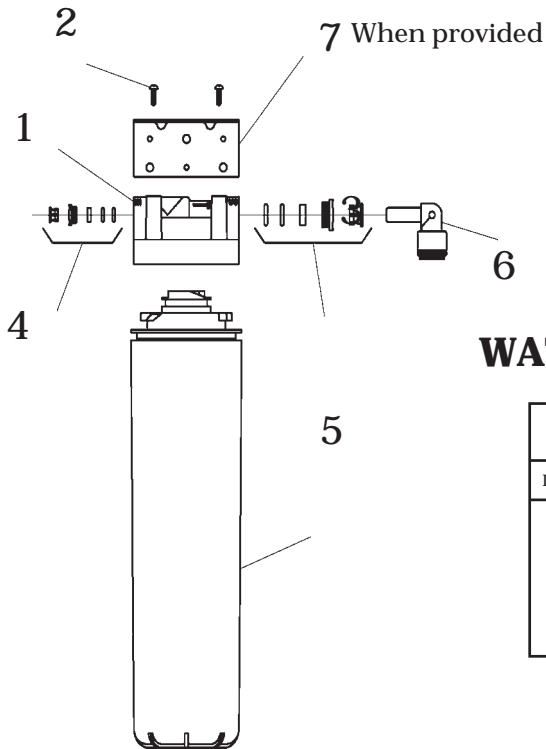


FIG. 7

WATERSENTRY® Filter Detail

WATERSENTRY® FILTER PARTS LIST (See Fig. 7)		
ITEM NO.	PART NO.	DESCRIPTION
1	51294C	Filter Head Assy.
2	70792C	Screw #8-18 x .75 PH
3	70823C	Fitting - Superseal 3/8" (10 mm)
4	70822C	Fitting - Superseal 3/8" (6 mm)
5	51299C	Filter Assy
6	70818C	Elbow - 3/8" (10mm)
7	22490C	Bracket

115V PARTS LIST

ITEM NO.	PART NO.	DESCRIPTION
1	111411443890	Screw - #8-36 x .38 Tri-lobed
2	56228C	Assembly Shroud - Upper
3	36263C	Sensor EE - VFM
4	38417001	Screw - #10 x .37 PHTC
5	36004C	Wire - Jumper
6	56282C	Pushbar - Front VFM
7	56074C	Pushbar - Side
8	56118C	Drain Fitting
9	56182C	Adapter - Drain
10	75580C	Nut Lock 3/8 x 18
11	66654C	Regulator
12	28401C	Bracket - Hanger
13	56237C	Shroud - Fan
14	56082C	Nut - Regulator
15	35978C	Power Cord
16	30664C	Fan Blade
17	70018C	Hex Nut - Fan Blade
18	31490C	Fan Motor
19	33133000	Adapt - Tab .250
20	66723C	Tube - Evap. to Base
21	27416C	Wrapper - Stainless
	27413C	Wrapper - Light Grey
22	40322C	Orifice Assy.
23	56092C	Poly Tubing (Cut to Length)
24	36247C	Valve - Solenoid
25	66743C	Condenser
26	66703C	Drier
27	101474551730	Stud - Compressor Mtg.
28	100806740570	Grommet - Compressor Mtg.
29	19037000	Clip - Compressor Mtg.
*30	36094C	Compressor Serv. Pack EMI70HNR
31	35959C	Relay
32	35768C	Cover - Relay
33	36158C	Overload
34	66576C	Heat Exchanger
35	66721C	Drain Tube
36	70444C	Clamp - Drain Fitting
37	55001109	Basin - Stainless Steel
38	31513C	Cold Control
39	66533C	Evaporator Assy. (4 GPH)
	66534C	Evaporator Assy. (8 GPH)
40	56073C	Bubbler Assy.
41	56011C	Housing Assy.
42	55997C	Pedestal
43	56213C	Panel - Access
44	75532C	Screw - #10-16 x .63 THSM
45	98169C	Kit - Replacement Cap/Screen/O-Ring
46	98368C	Label LZO-VFM
47	75710C	Screw 2-28 x .250 48-2 Plastite

*** INCLUDES RELAY & OVERLOAD. IF UNDER WARRANTY, REPLACE WITH SAME COMPRESSOR USED IN ORIGINAL ASSEMBLY.**

NOTE: All correspondence pertaining to any of the above water coolers or orders for repair parts MUST include Model No. and Serial No. of cooler, name and part number of replacement part.

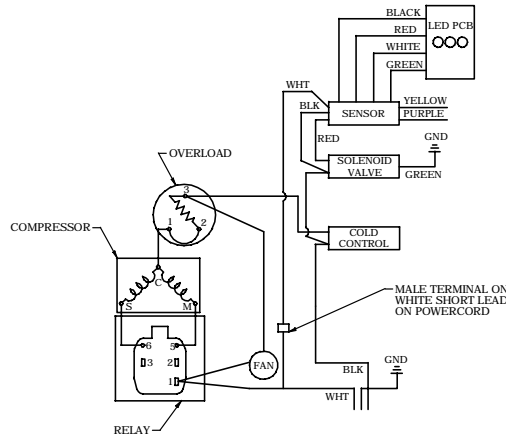


FIG. 8
WIRING DIAGRAM - LZO 115V

REPAIR SERVICE INFORMATION TOLL FREE NUMBER 1.800.260.6640
 NÚMERO GRATIS DE SERVICIO 1.800.260.6640
 INFORMATIONS POUR LE SERVICE PAR NUMERO SANS FRAIS 1.800.260.6640

FOR PARTS, CONTACT YOUR LOCAL DISTRIBUTOR OR CALL 1.800.323.0620
 PARA PIEZAS, CONTACTE A SU DISTRIBUIDOR LOCAL O LLAME AL 1.800.323.0620
 POUR OBTENIR DES PIÈCES, CONTACTEZ VOTRE DISTRIBUTEUR LOCAL OU COMPOSEZ LE 1.800.323.0620

ELKAY MANUFACTURING COMPANY • 2222 CAMDEN COURT • OAK BROOK, IL 60523 • 630.574.8484

PRINTED IN U.S.A.
 IMPRESO EN LOS E.E.U.U.
 IMPRIME AUX E.-U.