

With FLEXI-GUARD®

Installation/Care/Use Manual

USES HFC-134A REFRIGERANT

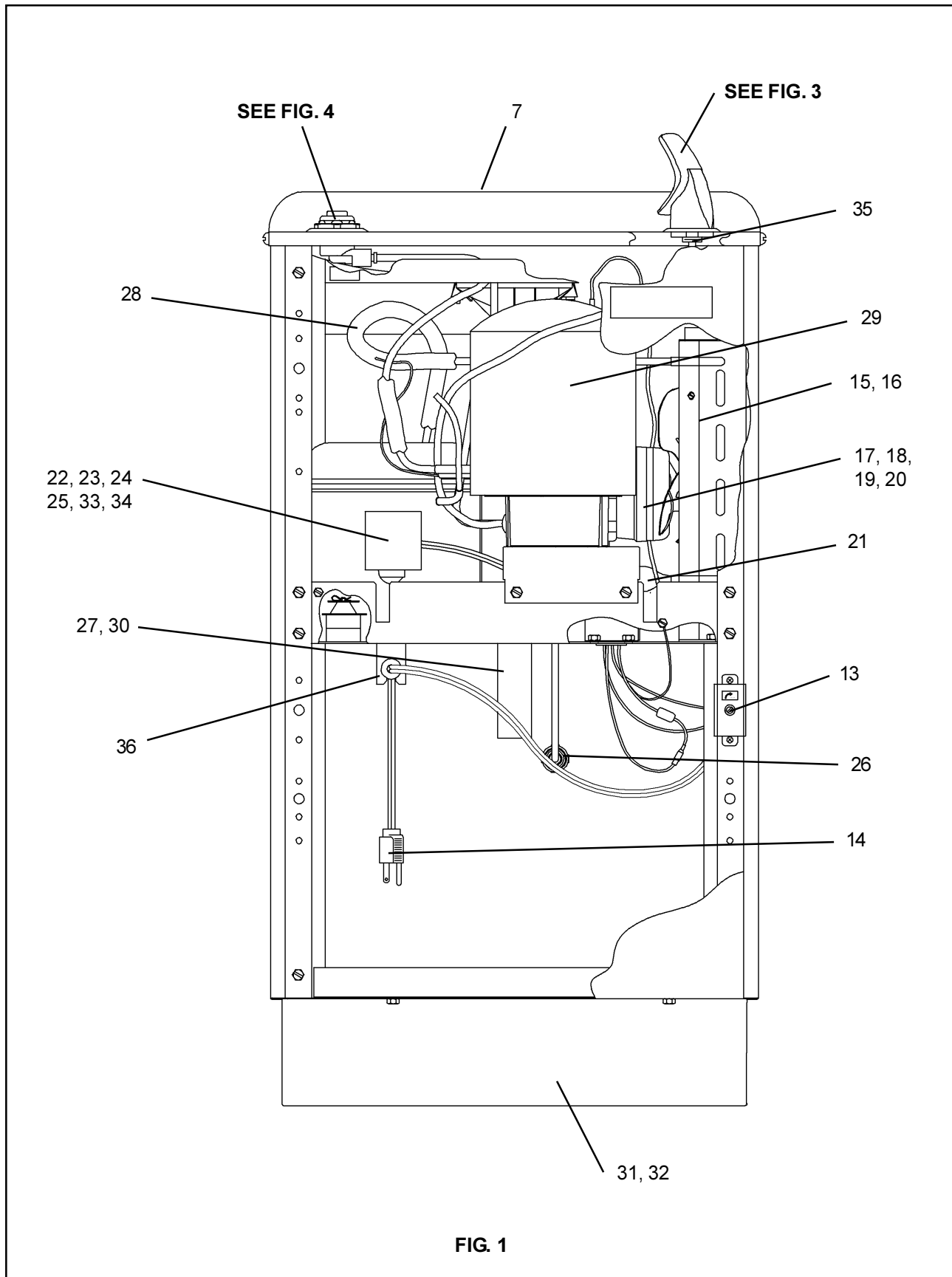


FIG. 1

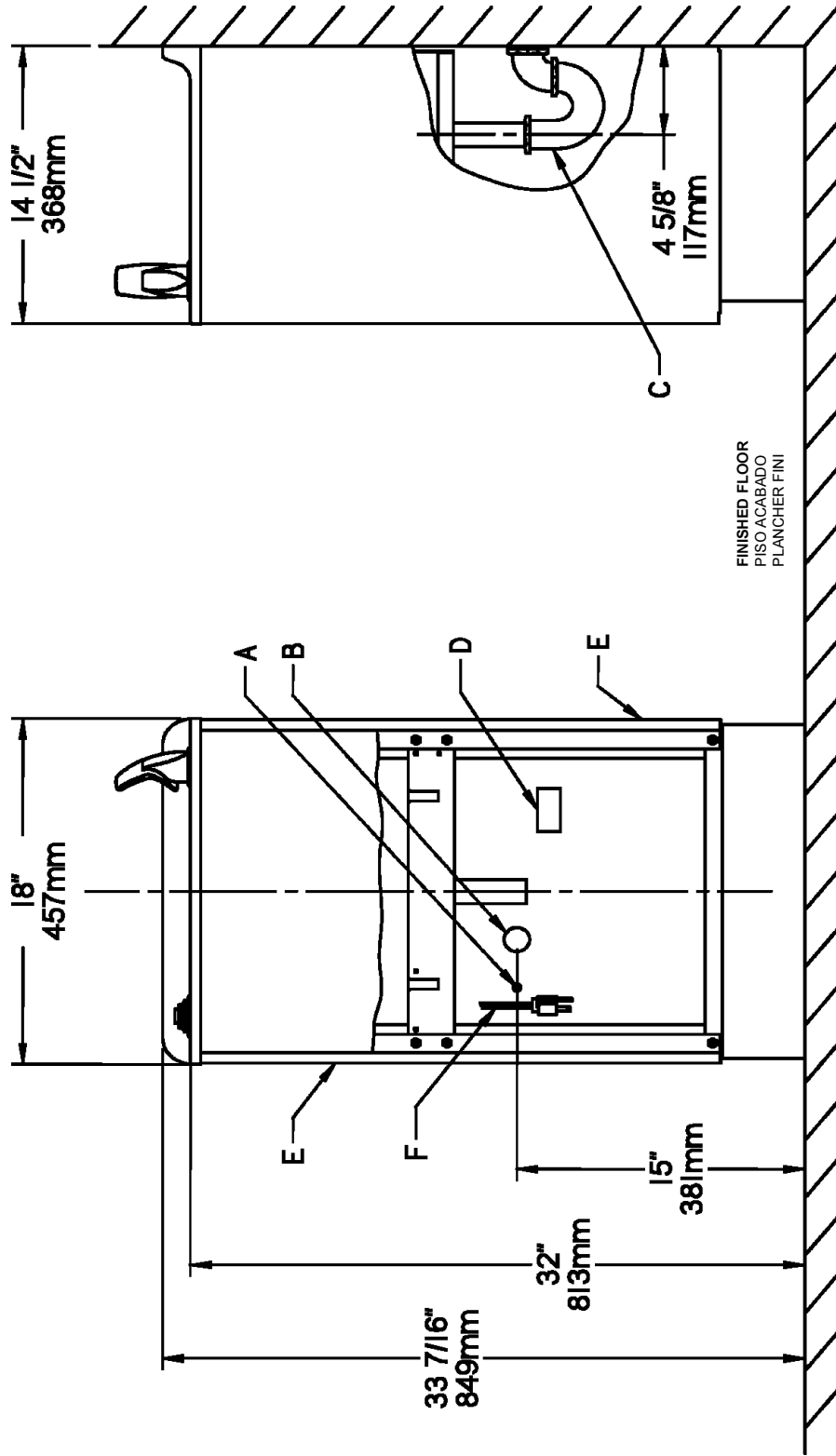
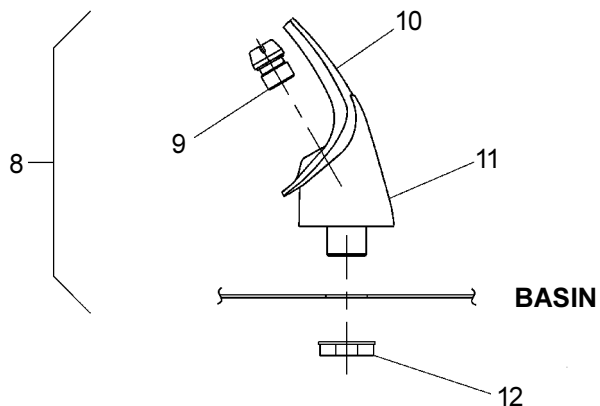


FIG. 2

LEGEND/LEYENDA/LÉGENDE

- A = RECOMMENDED WATER SUPPLY LOCATION 3/8 O.D. UNPLATED COPPER TUBE CONNECT STUB OUT 1-1/2 IN. (38mm) FROM WALL SHUT OFF BY OTHERS**
SE RECOMIENDA UBICAR EL TUBO CORTO DE CONEXIÓN AL TUBO DE COBRE SIN CHAPAR DE 3/8" DE DIÁM. EXT. A 1-1/2" (38 mm) FUERA DE LA LLAVE DE PASO EN LA PARED COLOCADA POR TERCEROS.
EMPLACEMENT RECOMMANDÉ D'ALIMENTATION EN EAU PAR TUBE EN CUIVRE NON PLAQUÉ DE 3/8 PO. (9.5 mm) D.E. CONNECTANT UNE TUYAUTERIE DE 1-1/2 PO. (38 mm) DEPUIS LE ROBINET D'ARRÊT FOURNI PAR D'AUTRES.
- B = RECOMMENDED LOCATION FOR WASTE OUTLET 1-1/4" O.D. DRAIN**
UBICACIÓN RECOMENDADA PARA EL DRENAJE DE SALIDA DE AGUA, DE 1 1/4" DE DIÁMETRO.
EMPLACEMENT RECOMMANDÉ POUR LE DRAIN DE D.E. 1-1/4" DE SORTIE D'EAU.
- C = 1-1/4 TRAP NOT FURNISHED**
PURGADOR DE 1 1/4 NO PROPORCIONADO
SIPHON 1-1/4 NON FOURNI
- D = ELECTRICAL OUTLET LOCATION**
UBICACIÓN DE LA TOMA DE ELECTRICIDAD
EMPLACEMENT DE LA PRISE DE COURANT
- E = INSURE PROPER VENTILATION BY MAINTAINING 4" (102mm) (MIN.) CLEARANCE FROM CABINET LOUVERS TO WALL.**
ASEGURE UNA VENTILACIÓN ADECUADA MANTENIENDO UN ESPACIO E 4" (102mm) (MIN.) DE HOLGURA ENTRE LA REJILLA DE VENTILACIÓN DEL MUEBLE Y LA PARED
ASSUREZ-VOUS UNE BONNE VENTILATION EN GARDANT 4" (102mm) (MIN.) ENTRE LES ÉVÉNENTS DE L'ENCEINTE ET LE MUR.
- F = POWER CORD 4 FEET (1219mm) LONG**
CABLE ELÉCTRICO DE 4 PIE (1219mm), DE LARGO CORDON D'ALIMENTATION 4' (1219mm)



**NOTE:
 WHEN INSTALLING REPLACEMENT
 BUBBLER AND PEDESTAL, TIGHTEN
 NUT (ITEM 12) ONLY TO HOLD PARTS
 SNUG IN POSITION.
 DO NOT OVER TIGHTEN.**

FIG. 3

Stream height is factory set at 35 PSI. If supply pressure varies greatly from this, remove Items 1 & 2 and adjust screw on Item 4. Clockwise adjustment will raise stream and counter-clockwise adjustment will lower stream. For best adjustment, stream should hit basin approximately 6-1/2" (165mm) from bubbler.

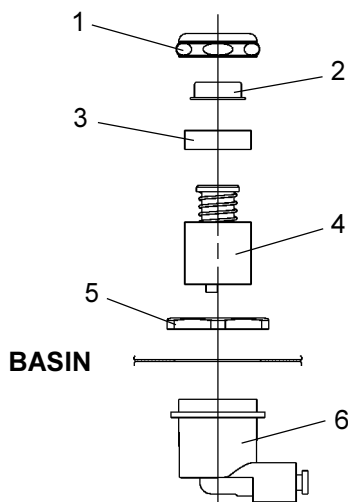


FIG. 4

PARTS LIST 115V

ITEM NO.	PART NO.	DESCRIPTION
1	40089C	Cover
2	40048C	Button
3	15005C	Regulator Retaining Nut
4	61313C	Regulator
5	40169C	Hex Nut
6	50986C	Regulator Holder
7	20776C	Basin
8	56073C	Bubbler Assy
9	40322C	Orifice Assy
10	56011C	Housing Assy
11	55997C	Pedestal
12	75580C	Bubbler Locknut
13	31513C	Cold Control
14	35886C	Power Cord
15	66432C	Condenser
16	21516C	Fan Shroud
17	31492C	Fan Motor
18	30664C	Fan Blade
19	20239C	Fan Bracket
20	70018C	Fan Blade Nut
21	66203C	Drier
*22	35775C	Compressor Serv. Pak
23	35840C	Overload
24	35768C	Relay Cover
25	194243901550	Electrical Shield
26	55996C	Strainer
27	45698C	Tailpipe Assy
28	66445C	Heat Exchanger
29	66506C	Evaporator
30	50368C	Receptor-Drain
31	27247C	Base
32	27248C	Angle
33	35843C	Relay
34	35844C	Capacitor
35	56092C	Tubing - Poly (Cut to Length)
36	27961C	Brkt - Strain Relief

220/240v 50/60 Hz

ITEM NO.	PART. NO.	DESCRIPTION
14	36024C	Power Cord
17	31430C	Fan Motor
22*	35764C	Compressor Serv. Pak
23	36177C	Overload
24	35768C	Relay Cover
33	36178C	Relay
NS	35826C	Inlet Power
36	27962C	Brkt - Power Inlet

*INCLUDES RELAY & OVERLOAD. IF UNDER WARRANTY, REPLACE WITH SAME COMPRESSOR USED IN ORIGINAL ASSEMBLY.

NOTE: All correspondence pertaining to any of the above water coolers or orders for repair parts MUST include Model No. and Serial No. of cooler, name and part number of replacement part.

COLOR TABLE	LEFT PANEL	RIGHT PANEL (w/ hole)	RIGHT PANEL (w/o hole)	FRONT PANEL
Gray Beige	21072C	21073C	28111C	20675C
Almond	21472C	21473C	28114C	20676C
Stainless Steel	21080C	21081C	28110C	20672C
Sandalwood	21470C	21471C	28112C	21454C
Granite	27159C	27162C	28113C	27150C
Light Gray	28387C	N/A	28388C	21455C