

Installation/Care/Use Manual

USES HFC-134A REFRIGERANT

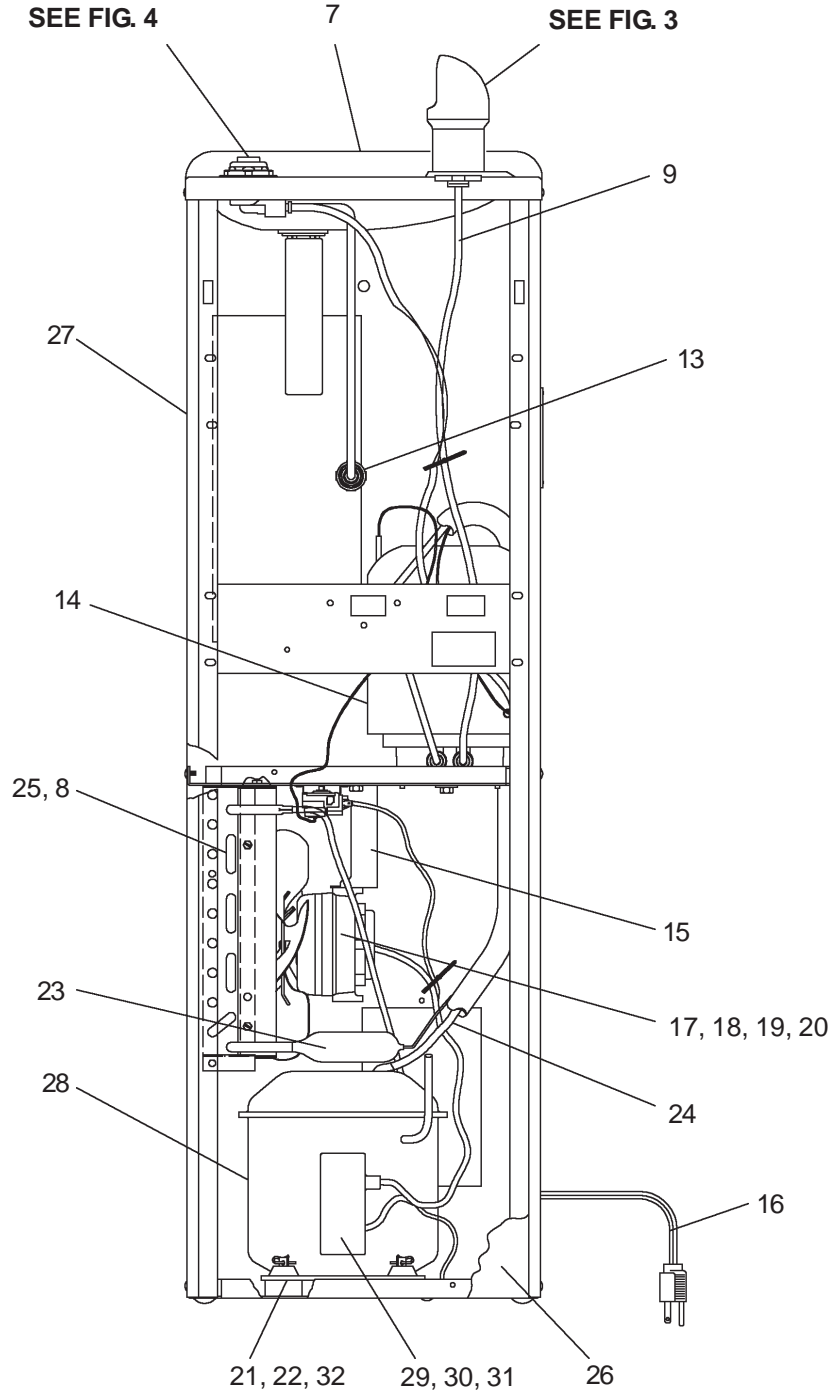


FIG. 1

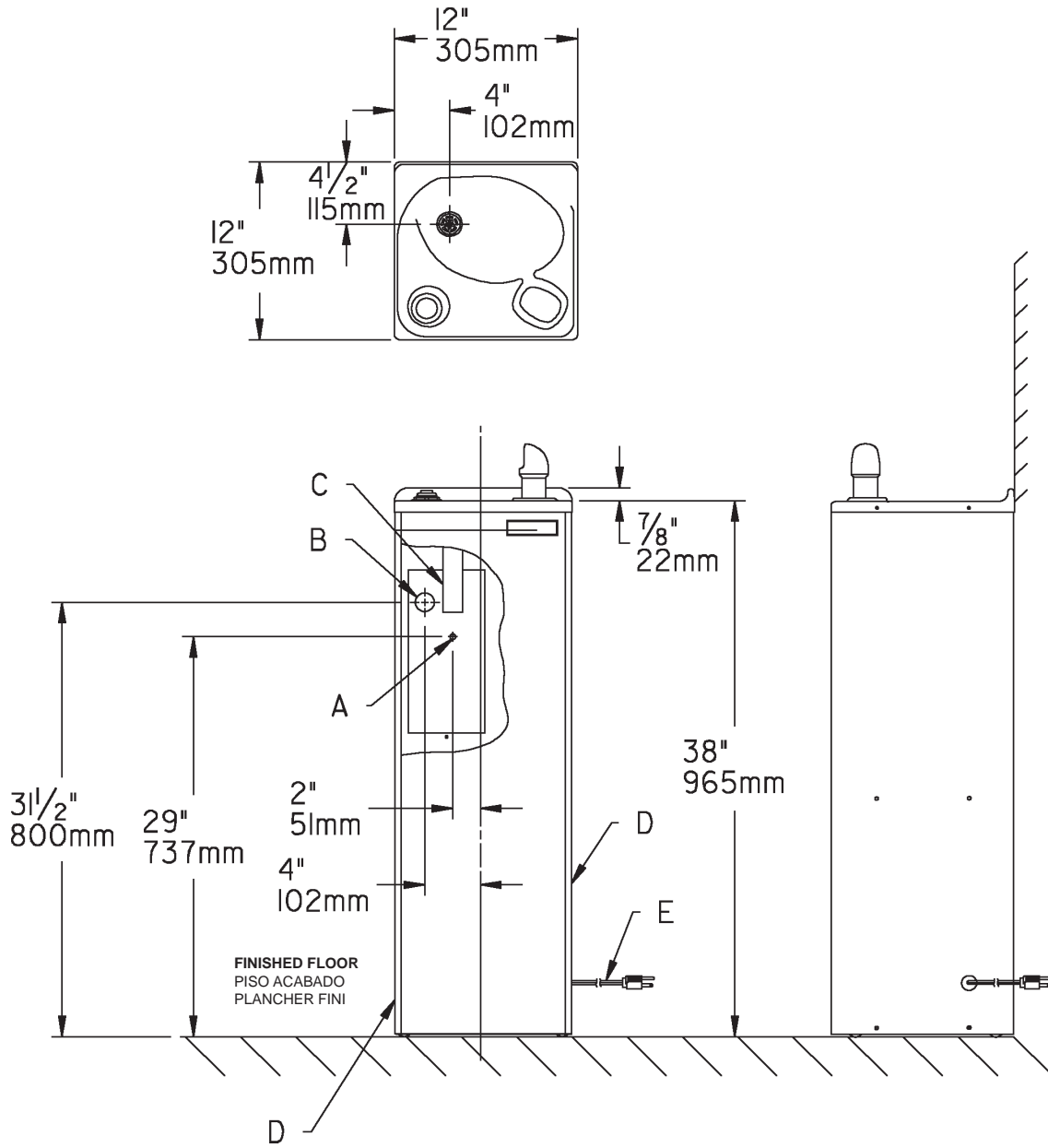


FIG. 2

LEGEND/LEYENDA/LÉGENDE

A = RECOMMENDED WATER SUPPLY LOCATION 3/8" O.D. UNPLATED COPPER TUBE CONNECT STUB 1-1/2" (38mm) OUT FROM WALL SHUT OFF BY OTHERS

SE RECOMIENDA UBICAR EL TUBO DE CONEXIÓN AL TUBO DE COBRE SIN CHAPAR DE 3/8" DE DIAM. EXT. A 1-1/2" (38mm) FUERA DE LA LLAVA DE PASO EN LA PARED COLOCADA POR TERCEROS.
EMPLACEMENT RECOMMANDÉ D'ALIMENTATION EN EAU PAR TUBE EN CUIVRE NON PLAQUÉ DE 3/8 PO. (9,5mm) D.E. CONNECTANT UNE TUYAUTERIE DE 1-1/2 PO. (38mm) DEPUIS LE ROBINET D'ARRET FOURNI PAR D'AUTRES.

B = RECOMMENDED LOCATION FOR WASTE OUTLET 1-1/4" O.D. DRAIN

UBICACIÓN RECOMENDADA PARA EL DRENAJE DE SALIDA DE AGUA, DE 1-1/4" DE DIÁMETRO.
EMPLACEMENT RECOMMANDÉ POUR LE DRAIN DE D.E. 1-1/4" DE SORTIE D'EAU.

C = 1-1/4" TRAP NOT FURNISHED

PURGADOR DE 1-1/4 NO PROPORCIONADO
SIPHON 1-1/4 NON FOURNI

D = INSURE PROPER VENTILATION BY MAINTAINING 4" (102mm) (MIN.) CLEARANCE FROM CABINET LOUVERS TO WALL.

ASEGURE UNA VENTILACIÓN ADECUADA MANTENIENDO UN ESPACIO E 4" (102mm) (MÍN.) DE HOLSURA ENTRE LA REJILLA DE VENTILACIÓN DEL MUEBLE Y LA PARED
ASSUREZ-VOUS UNE BONNE VENTILATION EN GARDANT 4" (102mm) (MÍN.) ENTRE LES ÉVENTS DE L'ENCEINTE ET LE MUR.

E = POWER CORD 4 FEET (1219mm) LONG

CABLE ELÉCTRICO DE 4 PIE (1219mm), DE LARGO
CORDON D'ALIMENTATION 4' (1219mm)

Note: When installing replacement bubbler, tighten nut (Item 12) only to hold parts snug in position. **Do not over tighten.**

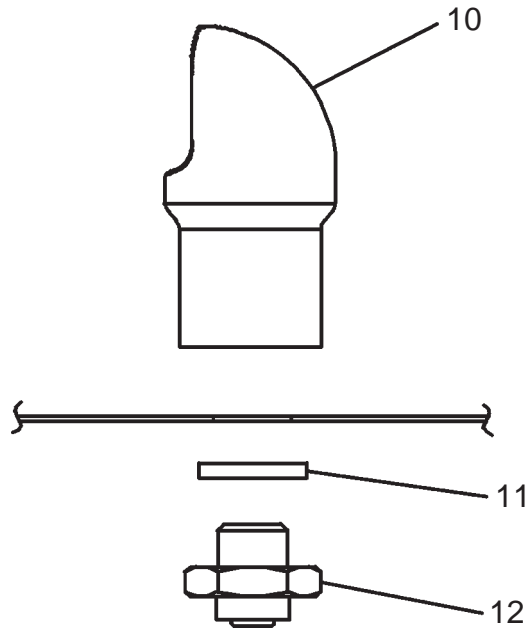


FIG. 3

Stream height is factory set at 35 PSI. If supply pressure varies greatly from this, remove Items 1 & 2 and adjust screw on Item 4. Clockwise adjustment will raise stream and counter-clockwise adjustment will lower stream. For best adjustment, stream should hit basin approximately 6-1/2" (165mm) from bubbler.

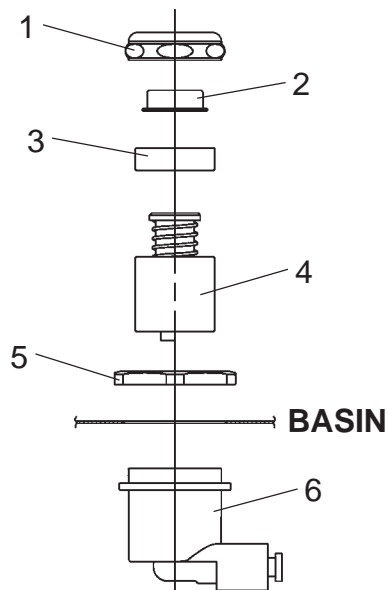
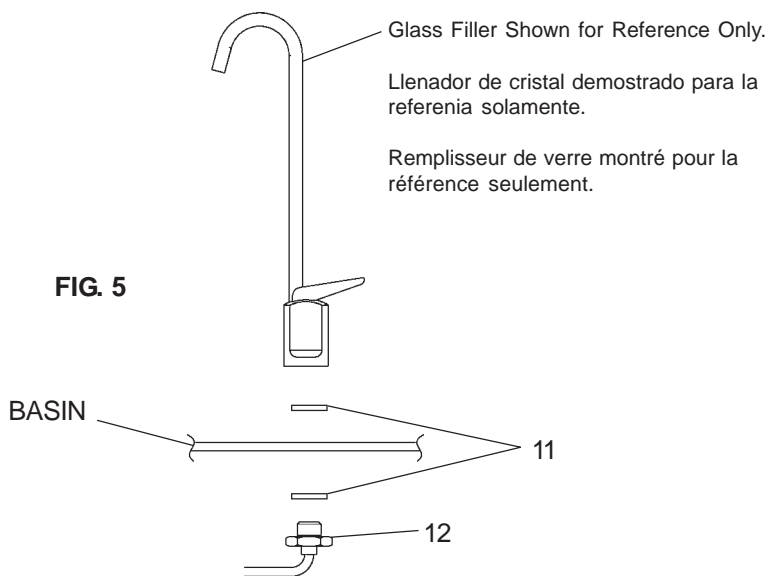


FIG. 4

| PARTS LIST 115V | | |
|-----------------|--------------|-------------------------------|
| ITEM NO. | PARTNO. | DESCRIPTION |
| 1 | 40089C | Cover |
| 2 | 40048C | Button |
| 3 | 15005C | Regulator Retaining Nut |
| 4 | 61313C | Regulator |
| 5 | 40169C | Hex Nut |
| 6 | 50986C | Regulator Holder |
| 7 | 21781C | Basin & Drain Assy. |
| | 21782C | Basin & Drain Assy. (GF) |
| 8 | 50189C | Fan - Shroud |
| 9 | 56092C | Poly Tubing (Cut To Length) |
| 10 | 98118C | Bubbler Assembly |
| 11 | 100322740560 | Washer |
| 12 | 15009C | Bubbler Nipple |
| 13 | 55996C | Strainer |
| 14 | 66506C | Evaporator Assy |
| 15 | 31513C | Cold Control |
| 16 | 31501C | Power Cord |
| 17 | 31490C | Fan Motor |
| 18 | 30664C | Fan Blade |
| 19 | 70018C | Fan Blade Nut |
| 20 | 20282C | Fan Motor Bracket |
| 21 | 50144C | Grommet - Compressor Mtg. |
| 22 | 19037000 | Clip - Compressor Mtg. |
| 23 | 66203C | Drier |
| 24 | 66558C | Heat Exchanger |
| 25 | 66305C | Condenser |
| 26 | 20460C | Front Panel (Stainless Steel) |
| | 21482C | Front Panel (Sandalwood) |
| 27 | 21239C | Cabinet (Stainless Steel) |
| | 21486C | Cabinet (Sandalwood) |
| *28 | 35774C | Compressor Serv. Pak FF10HBK |
| 29 | 35768C | Cover - Relay |
| 30 | 36222C | Overload |
| 31 | 36221C | Relay |
| 32 | 75670C | Stud - Compressor Mtg. |

*REPLACE WITH SAME COMPRESSOR USED IN ORIGINAL ASSEMBLY.
 NOTE: All correspondence pertaining to ELKAY water coolers or orders for repair parts MUST include Model No. and Serial No. of cooler, name and part number of replacement part.



REPAIR SERVICE INFORMATION TOLL FREE NUMBER 1.800.260.6640
 FOR PARTS, CONTACT YOUR LOCAL DISTRIBUTOR OR CALL 1.800.323.0620