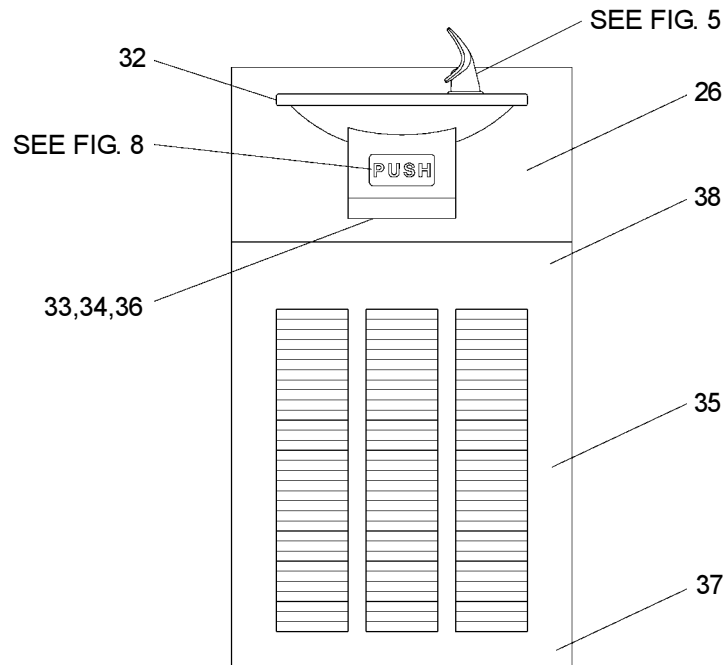


Installation/Care/Use Manual

SwirlFlo® Refrigerated Fountains with FLEXI-GUARD®



Installer

To assure you install this model easily and correctly, PLEASE READ THESE SIMPLE INSTRUCTIONS BEFORE STARTING THE INSTALLATION. CHECK YOUR INSTALLATION FOR COMPLIANCE WITH PLUMBING, ELECTRICAL AND OTHER APPLICABLE CODES. After installation, leave these instructions inside the fountain for future reference.

IMPORTANT

ALL SERVICE TO BE PERFORMED BY AN AUTHORIZED SERVICE PERSON

IMPORTANT! INSTALLER PLEASE NOTE.

THE GROUNDING OF ELECTRICAL EQUIPMENT SUCH AS TELEPHONE, COMPUTERS, ETC. TO WATER LINES IS A COMMON PROCEDURE. THIS GROUNDING MAY BE IN THE BUILDING OR MAY OCCUR AWAY FROM THE BUILDING. THIS GROUNDING CAN CAUSE ELECTRICAL FEEDBACK INTO A FOUNTAIN, CREATING AN ELECTROLYSIS WHICH CAUSES A METALLIC TASTE OR AN INCREASE IN THE METAL CONTENT OF THE WATER. THIS CONDITION IS AVOIDABLE BY USING THE PROPER MATERIALS AS INDICATED. ANY DRAIN FITTINGS PROVIDED BY THE INSTALLER SHOULD BE MADE OF PLASTIC TO ELECTRICALLY ISOLATE THE FOUNTAIN FROM THE BUILDING PLUMBING SYSTEM.

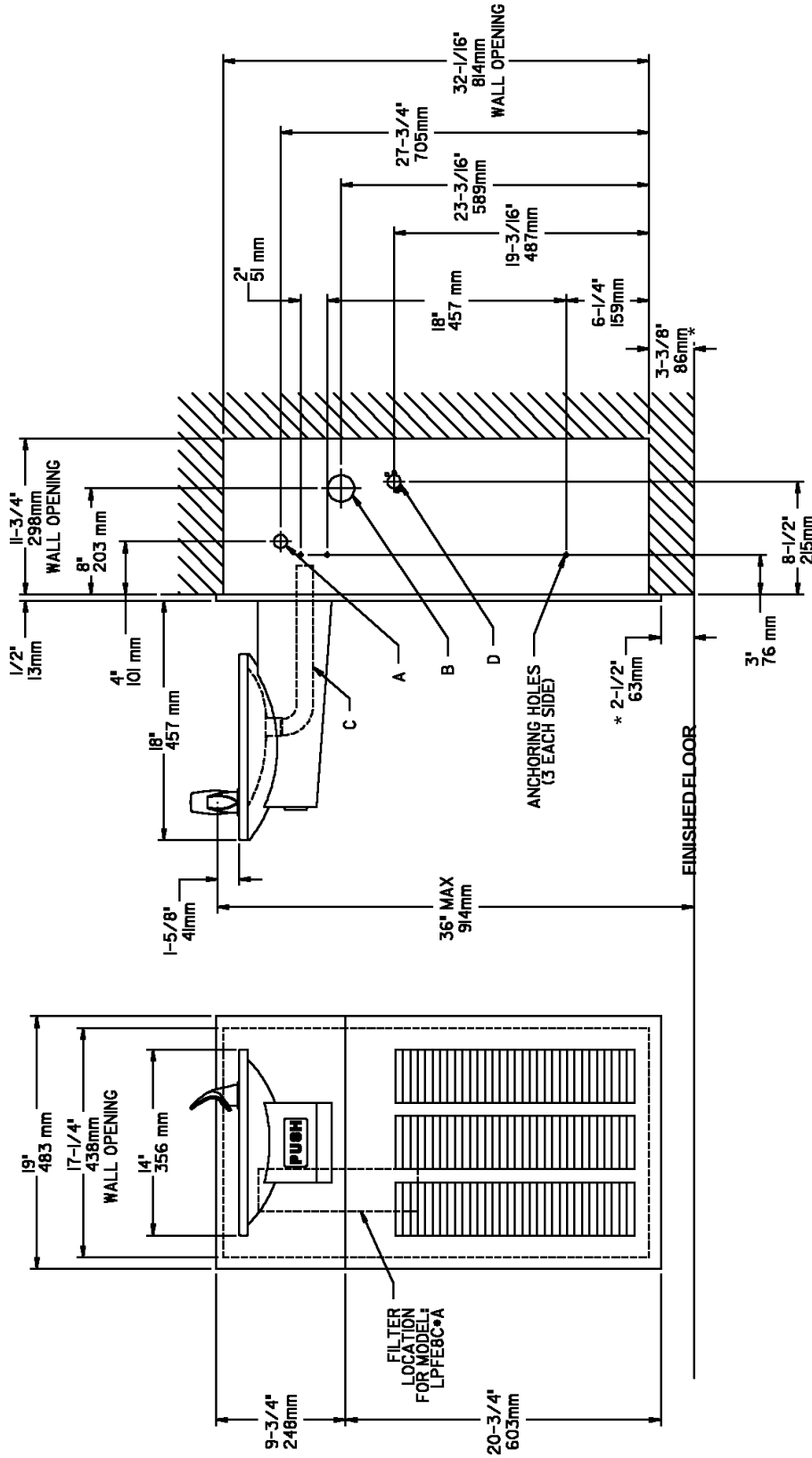


FIG. 1

LEGEND
 A = RECOMMENDED WATER SUPPLY LOCATION 3/8 O.D. UNPLATED
 COPPER TUBE CONNECT STUB 1-1/2" (38mm) OUT FROM WALL
 SHUT OFF BY OTHERS
 B = RECOMMENDED LOCATION FOR WASTE OUTLET 1-1/4" O.D. DRAIN
 C = 1-1/4 TRAP NOT FURNISHED

D = ELECTRICAL OUTLET LOCATION (BOTH SIDES)
 * DIMENSIONS SHOWN ARE BASED ON 36" (914mm)
 FLOOR TO BUBBLER ORIFICE HEIGHT. (WHEELCHAIR FOUNTAIN)
 CHECK LOCAL CODES.

INSTALLATION INSTRUCTIONS

1. **Fasten mounting box** into wall cutout using (6) screws or bolts (provided by others) through holes or knockouts provided on each side of the mounting box. (See Fig. 1)
2. **Mount back panel** using (2) #8 x .50 (13mm) pan head screws and (2) large clips provided.
3. **Secure fountain body** through back panel to wall box using (4) 5/16" - 18 x 1.75" (44mm) hex head bolts, (4) 5/16" - 18 nuts and (2) spacers provided. Use spacers with bottom bolts when securing fountain body.
4. **Place refrigeration package inside mounting box** and connect water outlet tube on refrigeration package to water in tube on regulator holder (Item 10) with tubing and fitting provided. (See Fig 2)
5. **Water inlet is 3/8" O.D. and waste tube is 1-1/4" O.D.** (Both provided) 1-1/4" O.D. slip trap (provided by others).
6. **Connecting lines to be unplated copper and thoroughly flushed** to remove all foreign matter before connecting to refrigeration package. The furnished strainer (Item 24) should be added to the supply line.
7. **Connect refrigeration package to supply line** with a shut off valve and install a 3/8" unplated copper water line between the valve and the cooler. Remove burrs from outside of water line. Insert water line straight into fittings until they reach a positive stop, approximately 3/4" (19mm). (See Fig. 6 and 7) **DO NOT SOLDER TUBES INSERTED INTO THE STRAINER AS DAMAGE TO THE O-RINGS MAY RESULT.**
8. **Electrical: Insure power supply is identical in voltage, hertz, and phase** to that specified on the refrigeration package serial plate. Never wire compressor directly to the power supply.
9. **Turn water supply on** and check thoroughly for leaks.
10. **Release air from tank** by depressing push bar; a steady stream of water assures all air is removed.
11. **Re-check for leaks.**
12. **Stream height is factory set at 35 PSI.** If supply pressure varies greatly from this, turn adjustment screw on regulator (Item 12). Clockwise adjustment will raise the stream height and counter-clockwise adjustment will lower stream height. For best adjustment, stream should hit basin approximately 6-1/2" from the bubbler.
13. **Rotate fan blade on refrigeration package** to insure proper clearance and free fan action.
14. **Connect power supply.**
15. **Replace access panel and install grill** using (2) #8 x 1.00" (25mm) pan head screws and (2) small clips provided.

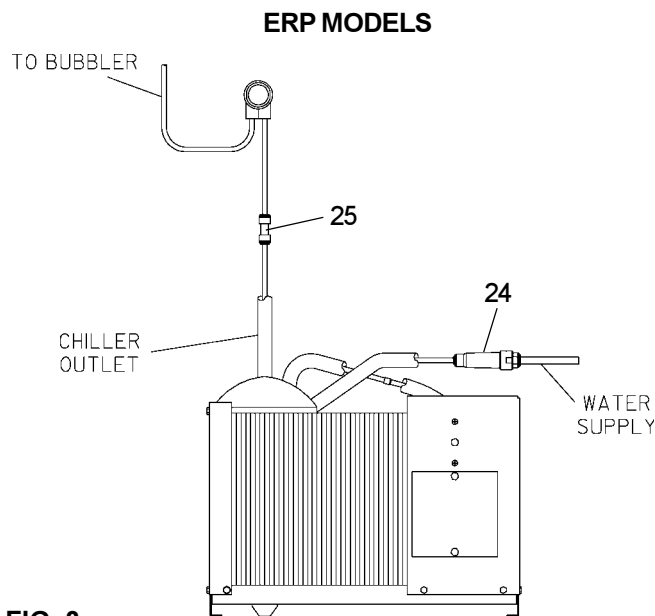


FIG. 2

LPFE MODELS (Replaces Item 24)

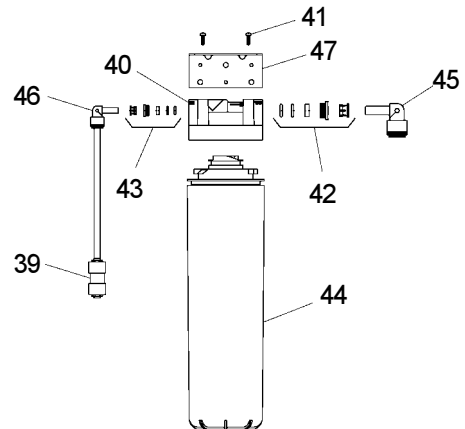


FIG. 3 DESIGN 2000® FILTER

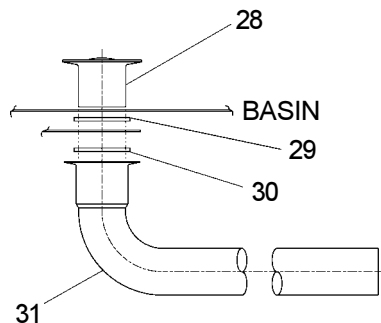
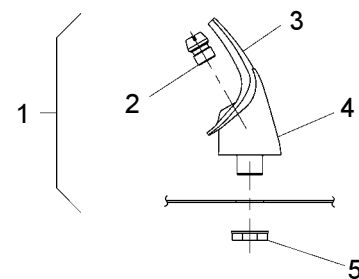


FIG. 4



NOTE:
 WHEN INSTALLING REPLACEMENT BUBBLER
 AND PEDESTAL, TIGHTEN NUT (ITEM 5)
 ONLY TO HOLD PARTS SNUG IN POSITION.
 DO NOT OVER TIGHTEN.

FIG. 5

PARTS LIST		
ITEM NO.	PART NO.	DESCRIPTION
1	51349C	BUBBLER ASSY
	56044C	BUBBLER ASSY (BRONZETONE)
2	40322C	ORIFICE ASSY
	45383C	ORIFICE ASSY (BRONZETONE)
3	50934C	HOUSING ASSY
4	50168C	PEDESTAL
	56042C	PEDESTAL (BRONZETONE)
5	70012C	BUBBLER LOCKNUT
6	21804C	PUSH BAR MOUNTING BRACKET
7	21810C	PUSH BAR ASSY
	21833C	PUSH BAR ASSY (BRONZETONE)
8	21806C	REGULATOR ACTIVATOR ARM
9	70426C	SCREW - #8-32 X .25 THMS
10	50986C	HOLDER - REGULATOR
11	40045C	HEX NUT
12	61313C	REGULATOR
13	15005C	RETAINING NUT
14	75555C	CLIP
15	50198C	BUSHING - NYLON
16	70410C	ROD - PIVOT
17	70425C	ROD - PIVOT
18	70378C	ROD - PUSH
19	21705C	CLIP - PUSH ROD
20	70002C	SCREW #10 X .50 HHSM
21	21844C	PIVOT ROD BRACKET
22	40206000	RETAINER
23	70208C	SCREW #10-24 X .37 PHTC
24	55996C	STRAINER
25	70683C	UNION - 1/4 X 1/4
26	55000942	BACK PANEL ASSY
	21839C	BACK PANEL ASSY (BRONZETONE)
27	21803C	REGULATOR MOUNTING BRACKET
28	45336C	STRAINER & FERRULE ASSY
	45337C	STRAINER & FERRULE ASSY (BRONZETONE)
29	50074C	GASKET - TAILPIPE
30	50377C	GASKET - TAILPIPE
31	45330C	WASTE ARM
32	55001026	BASIN SWIRLFLOW
	21827C	BASIN SWIRLFLOW (BRONZETONE)
33	21823C	FOUNTAIN BODY & SHELL
	21832C	FOUNTAIN BODY & SHELL (BRONZETONE)
34	21846C	COVER PLATE
	21836C	COVER PLATE (BRONZETONE)
35	EG23	GRILL
	EG23B	GRILL (BRONZETONE)
36	70055C	SPEED NUT
37	74070032	SPEED NUT #8
38	74130045	CLIP - TINNEMAN
39	70683C	UNION - 1/4
40	51294C	FILTER HEAD ASSY
41	70792C	SCREW - #8-18 X .75" PH
42	70823C	FITTING-SUPERSEAL 3/8" (10mm)
43	70822C	FITTING-SUPERSEAL 1/4" (6mm)
44	51299C	FILTER ASSY
45	70818C	ELBOW-3/8" (10mm)
46	70817C	ELBOW-1/4" (6mm)
47	22490C	FILTER MOUNTING BRACKET

OPERATION OF QUICK CONNECT FITTINGS

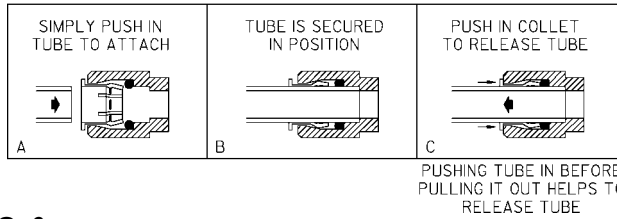


FIG. 6

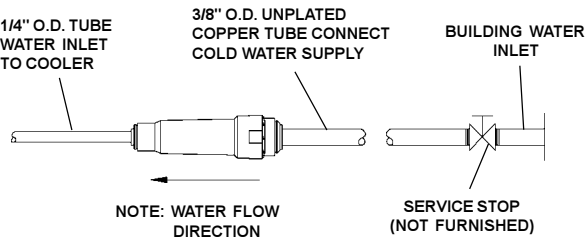
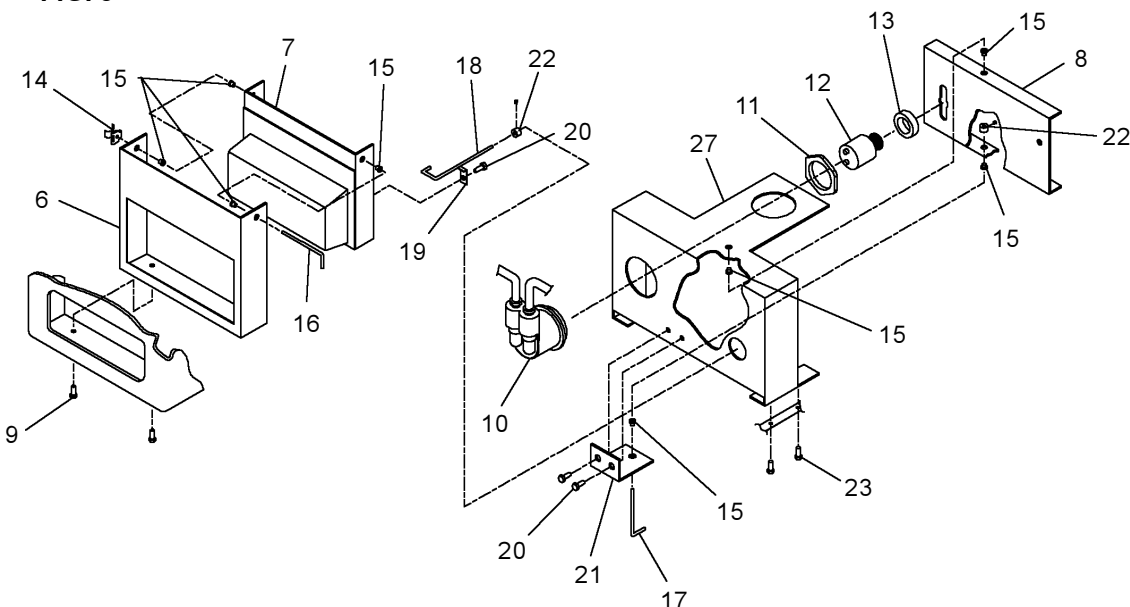


FIG. 7

TROUBLE SHOOTING AND MAINTENANCE

- Orifice Assy:** Minerals deposits on orifice can cause water flow to spurt or not regulate. Mineral deposits may be removed from the orifice with a small round file not over 1/8" diameter or a small diameter wire.
CAUTION: Do not file or cut orifice materials.
- Stream Regulator:** If orifice is free of material deposits regulate water flow according to instructions on page 3.
- CAUTION:** Cleaning of Bronzestone Models requires special care. Outer surfaces must be cleaned with a mild detergent or mixture of vinegar and water only, rinsed and wiped dry. Abrasive and acidic cleaners may eventually damage the Bronzestone finish.

FIG. 8



FOR PARTS, CONTACT YOUR LOCAL DISTRIBUTOR OR CALL 1.800.323.0620
ELKAY MANUFACTURING COMPANY • 2222 CAMDEN COURT • OAK BROOK, IL 60523 • 630.574.8484