

With FLEXI-GUARD®

Installation/Care/Use Manual

USES HFC-134A REFRIGERANT

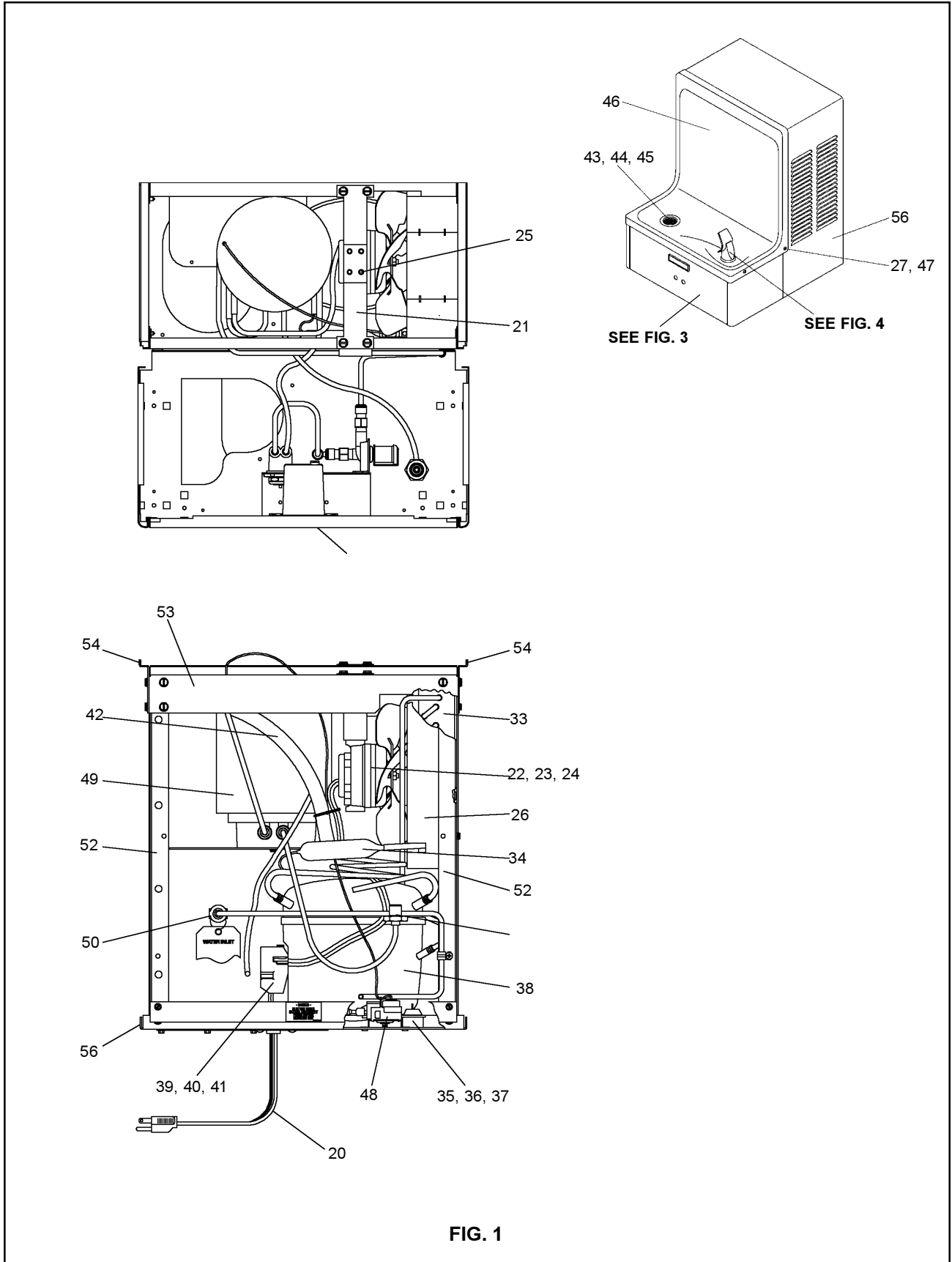


FIG. 1

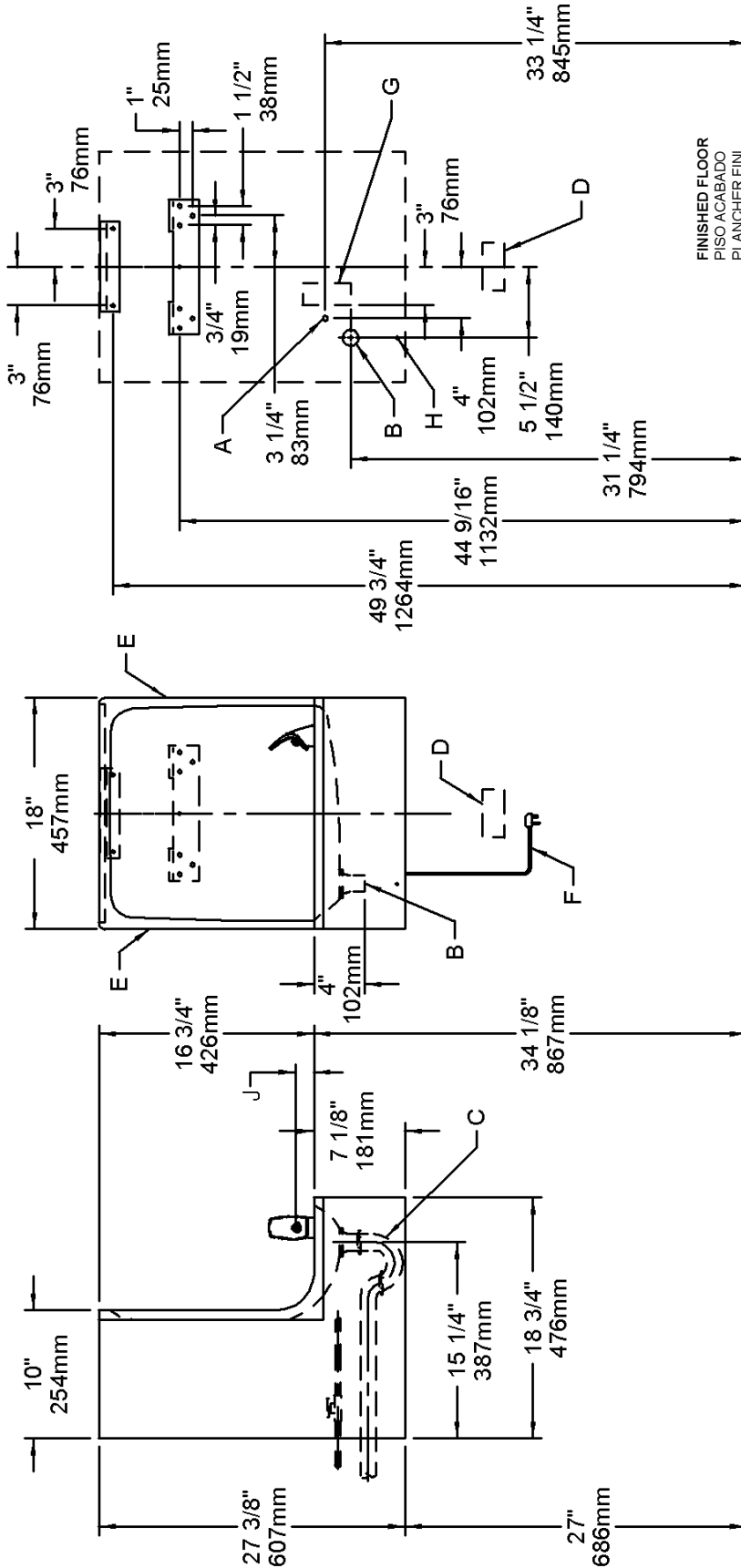


FIG. 2

E = INSURE PROPER VENTILATION BY MAINTAINING 6" (152mm) (MIN.) CLEARANCE FROM CABINET LOUVERS TO WALL. ASEGURE UNA VENTILACIÓN ADECUADA MANTENIENDO UN ESPACIO E 6" (152mm) (MÍN.) DE HOLGURA ENTRE LA REJILLA DE VENTILACIÓN DEL MUEBLE Y LA PARED. ASSUREZ-VOUS UNE BONNE VENTILATION EN GARDANT 6" (152mm) (MIN.) ENTRE LES ÉVÉNEMENTS DE L'ENCEINTE ET LE MUR.

F = POWER CORD 1-1/2 FEET (457mm) LONG. CABLE ELÉCTRICO DE 1/2 PIE. 457 mm DE LARGO. CORDON D'ALIMENTATION 1-1/2' (457mm)

G = ALT. ELECTRICAL OUTLET LOCATION. UBICACION ALT. DE LA TOMA DE ELECTRICIDAD. EMPLACEMENT ALTERNATIF DE LA PRISE DE COURANT.

H = THIS BOLT HOLE MUST BE USED FOR FASTENING UNIT TO WALL. ESTE AGUJERO DE TUERCA DEBERÁ SER USADO PARA ASEGURAR LA UNIDAD A LA PARED. ON DOIT UTILISER CE TROU DE BOULON POUR INSTALLER L'APPAREIL AU MUR.

J = ORIFICE HEIGHT 1-1/4" (32mm) ABOVE RIM. ALTURA DEL ORIFICIO 1-1/4" (32mm) SOBRE LA CORONA. HAUTEUR DE L'ORIFICE 1-1/4" (32mm) AU DESSUS DU REBORD.

LEGEND / LEYENDA / LÉGENDE

A = RECOMMENDED WATER SUPPLY LOCATION 3/8 O.D. UNPLATED COPPER TUBE CONNECT STUB 1-1/2 IN. (38mm) OUT FROM WALL SHUT OFF BY OTHERS. SE RECOMIENDA UBICAR EL TUBO CORTO DE CONEXIÓN AL TUBO DE COBRE SIN CHAPAR DE 3/8" DE DIAM. EXT. A 1-1/2" (38mm) FUERA DE LA LLAVE DE PASO EN LA PARED COLOCADA POR TERCEROS. EMPLACEMENT RECOMMANDÉ D'ALIMENTATION EN EAU PAR TUBE EN CUIVRE NON PLAQUÉ DE 3/8 PO. (9,5 mm) D.E. CONNECTANT UNE TUYAUTERIE DE 1-1/2 PO. (38mm) DEPUIS LE ROBINET D'ARRÊT FOURNI PAR D'AUTRES.

B = RECOMMENDED LOCATION FOR WASTE OUTLET 1-1/4" O.D. DRAIN. UBICACIÓN RECOMENDADA PARA EL DRENAJE DE SALIDA DE AGUA. DE 1 1/4" DE DIÁMETRO. EMPLACEMENT RECOMMANDÉ POUR LE DRAIN DE D.E. 1-1/4" DE SORTIE D'EAU.

C = 1-1/4 TRAP NOT FURNISHED*. PURGADOR DE 1 1/4 NO PROPORCIONADO.**

D = ELECTRICAL OUTLET LOCATION. UBICACIÓN DE LA TOMA DE ELECTRICIDAD. EMPLACEMENT DE LA PRISE DE COURANT.

SENSOR RANGE ADJUSTMENT: The electronic sensor used in this cooler is factory pre-set for a "visual" range of 36 inches (914 mm). If actual range varies greatly from this or a different setting is desired, follow the range adjustment procedure below:

- A. Remove front panel of cooler.
- B. Using a small tip screwdriver, rotate range adjustment screw clockwise to increase range and counterclockwise to decrease range (See Fig. 3).

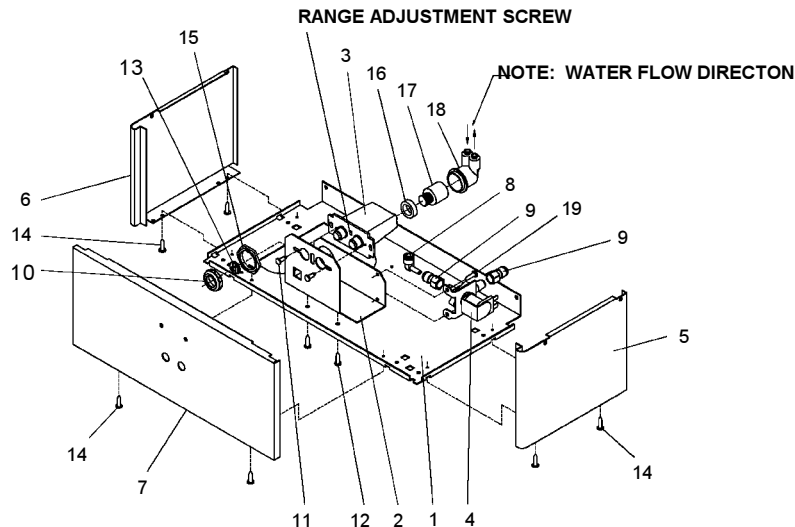
CAUTION: Complete range of sensor (24-28 inches/610-711mm) is only one turn of the adjusting screw.

- C. Replace front panel.

SENSOR CONTROL: If sensor fails to operate valve mechanism or operates erratically, check the following.

- A. Ensure there are no obstructions within a 40 inch (1016mm) radius in front of cooler.
- B. Check wire connections at the solenoid valve and sensor. **CAUTION:** Make sure unit is unplugged before checking any wiring.
- C. Ensure proper operation of solenoid valve. If there is an audible clicking sound yet no water flows, look for an obstruction in the valve itself or elsewhere in the water supply line.

FIG. 3



HANGER BRACKETS & TRAP INSTALLATION

- 1) Remove hanger bracket fastened to back of cooler by removing one (1) screw.
- 2) Mount the hanger bracket and trap as shown in Figure 2. **NOTE:** Hanger Bracket **MUST** be supported securely. Add fixture support carrier if wall will not provide adequate support.

IMPORTANT:

- 7-3/4 in. (197mm) dimension from wall to centerline of trap must be maintained for proper fit.
- Anchor hanger securely to wall using all six (6) 1/4 in. dia. mounting holes.

- 3) Install straight valve for 3/8" O.D. unplated copper tube.

INSTALLATION OF COOLER

- 4) Hang the cooler on the hanger bracket. Be certain the hanger bracket is engaged properly in the slots on the cooler back as shown in Figure 2.
- 5) Loosen the two (2) screws holding the lower front panel at the bottom of cooler base and two (2) screws at the top. Remove the front panel and set aside.
- 6) Connect water inlet line--See Note 4 of General Instructions.
- 7) Remove the slip nut and gasket from the trap and install them on the cooler waste line making sure that the end of the waste line fits into the trap. Assemble the slip nut and gasket to the trap and tighten securely.

START UP

Also See General Instructions

- 8) Stream height is factory set at 35 PSI. If supply pressure varies greatly from this, adjust screw, accessible by removing front panel (Item 7, Fig. 3). CW adjustment will raise stream and CCW adjustment will lower stream. For best adjustment, stream should hit basin approximately 6-1/2" (165mm) from bubbler.
- 9) Replace the front panel and secure by retightening four (4) screws.

| ITEM NO. | PART NO. | DESCRIPTION |
|----------|-----------------|-------------------------------|
| 1 | 26588C | Panel-Bottom Dispenser |
| 2 | 26866C | Bracket-Valve Mounting |
| 3 | 31516C | Sensor-Clear (115V) |
| | 35783C | Sensor-Clear (230V) |
| 4 | 31272C | Solenoid Valve (115V) |
| | 35784C | Solenoid Valve (230V) |
| 5 | See Color Table | Panel-Right Side |
| 6 | See Color Table | Panel-Left Side |
| 7 | See Color Table | Panel-Front |
| 8 | 70817C | Elbow 1/4 Stem x 1/4 O.D. |
| 9 | 75507C | Fitting 1/4 NPTF x 1/4 O.D. |
| 10 | 40116C | Nut-Cover Unplated |
| 11 | 70644C | Screw-#6-32 x 1/2" Lg. PHMS |
| 13 | 70254C | Clip |
| 12 | 75497C | Screw-#10 x 1/2" Lg. PHSM |
| 14 | 70864C | Screw-#8 x 5/8" Lg. Torx/Slot |
| 15 | 40045C | Hex Nut |
| 16 | 15005C | Retaining Nut |
| 17 | 61314C | Regulator |
| 18 | 50986C | Holder-Regulator |
| 19 | 70002C | Screw-#10 x 1/2" Lg. HHSM |

COLOR TABLE

| PANEL COLOR | Item No. 5 Part No. | Item No. 6 Part No. | Item No. 7 Part No. |
|---------------|---------------------|---------------------|---------------------|
| Gray Beige | 26635C | 26605C | 26731C |
| Almond | 26636C | 26606C | 26732C |
| Stainless Stl | 26637C | 26607C | 26733C |
| Sandalwood | 26638C | 26608C | 26734C |
| Granite | 26641C | 26611C | 26737C |

PARTS LIST 115V

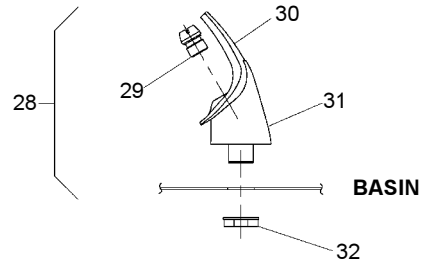
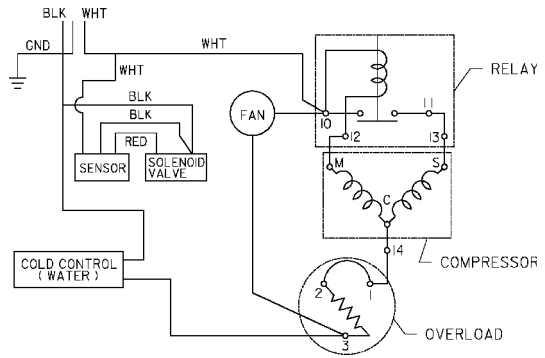
| ITEM NO. | PART NO. | DESCRIPTION |
|----------|-----------------|------------------------------------|
| 20 | 31483C | Power Cord |
| 21 | 27095C | Fan Bracket |
| 22 | 30699C | Fan Blade |
| 23 | 70018C | Hex Nut - Fan Blade |
| 24 | 31490C | Fan Motor 115V |
| 25 | 70009C | Screw - Fan Motor |
| 26 | 50186C | Shroud - Fan |
| 27 | 70241C | Clip (Front and Rear Panels) |
| 28 | 51349C | Bubbler Assembly |
| 29 | 40322C | Orifice Assembly |
| 30 | 50168C | Pedestal |
| 31 | 50934C | Housing Assembly |
| 32 | 70012C | Locknut |
| 33 | 62152C | Condenser |
| 34 | 66202C | Drier |
| 35 | 50144C | Grommet - Compressor Mtg. |
| 36 | 70184C | Hair Pin - Cotter |
| 37 | 70150C | Washer |
| 38* | 35767C | Compressor Serv. Pak FF7.5HBK |
| 38a* | 35947C | Compressor Serv. Pak EM65 |
| 39 | 19-42439-01-550 | Cover-Electrical Shield (Overload) |
| 40 | 31025C | Overload/Relay 1.350.358 |
| 40a | 31039C | Overload/Relay P600B/427NFBYY |
| 41 | 35766C | Cover - Relay |
| 41a | 35768C | Cover - Relay |
| 42 | 66223C | Heat Exchanger |
| 42a | 66501C | Heat Exchanger |
| 43 | 40572C | Tailpipe |
| 44 | 40575C | Strainer Assy |
| 45 | 50074C | Gasket - Tailpipe |
| 46 | 21222C | Basin |
| 47 | 70208C | Screw - Basin Mtg. |
| 48 | 31513C | Cold Control |
| 49 | 62220C | Evaporator Assy |
| 50 | 55996C | Strainer |
| 51 | 70772C | Drain Plug |
| 52 | 27093C | Angle - Bracket Corner |
| 53 | 27094C | Bracket - Front Support |
| 54 | 27096C | Bracket - Basin Mtg. |
| 55 | 27097C | Frame - Back/Bottom |
| 56 | See Color Table | Wrapper |
| 57a | 35935C | Capacitor - Run |

PARTS LIST 230V

| ITEM NO. | PART NO. | DESCRIPTION |
|----------|----------|----------------------|
| 24 | 31430C | Fan Motor |
| *38 | 35763C | Compressor Serv. Pak |
| 40 | 31024C | Overload/Relay |
| 41 | 35768C | Cover-Relay |
| 42 | 66249C | Heat Exchanger |

WIRING DIAGRAM

This Drawing is merely for illustrating the components of the electrical system.



NOTE:
WHEN INSTALLING REPLACEMENT BUBBLER AND PEDESTAL, TIGHTEN NUT (ITEM 32) ONLY TO HOLD PARTS SNUG IN POSITION. DO NOT OVER TIGHTEN.

FIG. 4

*INCLUDES RELAY & OVERLOAD. IF UNDER WARRANTY, REPLACE WITH SAME COMPRESSOR USED IN ORIGINAL ASSEMBLY.
 NOTE: All correspondence pertaining to any of the above water coolers or orders for repair parts MUST include Model No. and Serial No. of cooler, name and part number of replacement part.

| COLOR TABLE | |
|-----------------|----------------------|
| PANEL COLOR | Item No. 56 Part No. |
| Gray Beige | 22706C |
| Almond | 22707C |
| Stainless Steel | 22708C |
| Sandalwood | 22709C |
| Granite | 22711C |