

Installation/Care/Use Manual

USES HFC-134A REFRIGERANT

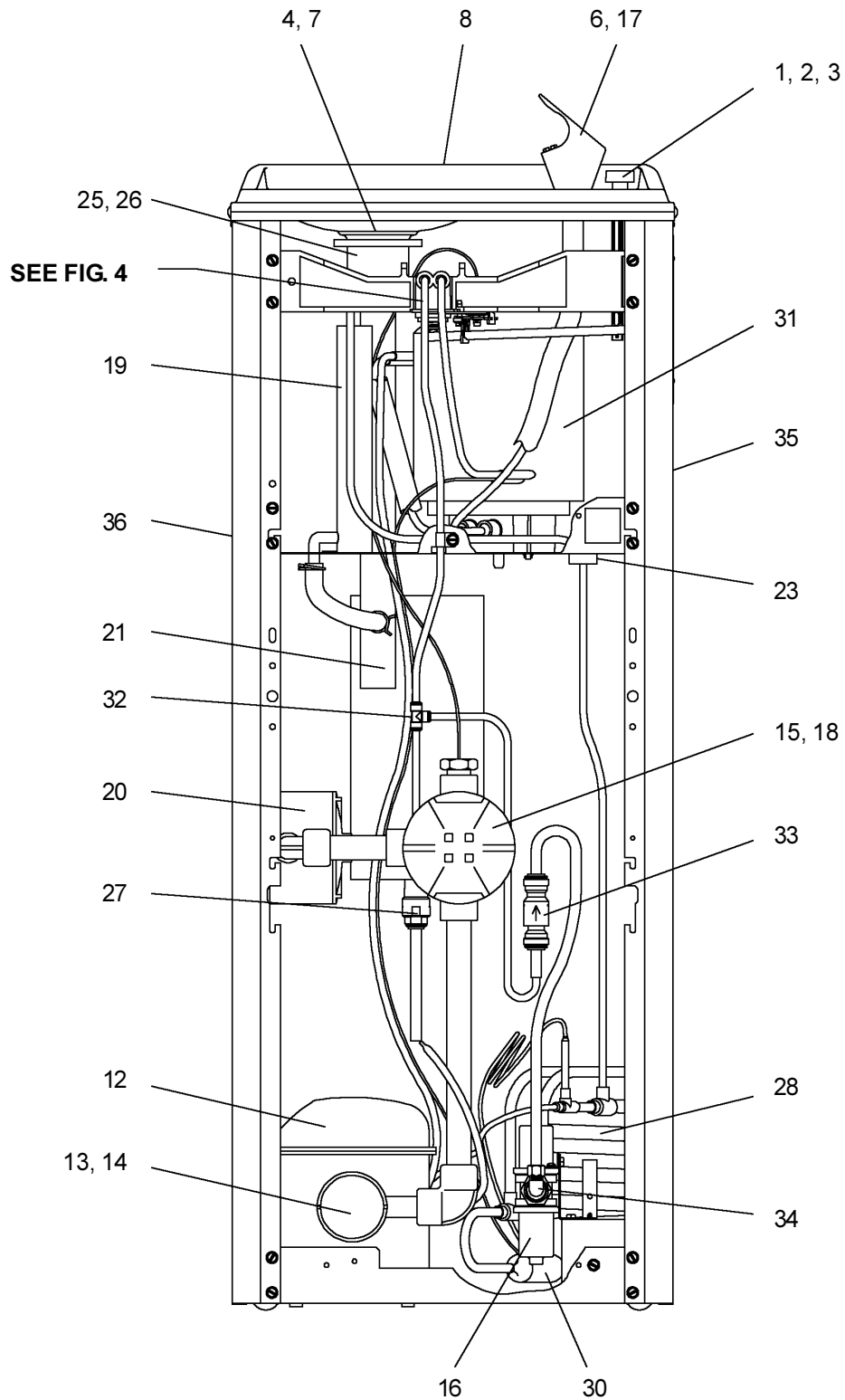


FIG. 1

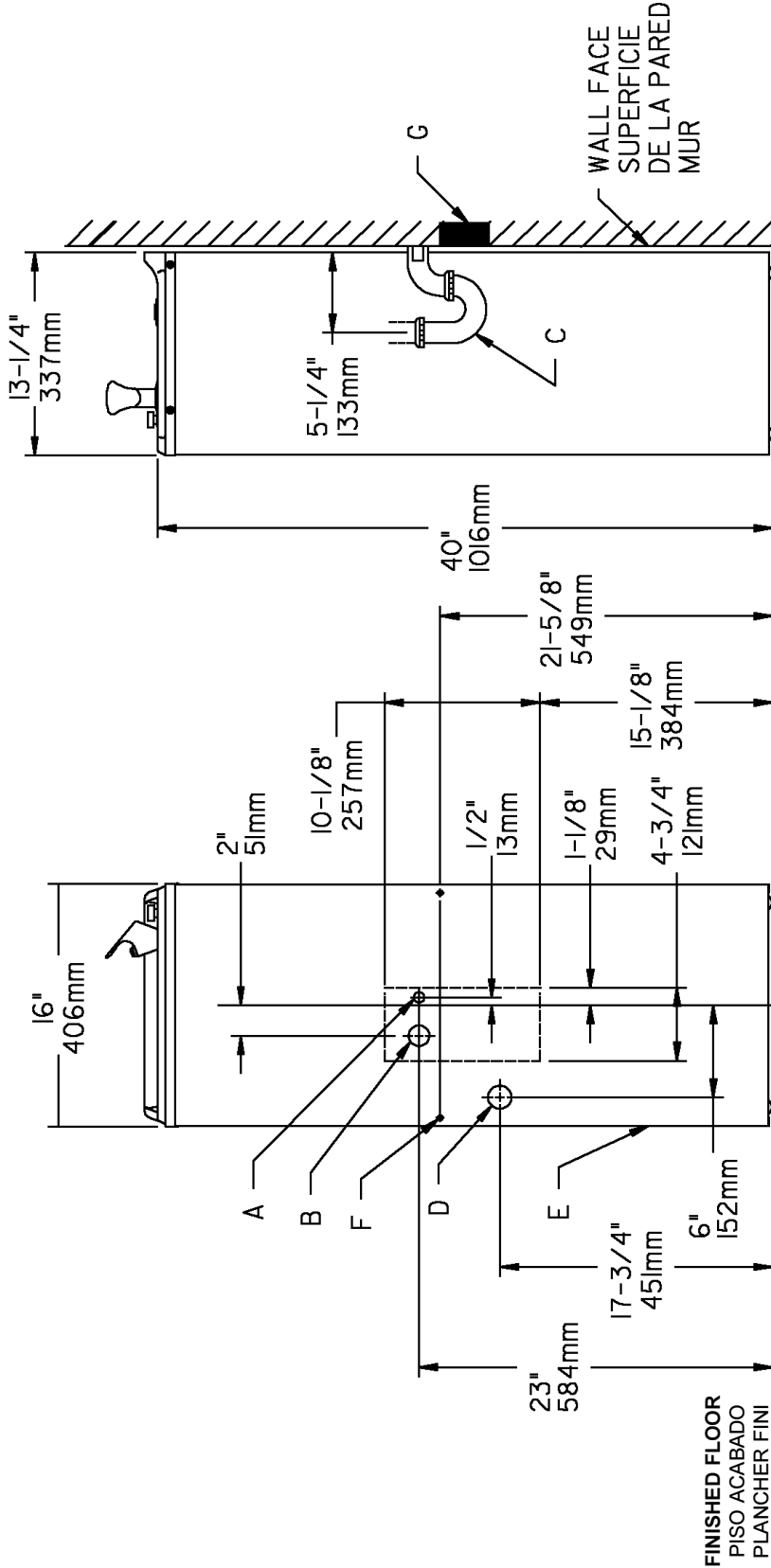


FIG. 2

LEGEND/LEYENDA/LÉGENDE

A = RECOMMENDED WATER SUPPLY LOCATION 3/8 O.D. UNPLATED COPPER TUBE CONNECT STUB 1-1/2 IN. (38mm) OUT FROM WALL SHUT OFF BY OTHERS
 SE RECOMIENDA UBICAR EL TUBO CORTO DE CONEXIÓN AL TUBO DE COBRE SIN CHAPAR DE 3/8" DE DIÁM. EXT. A 1-1/2" (38mm) FUERA DE LA LAVÉ DE PASO EN LA PARED COLOCADA POR TERCEROS.
 EMPACEMENT RECOMMANDÉ D'ALIMENTATION EN EAU PAR TUBE EN CUIVRE NON PLAQUÉ DE 3/8 PO. (9.5 mm) D.E. CONTACTANT UNE TUYAUTERIE DE 1-1/2 PO. (38mm) DEPUIS LE ROBINET D'ARRÊT FOURNI PAR D'AUTRES.

B = RECOMMENDED LOCATION FOR WASTE OUTLET 1-1/4" O.D. DRAIN
 UBICACION RECOMENDADA PARA EL DRENAJE DE SALIDA DE AGUA, DE 1 1/4" DE DIÁMETRO.
 EMPACEMENT RECOMMANDÉ POUR LE DRAIN DE D.E. 1-1/4" DE SORTIE D'EAU.
 PURGADOR DE 1 1/4 NO PROPORCIONADO**
 SIPHON 1-1/4 NON FOURNI**

D = ELECTRICAL OUTLET LOCATION
 UBICACION DE LA TOMA DE ELECTRICIDAD
 EMPACEMENT DE LA PRISE DE COURANT

E = INSURE PROPER VENTILATION BY MAINTAINING 4" (102mm) (MIN.) CLEARANCE FROM CABINET LOUVERS TO WALL.
 ASEGURE UNA VENTILACION ADECUADA MANTENIENDO UN ESPACIO E 4" (102mm) (MIN.) DE HOLLGURA ENTRE LA REJILLA DE VENTILACION DEL MUEBLE Y LA PARED
 ASSUREZ-VOUS UNE BONNE VENTILATION EN GARDANT 4" (102mm) (MIN.) ENTRE LES ÉVÉNENTS DE L'ENCEINTE ET LE MUR

F=WALL SCREW HOLES
 AGUJEROS DE TORNILLOS DE PARED
 TROUS DE VIS DU MUR
G = 2 X 4 BLOCKING
 BLOQUEO DE 2 X 4
 BLOC 2 X 4

CONDENSER WATER VALVE ADJUSTMENT

The condenser water valve is factory preset for a condenser water outlet temperature of 95° to 105° F. If actual temperature varies greatly from this, readjust water flow rate at the valve using the following procedures.

1. START UP COMPRESSOR

This can be accomplished by depressing the cooler push button (See Fig. 1 - Item 3). Keep water running during the entire re-adjustment procedure.

2. ADJUSTMENT CONDENSER WATER VALVE

Adjust valve by rotating adjustment stem. Rotating stem clockwise will decrease water flow. Counterclockwise rotation will increase water flow. Increasing water flow will result in a lower condenser outlet temperature, while decreasing water flow will result in a higher outlet temperature. Proper adjustment is attained when condenser outlet temperature is 95° to 105° F.

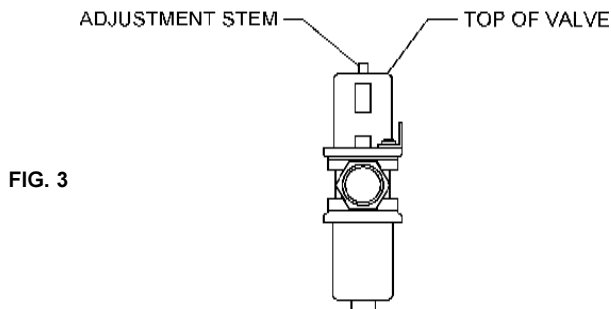


FIG. 3

PUSH BUTTON VALVE ADJUSTMENT

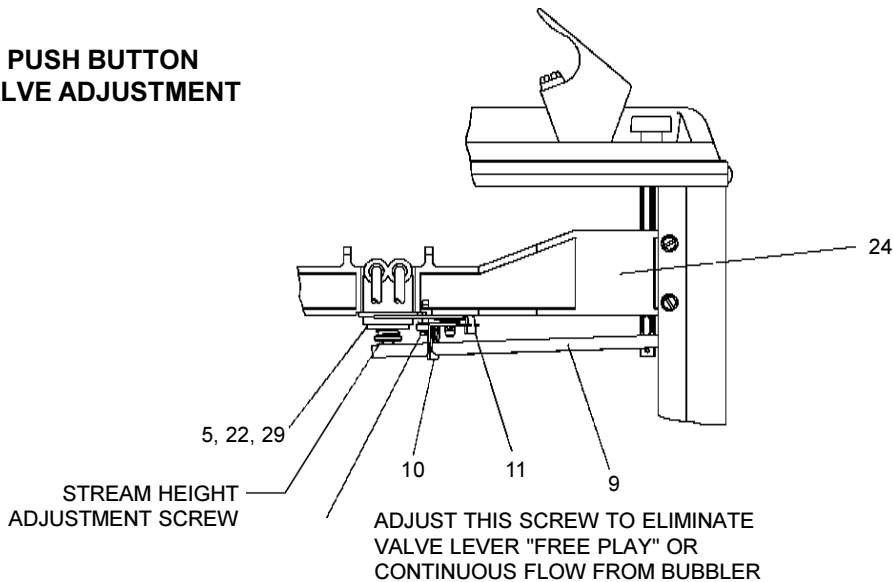
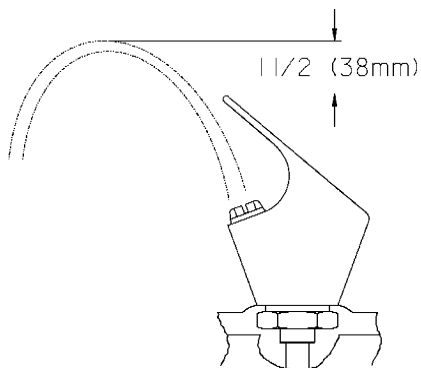


FIG. 4



CORRECT STREAM HEIGHT

PARTS LIST 115V		
ITEM	PART NO.	DESCRIPTION
1	101452331870	Stem Bushing
2	101507531550	Push Button Stem
3	101453431640	Cap Push Button
4	102639931640	Drain Plug
5	15005C	Nut-Regulator Retaining
6	15008C	Bubbler Nipple
7	160270508640	Strainer Plate
8	171403742590	Basin
9	26860C	Regulator Lever
10	26861C	Pivot Bracket
11	26862C	Regulator Retaining Bracket
12*	35790C	Compressor
13	35797C	Overload
14	35803C	Relay
15	35892C	Cold Control
16	40136C	Valve - Wtr Temp
17	45314C	Bubbler
18	45340C	Electrical Box-Cold Control
19	45346C	Vacuum Break
20	45347C	Electrical Box-Power Connection
21	45689C	Tailpipe Assy
22	50986C	Regulator Holder
23	51454C	Snap Bushing
24	55880C	Regulator Mounting Bracket
25	55885C	Nut 1-1/4 Slip Joint
26	55913C	Adaptor-Drain W/O Holes
27	55996C	Strainer
28	601418151550	Condenser Assy
29	61314C	Regulator
30	66202C	Drier
31	66505C	Evaporator
32	70682C	Tee - 1/4 x 1/4 x 1/4
33	75494C	Check Valve
34	75561C	Elbow - 3/8
35	401536242830	Right Panel
36	401536342830	Left Panel
NS	401507442830	Front Panel

*REPLACE WITH SAME COMPRESSOR USED IN ORIGINAL ASSEMBLY.
 NOTE: All correspondence pertaining to ELKAY water coolers or orders for repair parts MUST include Model No. and Serial No. of cooler, name and part number of replacement part.