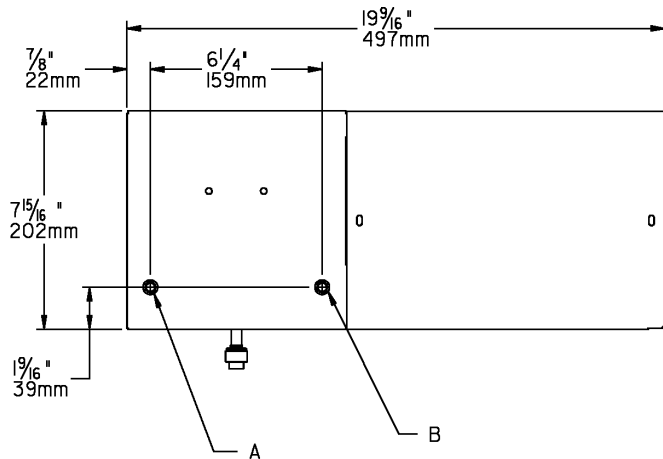


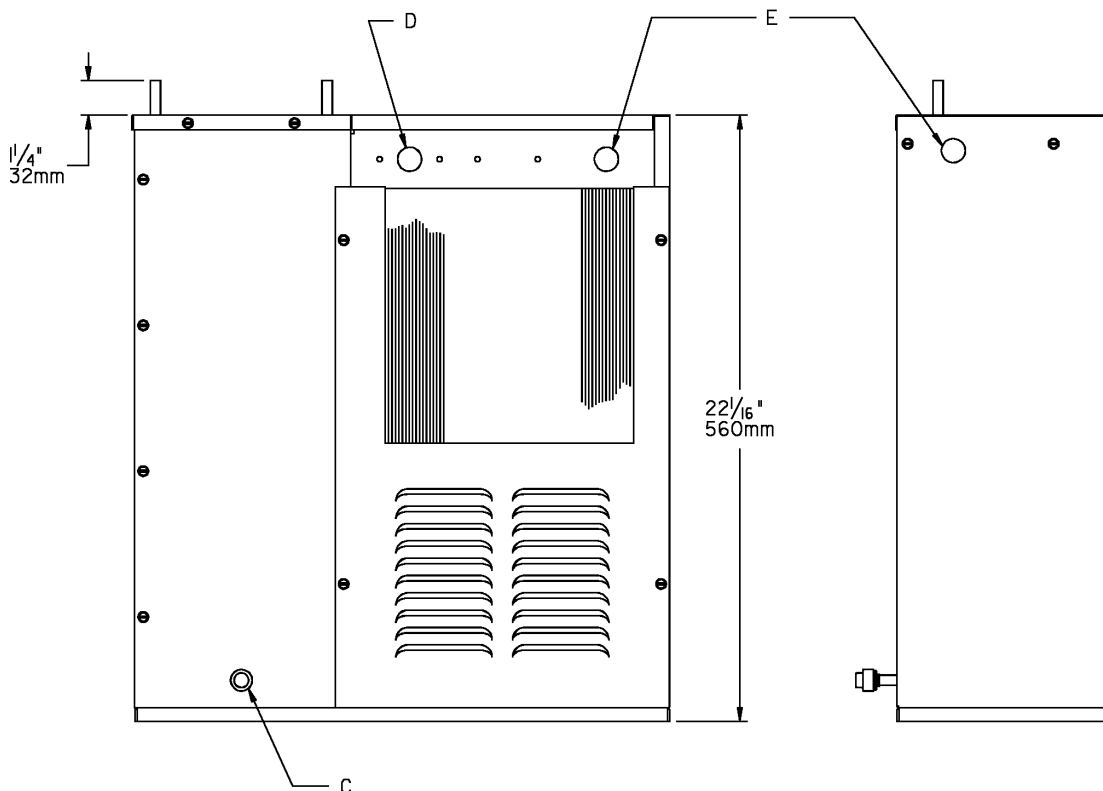
Installation Instructions

Refrigeration Packages



NOTE: It is important to insure proper ventilation. Allow a minimum clearance of 6 inches (152 mm) in front and 3 inches (76mm) in the rear of the unit. If unit is to be installed in an enclosure, allow the following clearances around unit 1 inch (25mm) each side, 3 inches (76mm) in the rear, 3 inches (76mm) inches above wall.

This chiller has been designed for use with potable water and includes an o-ring seal on the drain plug. This fitting should be replaced if the unit is to be used with more aggressive fluids.



LEGEND:

- A = 3/8" O.D. TUBE WATER OUT
- B = 3/8" O.D. TUBE WATER INLET
- C = 3/8" O.D. TUBE TANK DRAIN
- D = TEMPERATURE ADJUSTMENT
- E = ELECTRICAL

HRC2-5-1B, HRC2-10-1B

ITEMIZED PARTS LIST			
ITEM NO.	5 GPH PART NO.	10 GPH PART NO.	DESCRIPTION
1	27666C	27666C	Cover - Terminal Box
2	31513C	31513C	Control - Cold
3	31490C	31490C	Motor - Fan
4	30664C	30664C	Fan - Blade
5	20282C	20282C	Fan - Bracket
6	70018C	70018C	Fan - Nut
7	70009C	70009C	Screw - Motor Mounting
8	66304C	66305C	Condenser
9	50189C	50189C	Shroud
10	66201C	66203C	Drier
11*	35787C	35774C	Compr. Serv Pak Embraco
	-	35818C	Compr. Serv Pak Tecumseh
12	31034C	31029C	Overload/Relay (Embraco)
	-	35806C	Relay (Tecumseh)
	-	35795C	Overload (Tecumseh)
13	31797C	31797C	Cover - Relay (Embraco)
	-	30180C	Overload Spring (Tecumseh)
	-	30181C	Cover - Term (Tecumseh)
	-	30182C	Compr. Bale Strap (Tecumseh)
14	19037000	19037000	Clip
15	100806740570	100806740570	Grommet
16	66312C	66311C	Evaporator - Assy
17	27665C	27665C	Cover - Insulation Box
18	70772C	70772C	Drain Plug
19	27670C	27670C	Base Assy
20	27663C	27663C	Panel - Insul Box (Rear)
21	27662C	27662C	Panel - End
22	27664C	27664C	Box - Insulation (Front)
23	27667C	27667C	Terminal Box Assy
24	35882C	35882C	Control-Freeze Protect
25	27669C	27669C	Grille - Front
NS	27668C	27668C	Grille - Rear (Not Shown)

***INCLUDES RELAY & OVERLOAD. IF UNDER WARRANTY, REPLACE WITH SAME COMPRESSOR USED IN ORIGINAL ASSEMBLY.**

NOTE: All correspondence pertaining to any of the above water cooler or orders for repair MUST include model number and serial number of cooler, name and part number of replacement part.

NOTE: For use with photo processing applications, adjust thermostat to warmer settings.

