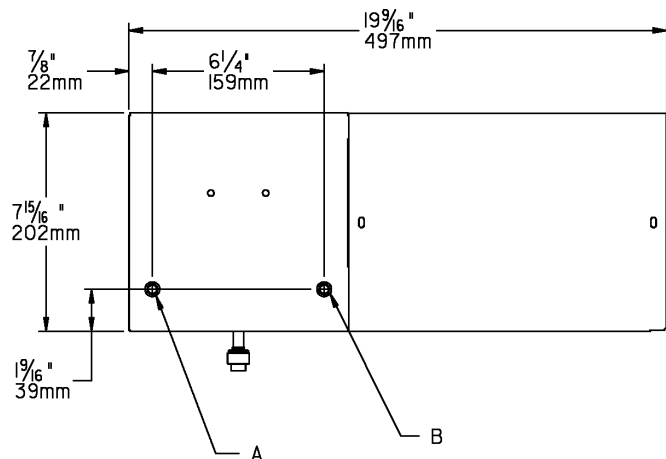


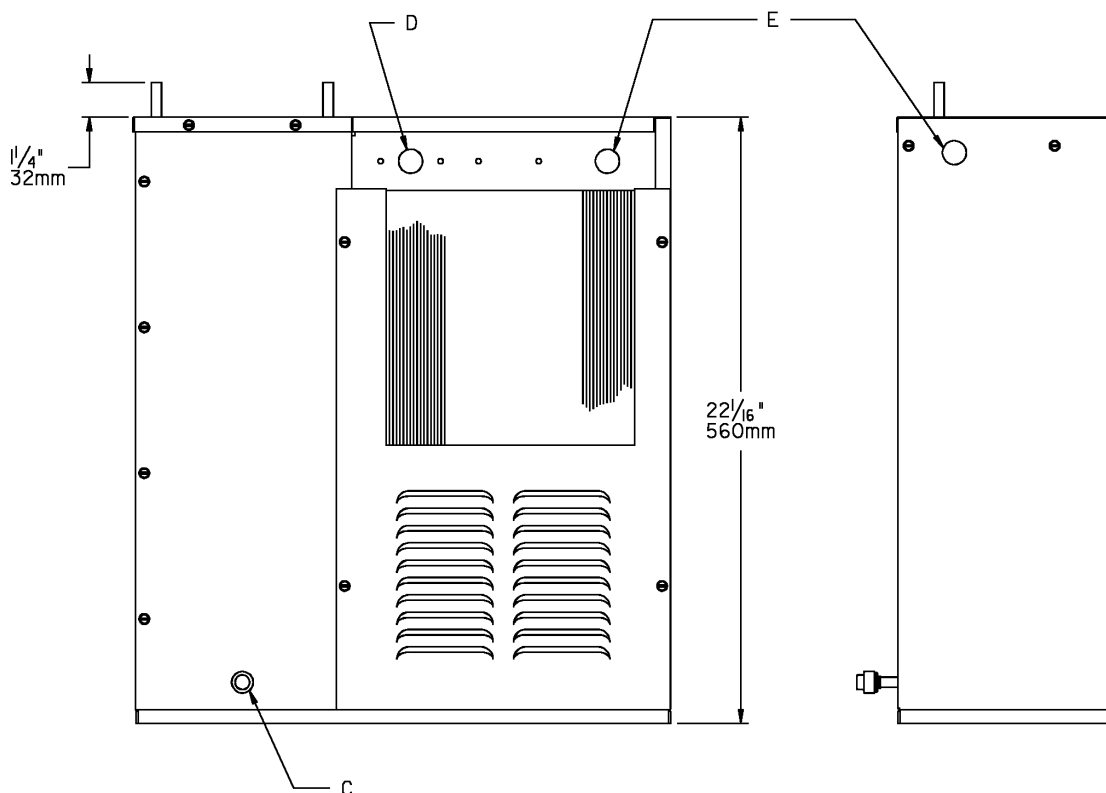
Installation Instructions

Refrigeration Packages



NOTE: It is important to insure proper ventilation. Allow a minimum clearance of 6 inches (152 mm) in front and 3 inches (76mm) in the rear of the unit. If unit is to be installed in an enclosure, allow the following clearances around unit 1 inch (25mm) each side, 3 inches (76mm) in the rear, 3 inches (76mm) inches above wall.

This chiller has been designed for use with potable water and includes an o-ring seal on the drain plug. This fitting should be replaced if the unit is to be used with more aggressive fluids.



LEGEND:

- A = 3/8" O.D. TUBE WATER OUT
- B = 3/8" O.D. TUBE WATER INLET
- C = 3/8" O.D. TUBE TANK DRAIN
- D = TEMPERATURE ADJUSTMENT
- E = ELECTRICAL

ITEMIZED PARTS LIST		
ITEM NO.	10 GPH PART NO.	DESCRIPTION
1	27666C	Cover - Terminal Box
2	31513C	Control - Cold
3	31430C	Motor - Fan
4	30664C	Fan - Blade
5	20282C	Fan - Bracket
6	70018C	Fan - Nut
7	70009C	Screw - Motor Mounting
8	66305C	Condenser
9	50189C	Shroud
10	66203C	Drier
11*	36021C	Compr. Serv Pak
12	30262C	Relay
13	36019C	Overload
14	30233C	Overload Spring
15	30235C	Cover - Terminal
16	30234C	Compr. Bale Strap
17	19037000	Clip
18	100806740570	Grommet
19	66619C	Evaporator - Assy
20	27665C	Cover - Insulation Box
21	70772C	Drain Plug
22	27670C	Base Assy
23	27663C	Panel - Insul Box (Rear)
24	27662C	Panel - End
25	27664C	Box - Insulation (Front)
26	27667C	Terminal Box Assy
27	35882C	Control-Freeze Protect
28	27669C	Grille - Front
NS	27668C	Grille - Rear (Not Shown)

***INCLUDES RELAY & OVERLOAD. IF UNDER WARRANTY, REPLACE WITH SAME COMPRESSOR USED IN ORIGINAL ASSEMBLY.**

NOTE: All correspondence pertaining to any of the above water cooler or orders for repair MUST include model number and serial number of cooler, name and part number of replacement part.

NOTE: For use with photo processing applications, adjust thermostat to warmer settings.

