

# Installation Instructions

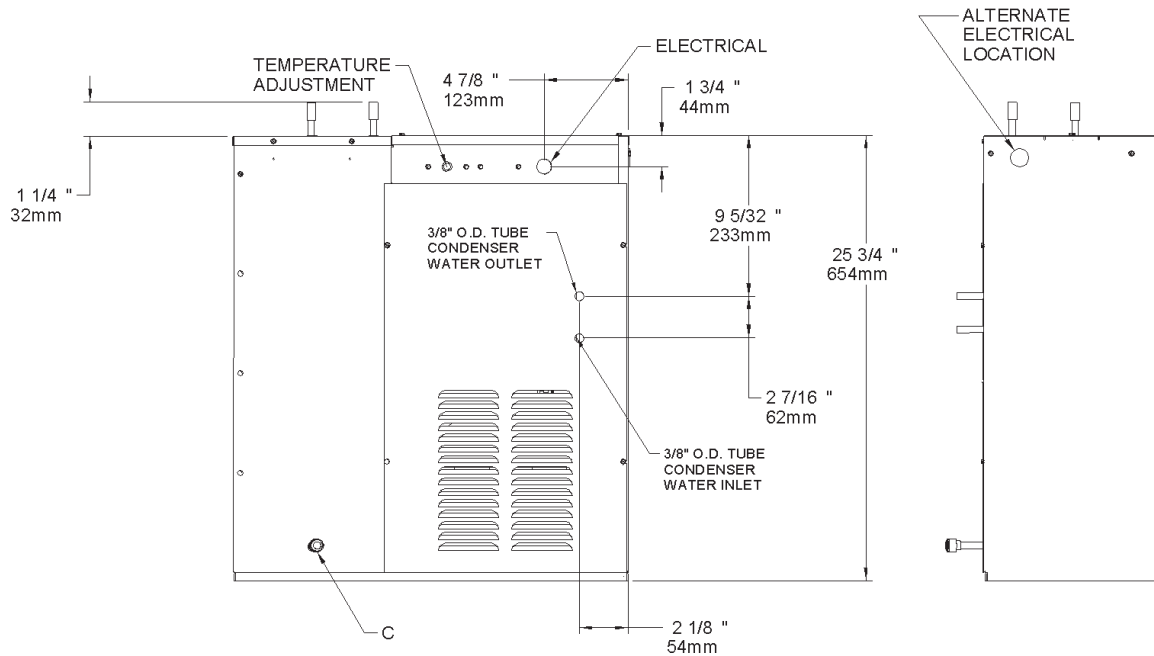
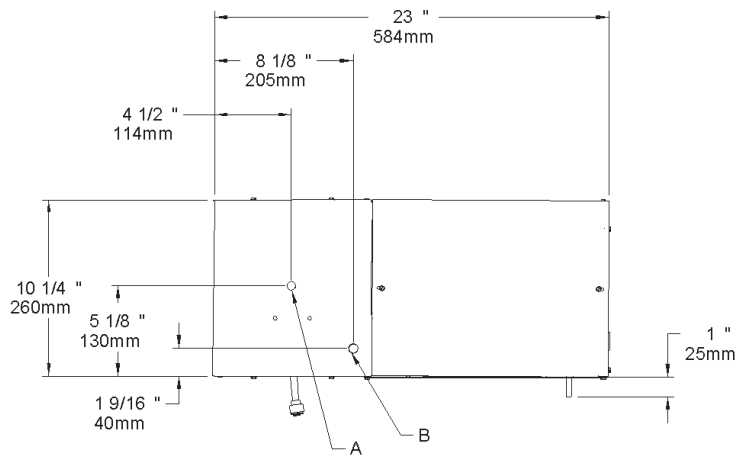
## ERW20 Refrigeration Packages

**NOTICE:** This water cooler must be connected to the water supply using a dielectric coupling.

**NOTE:** It is important to insure proper ventilation. Allow a minimum clearance of 12 inches (305 mm) in front and 3 inches (76mm) in the rear of the unit. If unit is to be installed in an enclosure, allow the following clearances around unit - 1 inch (25mm) each side, 3 inches (76mm) in the rear, 3 inches (76mm) above wall.

This chiller has been designed for use with potable water and includes an o-ring seal on the drain plug. The fitting should be replaced if the unit is to be used with more aggressive fluids.

For use with photo processing applications, adjust cold control to warmer settings.



### LEGEND

A = 3/8" O.D. TUBE WATER OUT

B = 3/8" O.D. TUBE WATER INLET

C = 3/8" O.D. TUBE TANK DRAIN

**INSTALLATION**

1. Potable water inlet and outlet are 3/8" (9 mm) O.D. tube located on top of unit. Water cooled condenser inlet and outlet are 3/8" (9 mm) O.D. tube located on right front of unit. Installer to provide air gap at condenser water outlet to comply with local plumbing specifications. Contractor to supply connections as required.
2. Connecting lines to be of copper, thoroughly flushed to remove all foreign matter before being connected to cooler. If flushing does not remove all particles, a water strainer should be installed in supply line.
3. Connect cooler to building supply line with a shut-off valve and install a union connection between the valve and cooler.
4. Electrical: Make sure power supply is identical in voltage, cycle, and phase to that specified on cooler serial plate. Never wire compressor directly to the power supply

**START-UP**

1. Open supply line valve.
2. Purge air from all water lines by operating bubbler valve of fountain.
3. Connect to electrical power.

**TROUBLE SHOOTING & MAINTENANCE**

**Temperature Control:** Factory set for 50° F water under normal conditions. To adjust water temperature, turn screw on Item No. 14 clockwise for colder, counter clockwise for warmer.

**Ventilation:** Cabinet louvers should be periodically cleaned with brush, air hose or vacuum cleaner. Excess dirt or poor ventilation can cause no cold water and compressor cycling on the compressor overload protector

**Lubrication:** Motors are lifetime lubricated.

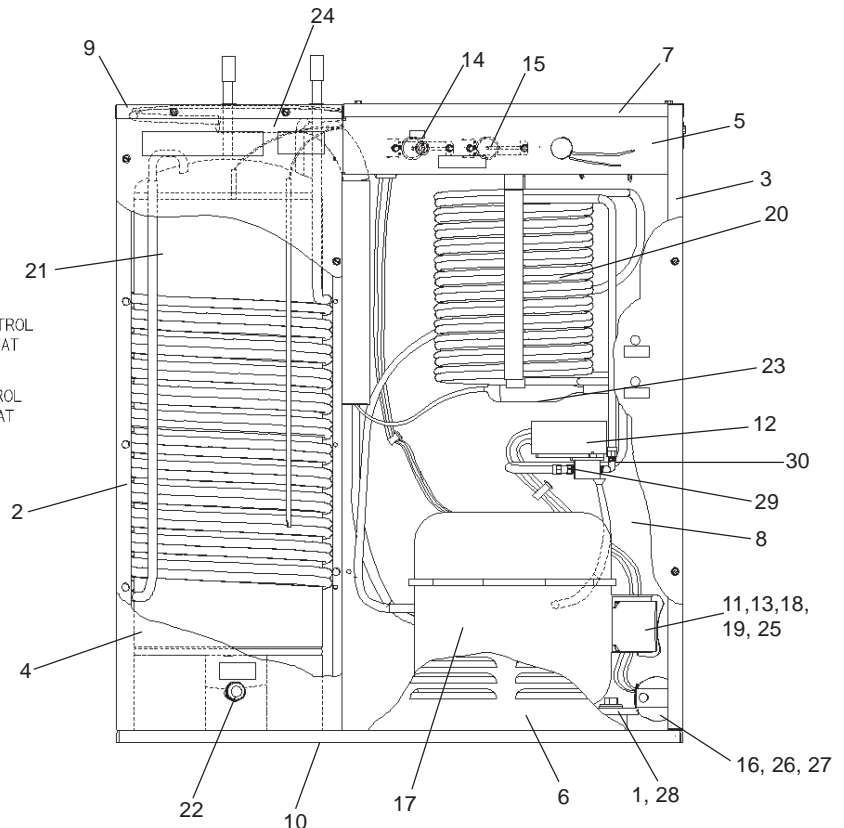
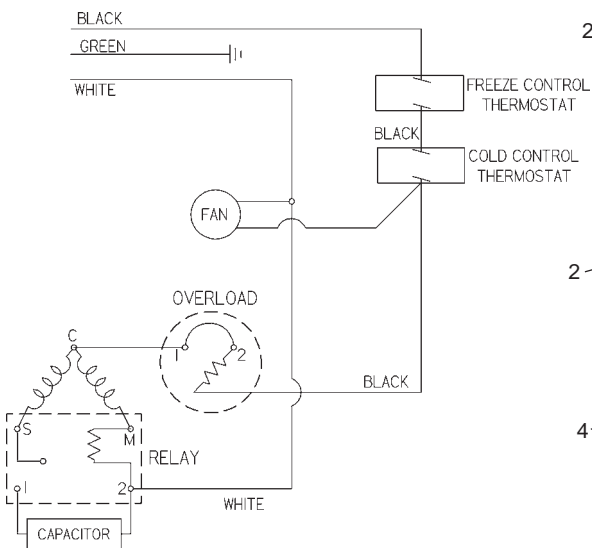
ITEMIZED PARTS LIST		
ITEM NO.	PART NO.	DESCRIPTION
1	50196C	Grommet
2	28180C	Panel Insulation Box (Rear)
3	23101C	Panel End
4	23104C	Box Insulation (Front)
5	28178C	Terminal Box
6	28179C	Grille
7	23089C	Cover Terminal Box
8	28175C	Rear Panel
9	27957C	Cover Insulation Box
10	28176C	Base Ass'y
11	30235C	Terminal Cover
12	30768C	Solenoid Valve
13	30812C	Overload
14	35882C	Cold Control
15	35895C	Cold Control Freeze Protect
16	35921C	Capacitor
17*	36074C	Compressor Service Pak
18	30233C	Overload Spring
19	30234C	Clip Compressor
20	66632C	Condenser
21	66625C	Evaporator
22	70772C	Drain Plug
23	66204C	Drier
24	66629C	Heat Exchanger
25	36079C	Relay
26	35845C	Cap-Capacitor End
27	35846C	Bracket-Capacitor
28	70274C	Compressor Mounting Sleeve
29	70482C	Male Connector Fitting
30	70483C	Elbow Fitting

ERW20-2D 220V-50 HZ

ITEM NO.	PART NO.	DESCRIPTION
12	30779C	Solenoid Valve Assy.
13	30813C	Overload
16	35942C	Capacitor
17*	36075C	Compressor Serv Pak
25	35867C	Relay

\*INCLUDES RELAY & OVERLOAD. IF UNDER WARRANTY, REPLACE WITH SAME COMPRESSOR USED IN ORIGINAL ASSEMBLY.  
NOTE: All correspondence pertaining to any of the above water cooler or orders for repair parts MUST include model number and serial number of cooler, name and part number of replacement part.

**WIRING DIAGRAM**



ELKAY MANUFACTURING COMPANY • 2222 CAMDEN COURT • OAK BROOK, IL 60523 • 630.574.8484  
REPAIR SERVICE INFORMATION TOLL FREE NUMBER 1.800.260.6640  
FOR PARTS, CONTACT YOUR LOCAL DISTRIBUTOR OR CALL 1.800.323.0620