

Installation Instructions

Refrigeration Packages

INSTALLATION

- 1. Insure proper ventilation.** In fully recessed drinking fountains be sure condenser faces louver panel and is within 1/2" (13 mm) of louver panel when panel is in place.
- 2. Water inlet is 3/8" (10 mm) O.D. tube connector.** Contractor to supply connections as required.
- 3. Connecting lines to be made of copper.** Thoroughly flush all lines to remove all foreign matter before connecting to cooler.
- 4. Connect cooler to building supply** with a shut-off valve and install a 3/8" (10 mm) water line between the valve and cooler. Remove burrs from outside of water line. Insert water line into bulkhead union until it reaches a positive stop, approximately 3/4" (19 mm).
- 5. Electrical: Make sure power supply is identical** in voltage, cycle, and phase to that specified on cooler serial plate. Never wire the compressor directly to the power supply.

IMPORTANT! INSTALLER PLEASE NOTE:

The grounding of electrical equipment such as telephone, computers, etc., to water lines is a common procedure. This grounding may be in the building, or may occur away from the building. This grounding can cause electrical feedback into a water chiller, creating an electrolysis which causes a metallic taste or an increase in the metal content of the water. This condition is avoidable by using the proper materials indicated below. Drain fittings which are provided by the installer should be plastic to electrically isolate the chiller from the building plumbing system.

START-UP

- 1. Open supply line valve.**
- 2. Purge all air from all water lines** by operating bubbler valve of fountain to which cooler is connected. A steady stream flow assures that all air is removed.
- 3. Rotate fan blade** to assure proper clearance and free action.
- 4. Connect to proper electrical power.**

TROUBLE SHOOTING & MAINTENANCE

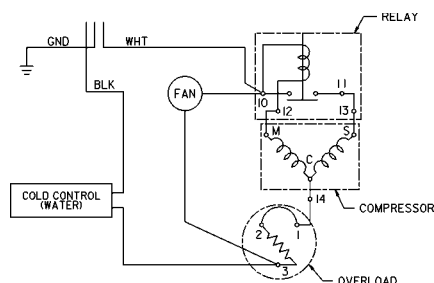
Temperature Control: Factory-set for 50°F water ($\pm 5^\circ$) under normal conditions. For colder water, adjust screw on item no. 5.

Ventilation: Cabinet louvers and condenser fins should be periodically cleaned with a brush, air hose, or vacuum cleaner. Excess dirt or poor ventilation can cause no cold water and compressor cycling on the overload protector.

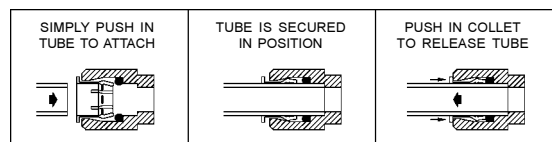
Lubrication: Motors are lifetime lubricated.

Actuation of Quick Connect Water Fittings: Cooler is provided with lead-free connectors which utilize an o-ring seal. To remove tubing from the fittings, relieve water pressure, push in on gray collar while pulling on the tubing. To insert tubing, push tube straight into fitting until it reaches a positive stop, approximately 3/4".

WIRING DIAGRAM



OPERATION OF QUICK CONNECT FITTINGS



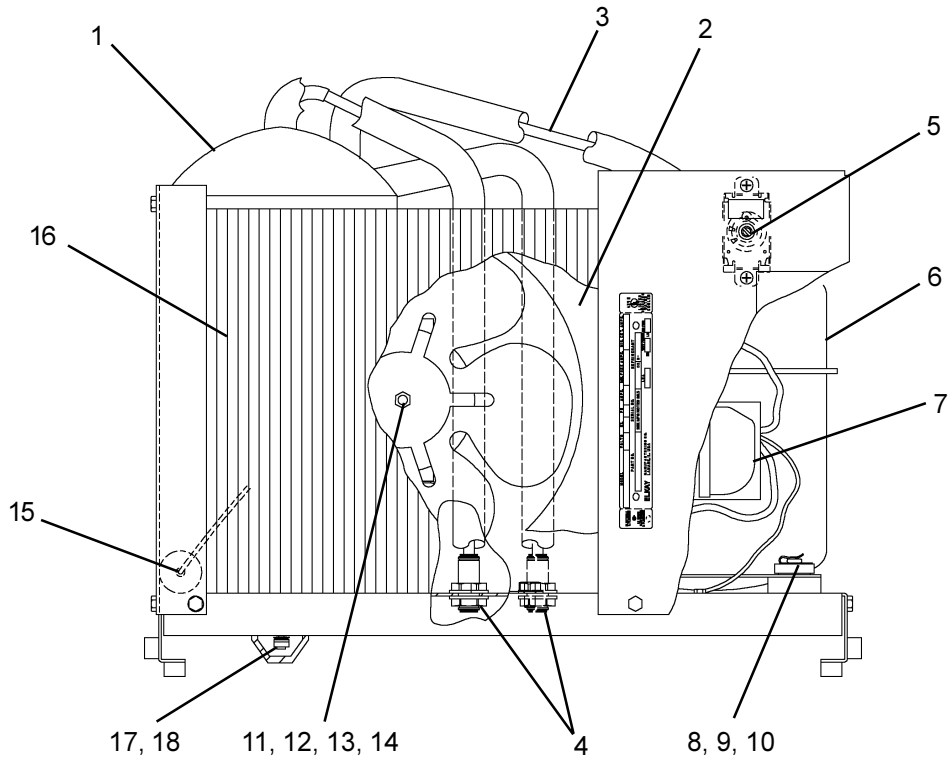
PUSHING TUBE IN BEFORE PULLING IT OUT HELPS TO RELEASE TUBE

ECU8-1, ECU8-2, ECU8-3

PARTS LIST		
ITEM NO.	PARTNO.	DESCRIPTION
1	66421C	EVAPORATOR
2	50189C	SHROUD
3	66263C	HEAT EXCHANGER
4	70841C	UNION - BULKHEAD
5	31513C	COLD CONTROL
6*	35767C	COMPRESSOR SERV. PAK
7	31025C	OVERLOAD/RELAY ASSY
8	19037000	CLIP - COMPRESSOR MTG
9	101516143550	STUD - COMPRESSOR MTG
10	100806740570	GROMMET - COMPRESSOR MTG
11	20282C	BRACKET - FAN MTG
12	31490C	FAN MOTOR
13	70018C	NUT
14	30664C	FAN BLADE
15	66202C	DRIER
16	66305C	CONDENSER
17	70767C	EVAPORATOR RETAINING CLIP
18	70772C	EVAPORATOR DRAIN PLUG
NS	31504C	POWER CORD

220/240 50/60HZ PARTS LIST		
ITEM NO.	PARTNO.	DESCRIPTION
6*	35763C	COMPRESSOR SERV. PAK
7	31024C	OVERLOAD/RELAY ASSY
15	31430C	FAN MOTOR

*INCLUDES RELAY & OVERLOAD. IF UNDER WARRANTY REPLACE WITH SAME COMPRESSOR USED IN ORIGINAL ASSEMBLY.
NOTE: ALL CORRESPONDENCE PERTAINING TO ANY OF THE ABOVE WATER COOLERS OR ORDERS FOR REPAIR PARTS **MUST** INCLUDE MODEL NO. AND SERIAL NO. OF COOLER, NAME AND PART NO. OF REPLACEMENT PART.



FOR PARTS, CONTACT YOUR LOCAL DISTRIBUTOR OR CALL 1.800.323.0620
 ELKAY MANUFACTURING COMPANY•2222 CAMDEN COURT•OAK BROOK, IL 60523•630.574.8484