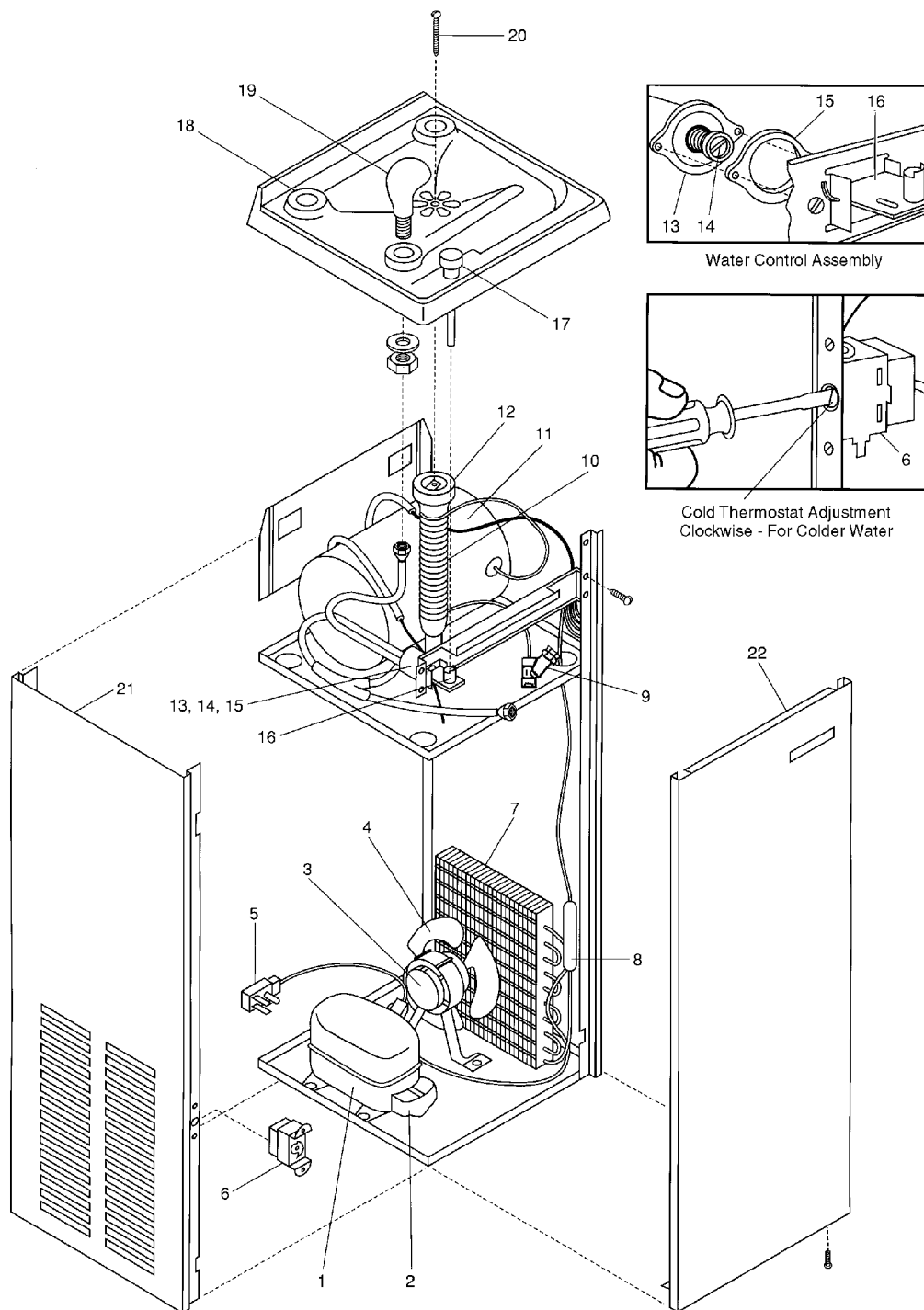


FLOOR STANDING WATER COOLER

NSF-16



Sunroc

60 Starlifter Avenue

Dover, DE 19901

(302) 678-7800 • Fax (302) 678-7813

Service (800) 220-1136

www.sunroc.com

Parts List for Water Cooler Model: NSF-16

ITEM	PART NUMBER	DESCRIPTION
1	AA00008-SP	Compressor AE34304
	AA00029-SP	Compressor AE34304 (uses Spade Connections)
2	AA00008-T1	Overload MRT24ALN-34
	AA00008-T2	Relay 9660-040-176
	C026411-08	Relay 9660-042-176 (uses Spade Connections)
	C026403-12	Overload MRT24ALN-69 (uses Spade Connections)
3	B153475	Fan Motor (eyelet)
	D036186-02	Fan Motor (uses Spade Connections)
4	C025756	Fan Blade
5	C026081	Wiring Harness (eyelet)
	C026392-01	Wiring Harness (uses Spade Connections)
	C026382-04	16" Wire Assembly (uses Spade Connections)
6	A016241	Cold Thermostat (eyelet)
	C026376-03	Cold Thermostat (uses Spade Connections)
7	C026101	Condenser
8	AA00004	Drier
9	A020938-01	"Y" Strainer
10	B154148-SP	Precooler
11	C026072-SP	Evaporator
12	A015671	Drain Washer
13	10947-003-SP	Water Control Assembly
14	B153468-01	Cartridge
15	A015240	Fiber Washer
16	A015950-02	Toggle Lever
17	A017272-01	Push Button
18	A016519	Hole Cover
19	C026293-SP	Cobra Spout (metal)
	11432	Safety-Gard™ Spout Assy (Optional)
20	A016762	Drain Screw
21	D035800-19	Side Panel - Pewter
	D035800-31	Side Panel - Stainless Steel
22	D035804-19	Front Panel - Pewter
	D035804-31	Front Panel - Stainless Steel

NOTE: Contact service department for information on compressors not shown on this page. This sheet cancels all previous lists for this model.