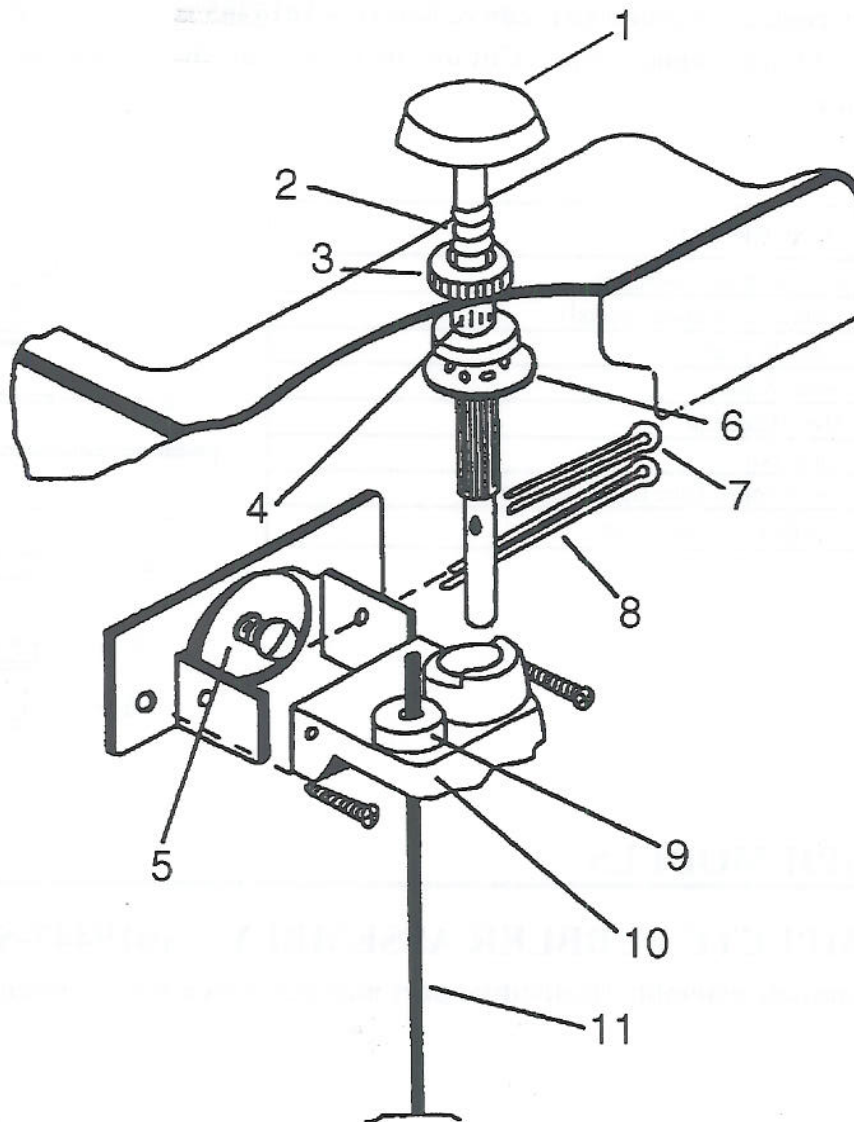


PUSH BUTTON ASSEMBLY



ITEM	PART NUMBER	DESCRIPTION
1	A017272-01	*Push Button
2	A021172	*Rubber Grommet
3	A016837	*Spacer Spring
4	A015955-01	*Nylon Bushing
5	B153468-01	Flow Cartridge
6	A016186	*Bushing Fastener
7	A016367	Cotter Pin
8	A016366	*Cotter Pin
9	A016362	Adjustment Collar
10	A015950-02	*Toggle Lever
11	A016368	Linkage Rod
	A018847-SP	Dual Repair Kit (Includes all items marked with *)