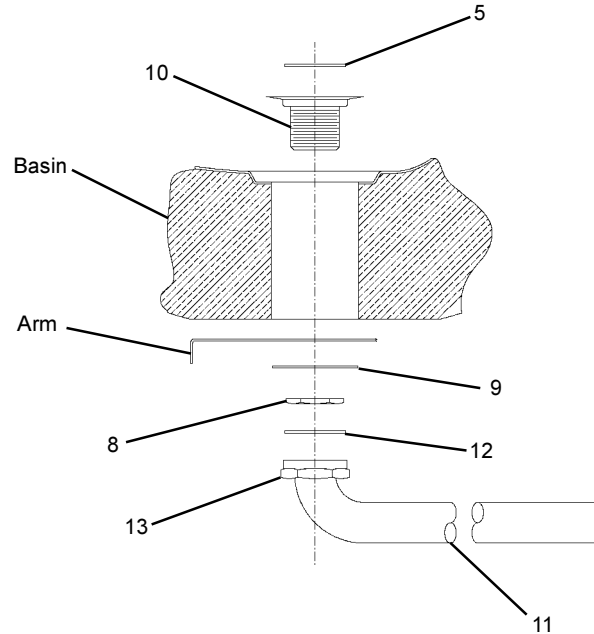


Marblyte Units SUPPLEMENTAL SHEET

Use with 97090C, 97091C, and 97638C--Owners Manual

PARTS LIST		
ITEM NO.	PARTNO.	DESCRIPTION
1	26990C	Bottom Cover (OVL-S)
	26988C	Bottom Cover (OVL-E)
2	55836C	Push Arm Actuator
3	51544C	Bubbler
4	100322740560	Bubbler Gasket
5	160270508640	Strainer Plate
6	Not Req'd	Drain Gasket
7	Not Req'd	Packing Ring
8	110346220550	Drain Nut
9	101637451550	Friction Ring
10	161637308640	Drain Plug
11	45683C	Waste Elbow (OVL-E)
	45682C	Waste Elbow (OVL-S)
12	100023340560	Waste Tube Gasket
13	161570808550	Slip Nut
14	61314C	Regulator
15	50986C	Regulator Holder
16	55952C	Basin Blk Mrbl
17	Not Req'd	Basin Liner
18	70861C	Screw # 10-24 x 2
19	55840C	Top Plate - Actuator
20	55839C	Bottom Plate - Actuator
21	27002C	Arm w/Weldnuts (OVL-E)
	27004C	Arm w/Weldnuts (OVL-S)
22	28328C	Regulator Mounting Bracket
23	15005C	Nut - Retaining
24	40045C	Nut Hex - UNPLTD
25	27008C	Reaction Bracket
26	70856C	Screw #10-24 x .38 PHMS
27	70854C	Rod - Pivot
28	50198C	Bushing Snap
29	51468C	Bumper - Reg. Valve Assy
30	28327C	Arm - Reg. Activating
31	28326C	Arm - Reg. Adjustment
32	22797C	Back Panel (OVL-EBP)
	22799C	Back Panel (OVL-SBP)
	26958C	Back Panel (OVL-SEBP)
	22795C	Back Panel (OVL-ESBP)
33	26833C	Bottom Panel (OVL-ER/SR Models Only)
	27026C	Bottom Panel (OVL-SER/ESR Models Only)
33	27084C	Fountain Mounting Bracket (BP Models Only)
34	55996C	Strainer
35	70870C	Union - 3/8"
36	70745C	Union - 3/8" x 1/4"
37	70852C	Tee - 1/4"
NS	27089C	Back Panel Hanger Bracket (OVL-EBP/SBP)
NS	27090C	Back Panel Hanger Bracket (OVL-SEBP/ESBP)
NS	70793C	Elbow - 1/4" x 90 Deg.



**Drain Detail
For Marblyte Fountains**

Care and Maintenance of Halsey Taylor Marblyte Fountains

Marblyte provides an extremely durable, nonporous surface which resists staining. Care is very simple. Routine cleaning with a soft sponge or cloth, or with water or non-abrasive aerosol foam cleaner, is all that is normally needed to give many years of trouble free service. Cleaners left standing on the fountain surface can dull the surface finish. Be certain to rinse all cleaning agents completely and polish with a soft cloth.

Harsh abrasive cleaners are not required and should not be used.

Mild abrasives such as liquid automotive cleaning compound or baking soda paste will remove simple scratches and stains. Cigarette burns can normally be removed without noticeable effect. Deeper scratches or gouges can be corrected with fine grit sandpaper (240 grit then 400 grit) or a green Scotchbrite pad.

To maintain or regain luster and make cleaning easier, periodic applications of automobile wax or like products will keep the finish looking like new.

Halsey Taylor[®]

2222 CAMDEN COURT
OAKBROOK, IL 60523
630.574.3500

PRINTED IN U.S.A.