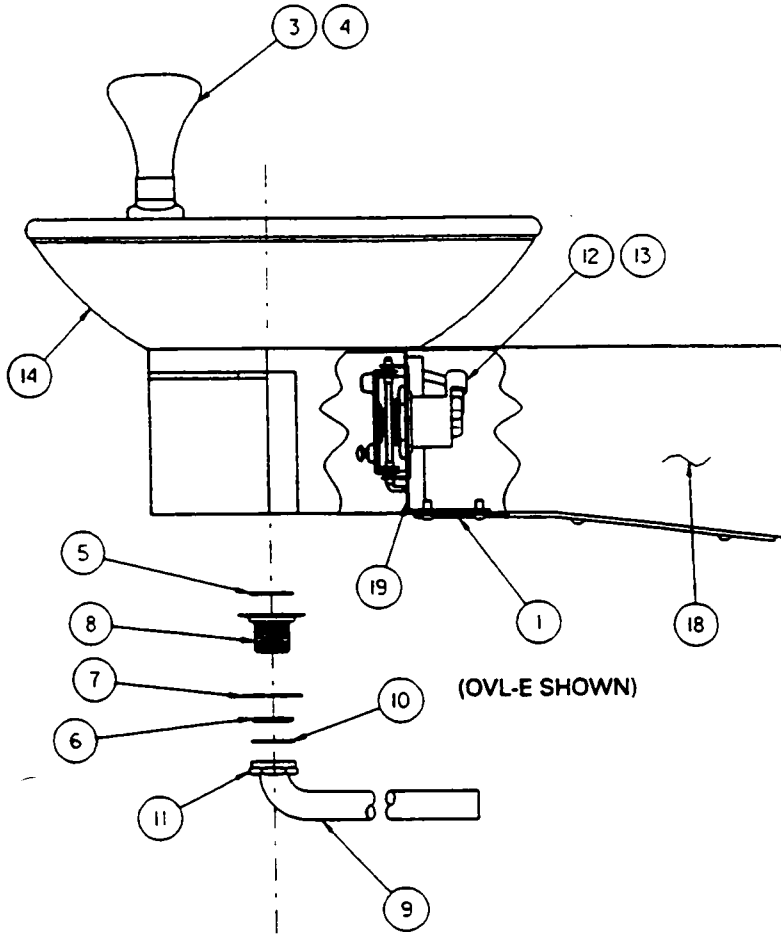


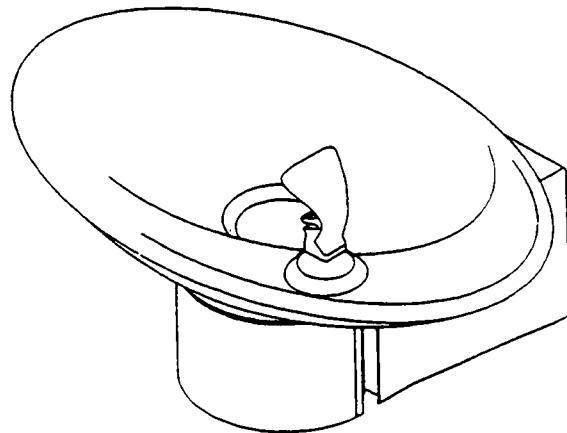
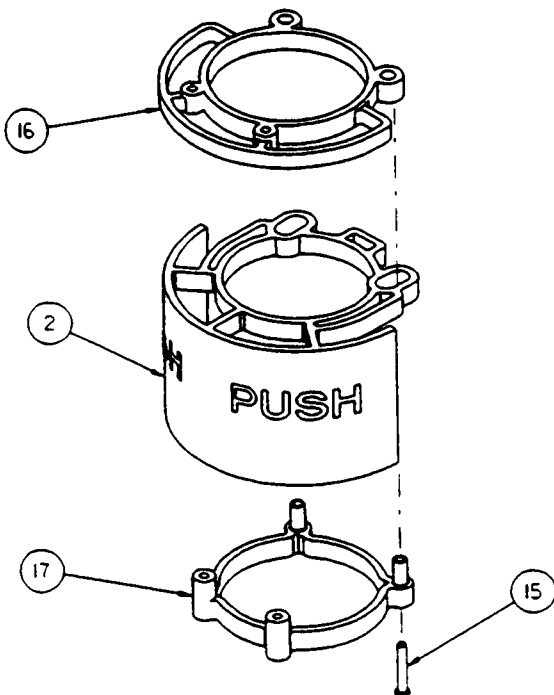
SUPPLEMENTAL INSTRUCTION SHEET OVL-E & OVL-S MARBLYTE FOUNTAINS



ITEMIZED PARTS LIST

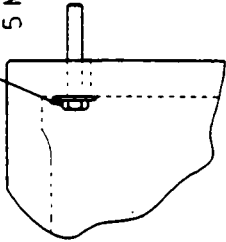
ITEM NO.	PART NO.	DESCRIPTION
1	26990C 26988C	BOTTOM COVER (OVL-S) BOTTOM COVER (OVL-E)
2	55836C	PUSH ARM ACTUATOR
3	51546C	BUBBLER
4	100322740560	BUBBLER GASKET
5	160270508640	STRAINER PLATE
6	110346220550	DRAIN NUT
7	101637451550	FRICTION RING
8	161637308640	DRAIN PLUG
9	45683C 45682C	WASTE ELBOW OVL-E WASTE ELBOW OVL-S
10	100023340560	WASTE TUBE GASKET
11	161570808550	SLIP NUT
12	61314C	REGULATOR
13	50985C	REGULATOR HOLDER
14	55951C 55952C	BASIN-GRAY MARBLYTE BASIN-BLACK MARBLYTE
15	70861C	SCREW #10-24 X 2
16	55840C	TOP PLATE
17	55839C	BOTTOM PLATE
18	27002C 27004C	ARM OVL-E W/WELDNUTS ARM OVL-S W/WELDNUTS
19	26992C	REGULATOR MOUNTING BRACKET

PUSH BAR MECHANISM

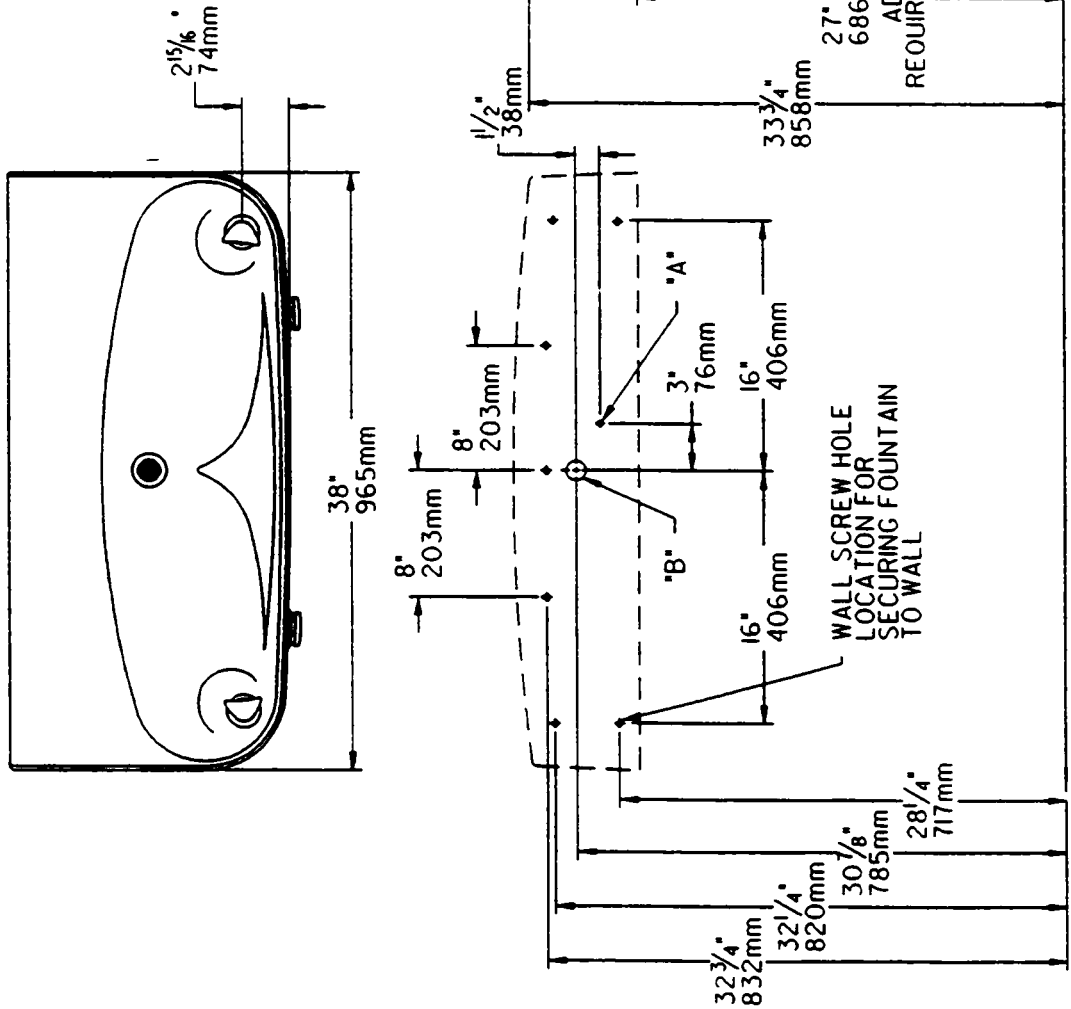


7120 FOUNTAIN ROUGH-IN

WASHER REQUIRED TO MINIMIZE BREAKAGE OF FOUNTAIN (TYPICAL ALL 5 MOUNTING BOLTS)



DETAIL 1



LEGEND:
 A - 3/8" O.D. TUBE CONNECT-SHUT OFF VALVE BY OTHERS
 B - WATER OUTLET 1-1/4" O.D. DRAIN-STUB OUT FROM WALL 1" (25 mm)

FIG. 1

1. Wall should already be framed for the fountain using the positioning dimensions shown in Figure 1. Shown dimensions pertain to installation location (framing must support up to 150 lbs. weight).
2. Install rough-in plumbing as shown in Figure 1. Run supply water inlet line and connect to a service stop (not provided). Turn on supply water and flush thoroughly. Close water supply.
3. Remove bottom access panel from fountain basin and save the screws. Install the fountain to the wall using (4) 5/16" bolts and washers (not provided). Bolts should be long enough to securely fasten the fountain to the wall. Tighten securely, but do not over tighten. Over tightening will crack the Marblyte Fountain.
4. Remove elbow from end of p-trap (item 1) and attach it to drain tube. Re-attach elbow to p-trap and cut waste tube to required length using plumbing hardware and trap as a guide.
5. Make water supply connections from service stop to the fountain Y-strainer (item 19) by inserting the water inlet line into the inlet side of y-strainer until it reaches a positive stop about 3/4", (See Figure 4, Page 3). Turn on water supply and check for leaks. Newly installed water supply line should be insulated after leak checking is complete.
6. These products are designed to operate on 20-105 PSIG supply line pressure. If inlet pressure is above 105 PSIG, a pressure regulator must be installed in the supply line. Any damage caused by reason of connecting these products to supply line pressures lower than 20 PSIG or higher than 105 PSIG is not covered by warranty.
7. Check stream height from bubbler. Stream height is factory set at 45-50 PSI. If supply pressure varies greatly from this, remove items 8 & 12 (See Figure 5 & 6, Page 4) by loosening set screw (item 18) and adjust the screw on regulator (item 14). Clockwise adjustment will raise stream height and counter-clockwise will lower stream height. For best adjustment stream height should be approximately 1-1/2" (38mm) above the bubbler guard.
8. Replace bottom access panel to fountain using the screws provided. Tighten securely.

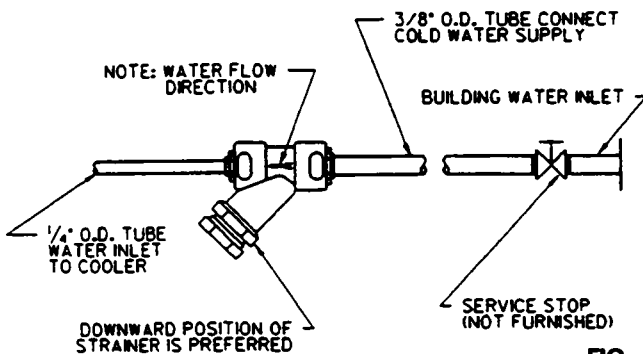
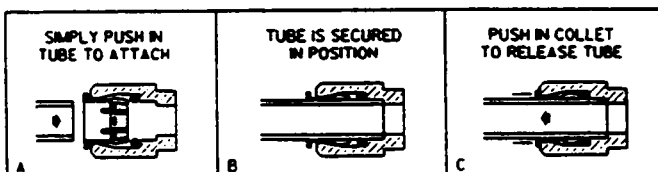


FIG. 3

OPERATION OF QUICK CONNECT FITTINGS



PUSHING TUBE IN BEFORE PULLING IT OUT HELPS TO RELEASE TUBE

FIG. 4

Care and Maintenance of Halsey Taylor Marblyte Fountains

Marblyte provides an extremely durable, nonporous surface which resists staining. Care is very simple. Routine cleaning with a soft sponge or cloth, or with water or non-abrasive aerosol foam cleaner, is all that is normally needed to give many years of trouble free service. Cleaners left standing on the fountain surface can dull the surface finish. Be certain to rinse all cleaning agents completely and polish with a soft cloth.

Harsh abrasive cleaners are not required and should not be used.

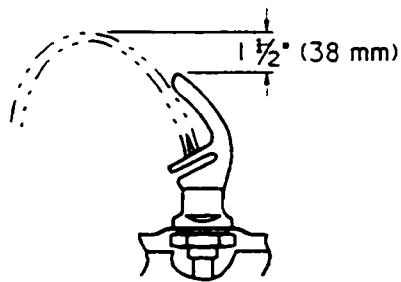
Mild abrasives such as liquid automotive cleaning compound or baking soda paste will remove simple scratches and stains. Cigarette burns can normally be removed without noticeable effect. Deeper scratches or gouges can be corrected with fine grit sandpaper (240 grit then 400 grit) or a green scotchbrite pad.

To maintain or regain luster and make cleaning easier, periodic applications of automobile wax or like products will keep the finish looking like new.

ITEM NO.	PART NO.	DESCRIPTION
1	LK464	Drain
2	75564C	Gasket - Locking
3	112627543890	Scr, 10-24x1/2 PH TR HD-Z
4	15003C	Regulator Extension
5	27293C	Bottom - Cover
6	40045C	Hex - Nut
7	45391C	Ferrule - Drain
8	45662C	Push Button
9	45663C	Push Button Sleeve
10	50985C	Regulator Holder
11	160316508640	Bubbler-2/Stream
12	55919C	Push Button Extension
13	55955C	Fountain - Granite
14	61313C	Regulator
15	62177C	Tube - Cu. .250 x 12"
16	62223C	Tube - Cu. .375 x 4"
17	66483C	Tube Assy - Reg. To Bub
18	70012C	Nut - 3/8 - 1knt
19	70022C	Scr, Set
20	70682C	Tee - 1/4
21	70788C	Y-Strainer
22	75554C	Insert - Threaded

TROUBLE SHOOTING & MAINTENANCE

- Bubbler:** Mineral deposits on orifices can cause water flow to spurt or not regulate. Deposits may be removed from orifices with a small round file not over 1/8" dia. or small diameter wire.
- Stream Regulator:** If orifice is free of material deposits, regulate flow as in instruction on page 3 (Step 7).
- Actuation of Quick Connect Water Fittings:** Cooler is provided with lead-free connectors which utilize an o-ring water seal. To remove tubing from the fitting, relieve water pressure, push in on the gray collar while pulling on the tubing (See Figure 4 on page 3). To insert tubing, push tube straight into the fitting until it reaches a positive stop, approximately 3/4".



CORRECT STREAM HEIGHT

FIG. 5

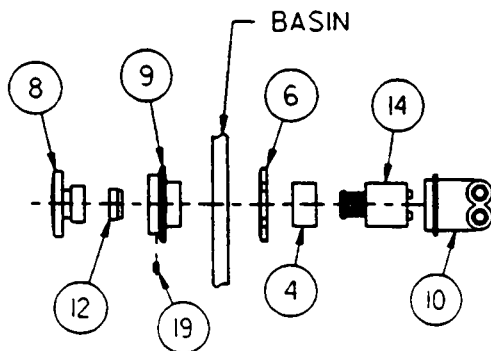
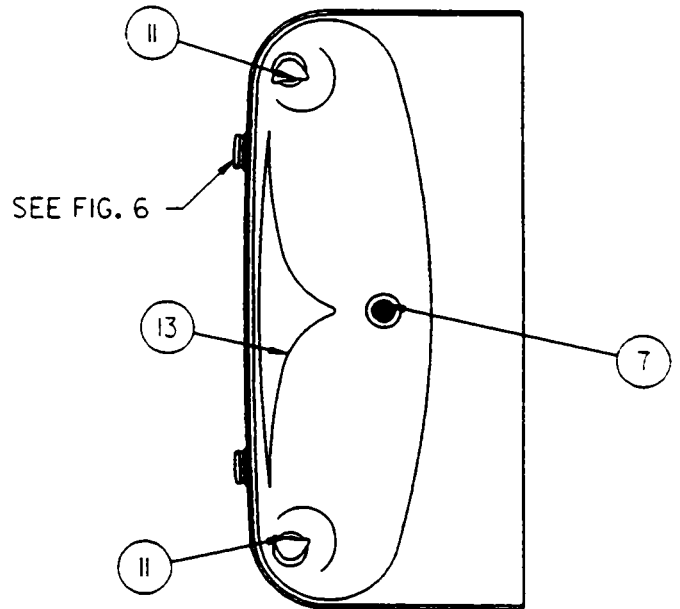
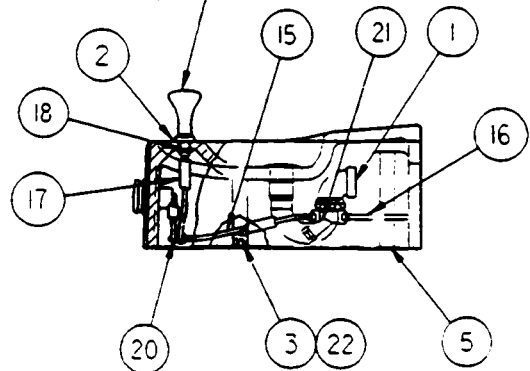


FIG. 6



SEE FIG. 5



Halsey Taylor

2222 CAMDEN COURT
OAK BROOK, IL 60521
630.574.3500

PRINTED IN U.S.A.