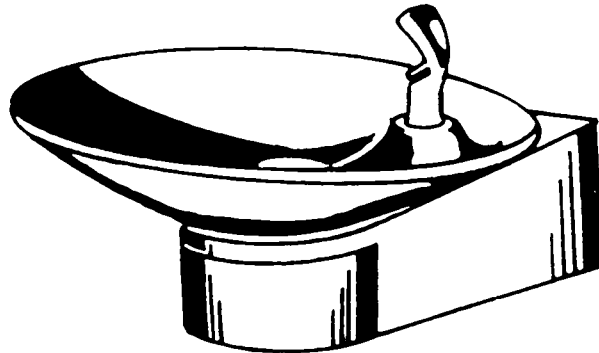




*Halsey Taylor*<sup>®</sup>  
**OVL-E & OVL-S  
FOUNTAIN  
INSTALLATION INSTRUCTIONS**



**Installer**

Halsey Taylor fountains are among the easiest to install on the market today. To assure that you install this model easily and correctly, **PLEASE READ THESE SIMPLE INSTRUCTIONS BEFORE STARTING THIS INSTALLATION.** Check your installation for compliance with plumbing, and other applicable codes. These instructions should be kept as a reference for future service use.

	PAGE
Installation Instructions .....	2
Trouble Shooting & Maintenance .....	2
Parts List and Parts View .....	3
Rough-in Specifications .....	4
For Care of Golden Bronzitone Models See Trouble Shooting & Maintenance .....	2

**NOTE: All service to be performed by authorized service person.**

## INSTALLATION

1. This fountain is to be mounted on a smooth, flat, finished wall surface, with adequate support structure.
2. Establish rim height fountain is to be mounted.
3. Refer to rough-in for plumbing.
4. Locate and install trap. (Trap not furnished.)
5. Install shut-off valve on building water supply. (Shut-off valve not furnished.)
6. Remove access panel from bottom of fountain.
7. Locate and install fountain using 3/8" (10 mm) (minimum) lag screws or bolts (not furnished).

**CAUTION:** This fountain is rated for inlet water pressure of 20-90 PSI. Should the inlet water supply exceed 90 PSI a pressure reducing regulator should be used.

8. Connect fountain to building supply line with a shut-off valve and install a 3/8" (10 mm) water line between the valve and fountain. Remove

burr from outside of water line. Loosen nut on inlet side of y-strainer and insert water line to positive stop approximately 3/4 inch (19 mm). Finger tighten nut to lock tubing in place.

9. To remove waste elbow, remove (4) screws (item 19) and drop bottom plate (item 21) and push bar (item 3) down. Waste elbow slip nut (item 14) is now accessible. Connect fountain drain.
10. Turn "ON" water supply and check all connections for leaks
11. Adjust projector stream height.
12. If needed, adjust push arm/regulator clearance by turning phillips head screw on regulator bracket ass'y. (item 1). Turning screw CCW should correct water coming out of projector continuously.
13. Reinstall access panel using screws provided.

## TROUBLE SHOOTING & MAINTENANCE

**PROJECTOR:** If mineral deposits build up in orifices, they can be removed by using a round file or small diameter wire. **CAUTION:** Care must be taken not to damage orifices.

**STREAM REGULATOR:** Adjust stream height by turning the pressure regulator screw on item 15 located under the fountain access panel.

### Actuation of Quick Connect Water Fittings:

Cooler is provided with lead-free connectors which utilize an o-ring water seal. To remove tubing from the fitting, relieve water pressure, push in on the gray collar while pulling out on the tubing. To insert tubing, push tube straight into fitting until it reaches a positive stop, approximately 3/4" (19 mm). See Fig. 1

**CAUTION:** Cleaning of Golden Bronzitone Models requires special care. Outer surfaces must be cleaned with a mild detergent or vinegar and water ONLY. Rinsed and wiped dry. Abrasive and acidic cleaners may eventually damage the Golden Bronzitone Finish.

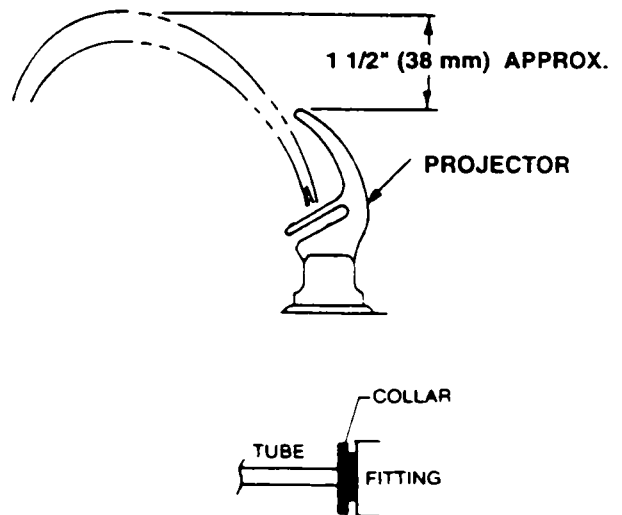
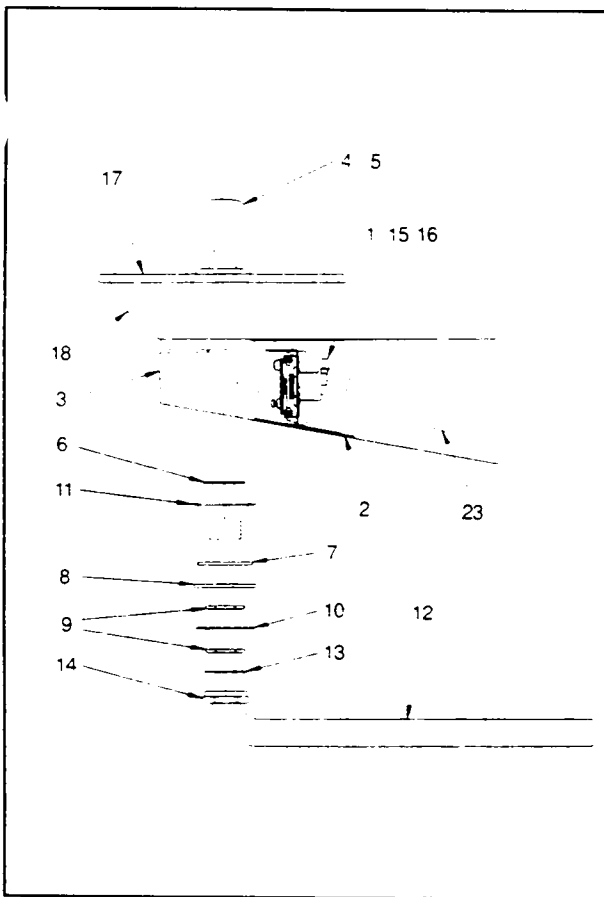
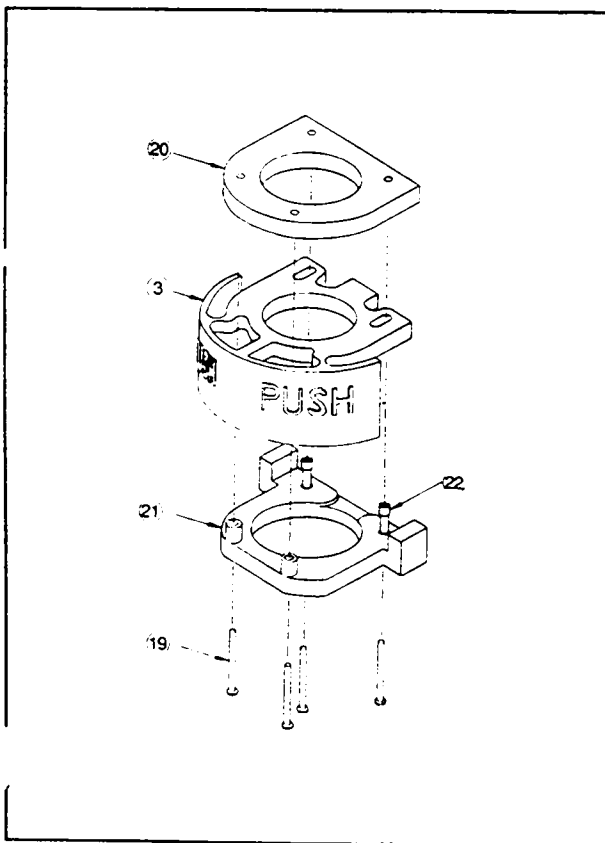


FIG. 1

## OVL FOUNTAIN



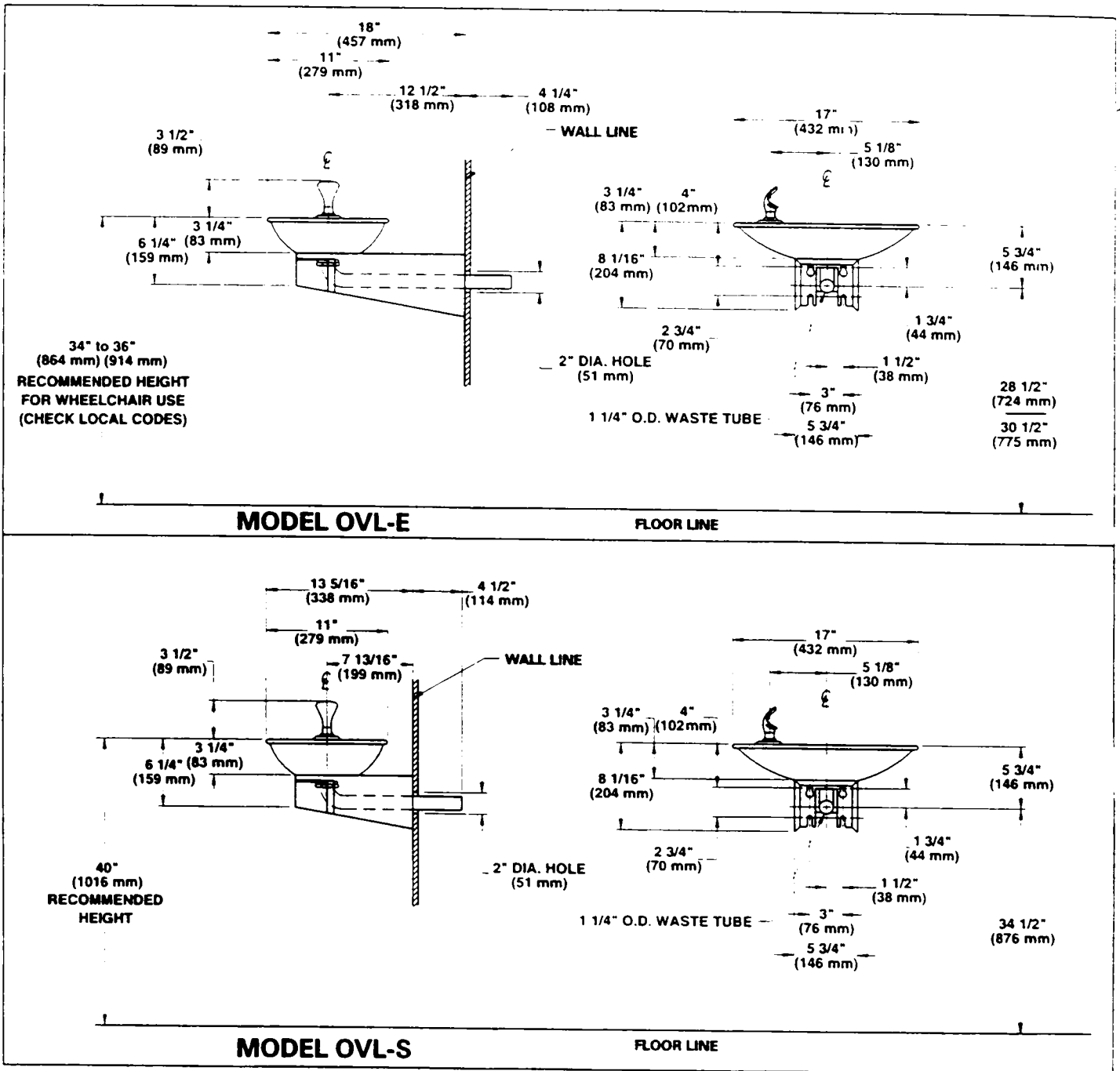
## PUSH BAR MECHANISM



## ITEMIZED PARTS LIST

ITEM	PART NUMBER	DESCRIPTION
1	22647-C	REGULATOR/BRKT. ASS'Y.
2	22638-C	BOTTOM COVER (OVL-S)
	22639-C	BOTTOM COVER (OVL-E)
3	10-15700-31-820	PUSH ARM ACTUATOR
	41-15700-31-450	PUSH ARM ACTUATOR-GOLDEN BRONZETONE
4	51493-C	BUBBLER
	51494-C	BUBBLER-GOLDEN BRONZETONE
5	10-03227-40-560	BUBBLER GASKET
6	16-02705-08-640	STRAINER PLATE
	41-02705-08-450	STRAINER PLATE-GOLDEN BRONZETONE
7	10-15705-40-560	DRAIN GASKET
8	51575-C	PACKING RING
9	11-03462-08-550	DRAIN NUT
10	10-16374-51-550	FRICTION RING
11	16-15704-08-640	DRAIN PLUG
	41-26292-51-450	DRAIN PLUG/STRAINER-GOLDEN BRONZETONE
12	16-15709-08-550	WASTE ELBOW OVL-E
	16-15707-08-550	WASTE ELBOW OVL-S
13	10-00233-40-560	WASTE TUBE GASKET
14	16-15708-08-550	SLIP NUT
*15	61314-C	REGULATOR
*16	40289-C	REGULATOR HOUSING
17	22640-C	BASIN
	22641-C	BASIN-GOLDEN BRONZETONE
18	22642-C	BASIN LINER
	22643-C	BASIN LINER-GOLDEN BRONZETONE
19	70861-C	SCREW #10-24 X 2"
20	10-15641-31-550	TOP PLATE
21	10-15701-31-550	BOTTOM PLATE
22	11-15702-08-550	DOWEL PIN
23	22651-C	CARRIER ARM-OVL-E
	22653-C	CARRIER ARM-GOLDEN BRONZETONE OVL-E
	22652-C	CARRIER ARM OVL-S
	22654-C	CARRIER ARM-GOLDEN BRONZETONE OVL-S
24	70788-C	Y-Strainer (Not Shown)

\* Items included with item No. 1



*Halsey Taylor*<sup>®</sup>

P.O. BOX 9001  
OAK BROOK, IL 60521