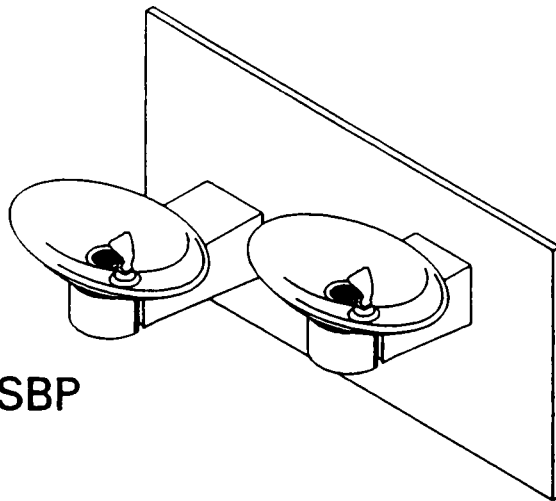


Halsey Taylor Owners Manual

Models: OVL-EBP, OVL-SBP, OVL-ESBP

Non-Refrigerated Fountains with Back Panels



OVL-ESBP

Installer

To assure you install this model easily and correctly,
**PLEASE READ THESE SIMPLE INSTRUCTIONS BEFORE STARTING THE
INSTALLATION. CHECK YOUR INSTALLATION FOR COMPLIANCE WITH
PLUMBING, ELECTRICAL AND OTHER APPLICABLE CODES.** After install-
ation, leave these instructions inside the cooler for future reference.

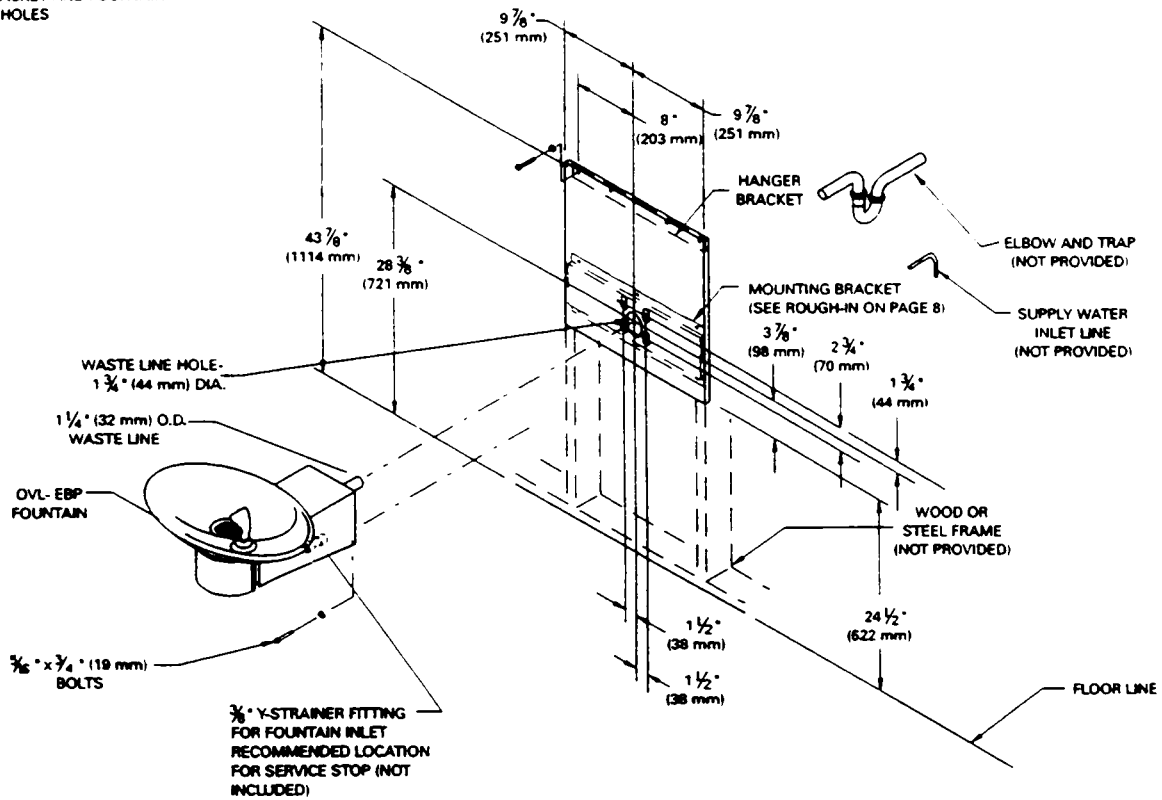
IMPORTANT

ALL SERVICE TO BE PERFORMED BY AN AUTHORIZED SERVICE PERSON

Installation: OVL-EBP	Page 2
Installation: OVL-SBP	Page 3
Installation: OVL-ESBP	Page 4
Parts List: OVL-EBP, OVL-SBP and OVL-ESBP	Page 11
Care of Golden Bronzestone Models	Page 12

DIMENSIONS SHOWN LOCATE WASTE LINE HOLE. $1\frac{1}{4}$ " (32 mm) DIA. HOLE. INLET LINE. $\frac{3}{8}$ " (22 mm) DIA. HOLE. HANGER BRACKET AND FOUNTAIN MOUNTING HOLES

OVL-EBP BARRIER-FREE FOUNTAIN WITH BACK PANEL



* $24\frac{1}{2}$ " (622 mm) required to obtain a projector orifice height of $35\frac{3}{4}$ " (908 mm) for wheelchair users. When installing this unit, LOCAL, STATE and FEDERAL CODES should be adhered to and dimensions adjusted accordingly.

OPERATING PRESSURE:
Supply water - 90 PSI Maximum

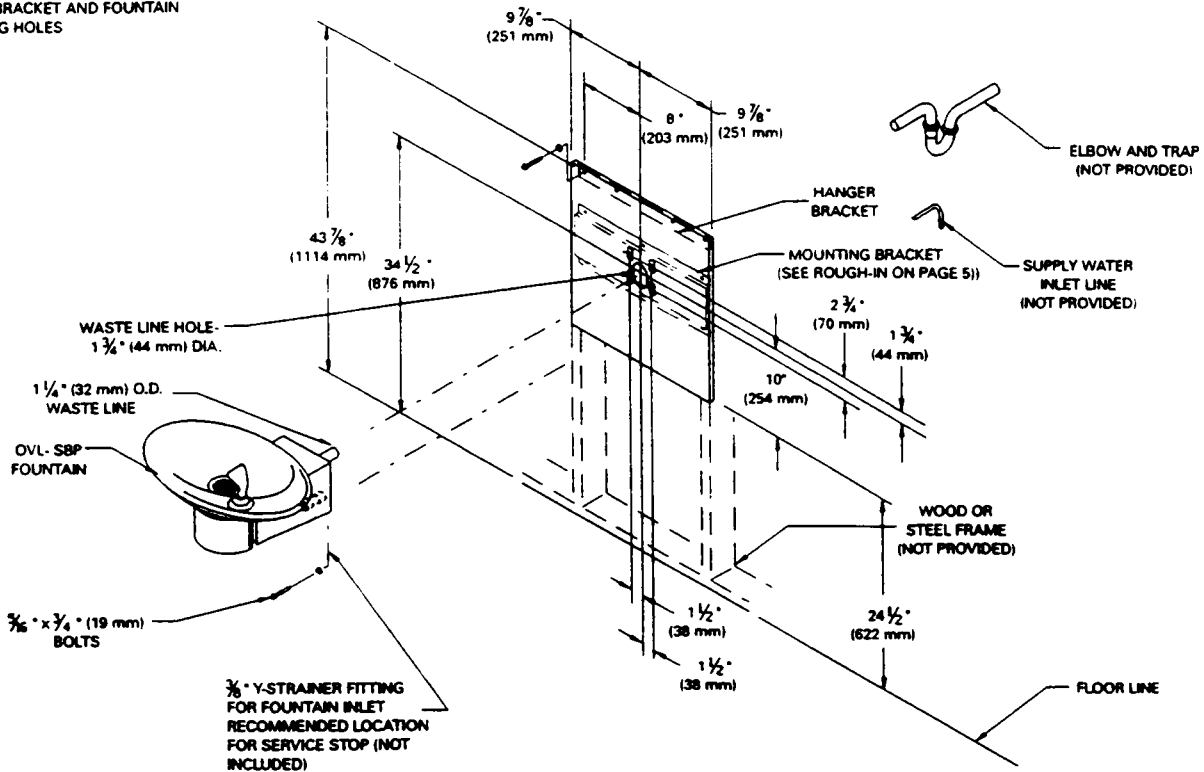
FIG.

1. Wall should already be framed for the fountain using the positioning dimensions shown in Figure 1 and rough-in on page 8. Shown dimensions pertain to installation location (framing must support up to 150 lbs. weight). These dimensions are required for compliance with ANSI Standard A117.0 (Framing shown for reference only).
3. Attach hanger bracket to wall and level as shown in Figure 1. Using four (4) $\frac{5}{16}$ " x $\frac{3}{4}$ " (19 mm) long bolts and flat washers (not provided). Tighten securely.
4. Install back panel. Place the upper edge of the panel above hanger on the wall. Slide the panel down until it engages the hanger. Be sure back panel is firmly engaged before releasing it.
5. Install rough-in plumbing as shown in Figure 1. Waste line should extend a minimum of 2" (51 mm) through the back panel. Run supply water inlet line through back panel. Install a service stop (not provided). Turn on supply water and flush thoroughly.
6. Remove bottom access panel from fountain basin and save the screws. Install the fountain to the back panel and wall using four (4) $\frac{5}{16}$ " x $\frac{3}{4}$ " (19 mm) long lag bolts and washers (not provided) through holes in back panel. Tighten securely.
7. Cut waste tube to required length using plumbing hardware and trap (not provided) as a guide. Install hardware and trap. Tighten securely.

8. Make water supply connections from service stop to the fountain Y-strainer. Insert water line to positive stop approximately $\frac{3}{4}$ " (19 mm) on inlet side of Y-strainer. (See figure 5). Turn on water supply and check for leaks. Newly installed water supply line should be insulated after leak check is completed.
9. Check stream height from bubbler. Stream height is factory factory set at 45 - 50 PSI. If supply pressure varies greatly from this, adjust screw on regulator. Clockwise adjustment will raise stream height and CCW adjustment will lower stream height. For best adjustment stream height should be approximately $1\frac{1}{2}$ " (38 mm) above the bubbler guard.
10. Replace bottom access panel to fountain basins using screws provided. Tighten securely.

DIMENSIONS SHOWN LOCATE WASTE LINE HOLE. $1\frac{1}{4}$ " (32 mm) DIA. HOLE. INLET LINE, $\frac{7}{8}$ " (22 mm) DIA. HOLE. HANGER BRACKET AND FOUNTAIN MOUNTING HOLES

OVL-SBP FACE MOUNTED FOUNTAIN WITH BACK PANEL



OPERATING PRESSURE:
Supply water - 90 PSI Maximum

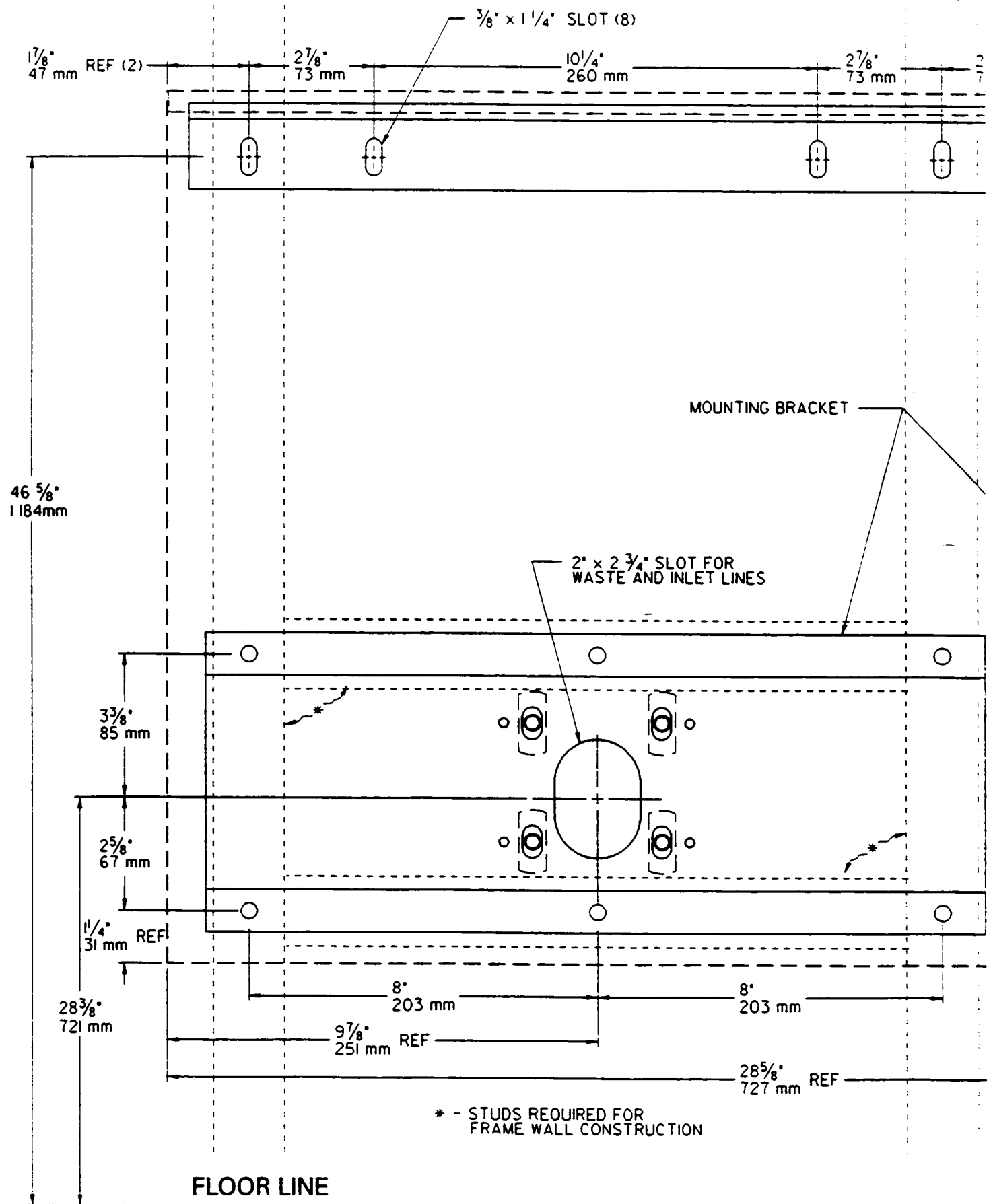
When installing this unit, LOCAL, STATE and FEDERAL CODES should be adhered to and dimensions adjusted accordingly.

FIG. 2

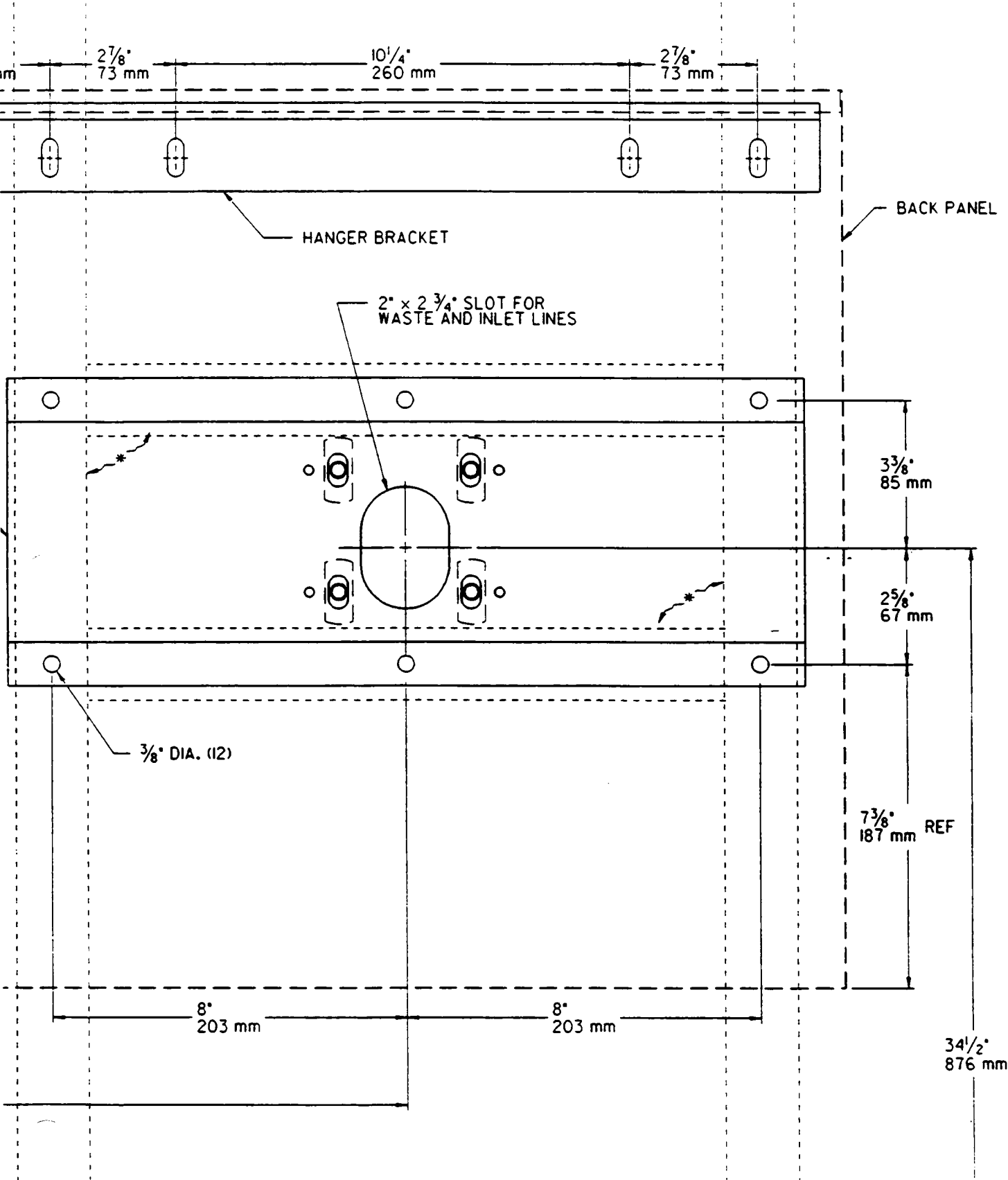
1. Wall should already be framed for the fountain using the positioning dimensions shown in Figure 2 and the rough-in on page 5. Shown dimensions pertain to installation location (framing must support up to 150 lbs. weight). These dimensions are required for compliance with ANSI Standard A117.0 (Framing shown for reference only).
2. Attach hanger bracket to wall and level as shown in Figure 2. Using four (4) $\frac{5}{16}$ " x $\frac{3}{4}$ " (19 mm) long bolts and flat washers (not provided). Tighten securely.
3. Install back panel. Place the upper edge of the panel above hanger on the wall. Slide the panel down until it engages the hanger. Be sure back panel is firmly engaged before releasing it.
4. Install rough-in plumbing as shown in Figure 3. Waste line should extend a minimum of 2" (51 mm) through the back panel. Run supply water inlet line through back panel. Install a service stop (not provided). Turn on supply water and flush thoroughly.
5. Remove bottom access panel from fountain basin and save the screws. Install the fountain to the back panel and wall using four (4) $\frac{5}{16}$ " x $\frac{3}{4}$ " (19 mm) long lag bolts and washers (not provided) through holes in back panel. Tighten securely.
6. Cut waste tube to required length using plumbing hardware and trap (not provided) as a guide. Install hardware and trap. Tighten securely.

7. Make water supply connections from service stop to the fountain Y-strainer. Insert water line to positive stop approximately $\frac{3}{4}$ " (19 mm) on inlet side of Y-strainer. (See figure 5). Turn on water supply and check for leaks. Newly installed water supply line should be insulated after leak check is completed.
8. Check stream height from bubbler. Stream height is factory set at 45 - 50 PSI. If supply pressure varies greatly from this, adjust screw on regulator. Clockwise adjustment will raise stream height and CCW adjustment will lower stream height. For best adjustment stream height should be approximately $1\frac{1}{2}$ " (38 mm) above the bubbler guard.
9. Replace bottom access panel to fountain basins using screws provided. Tighten securely.

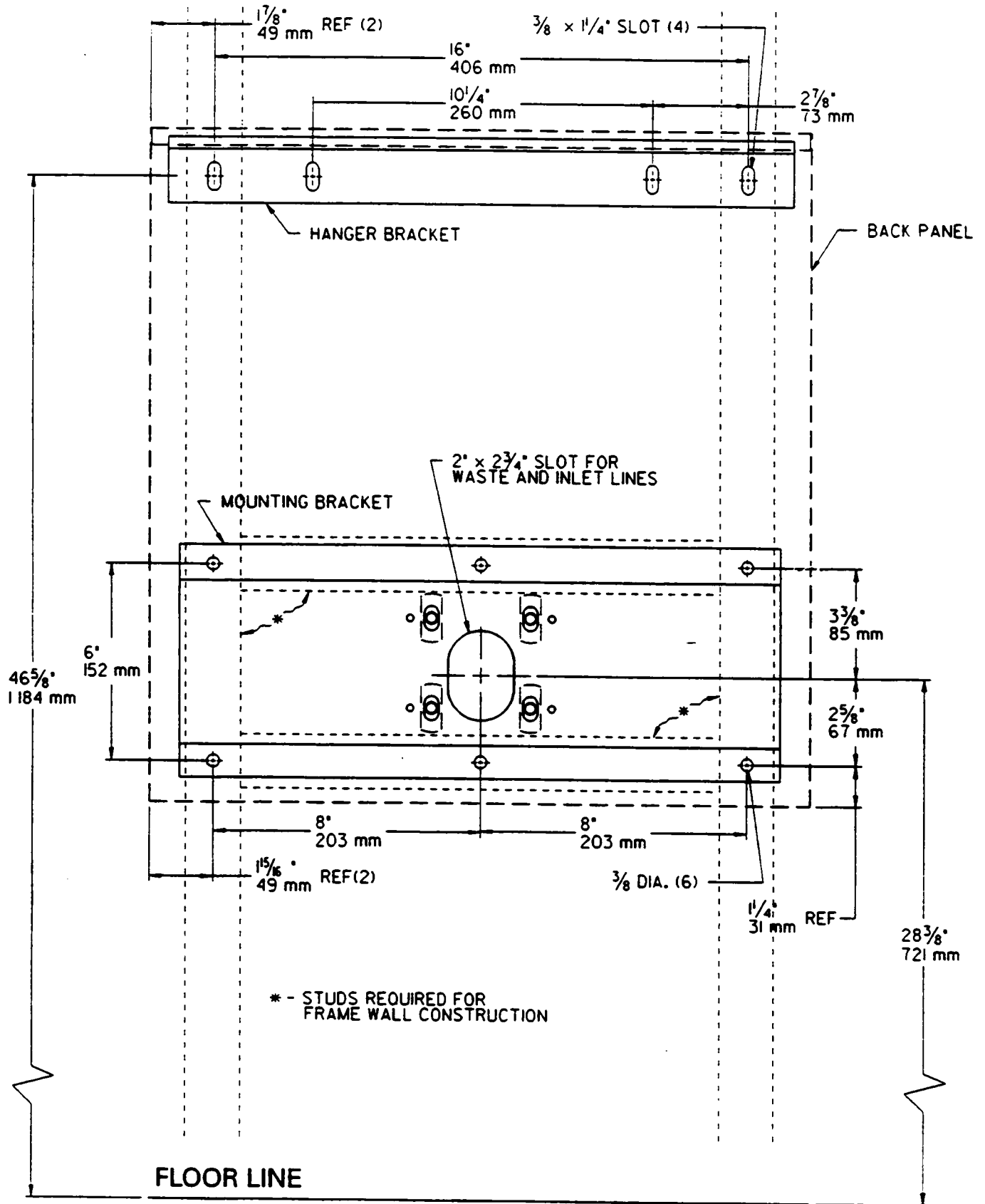
ROUGH-II



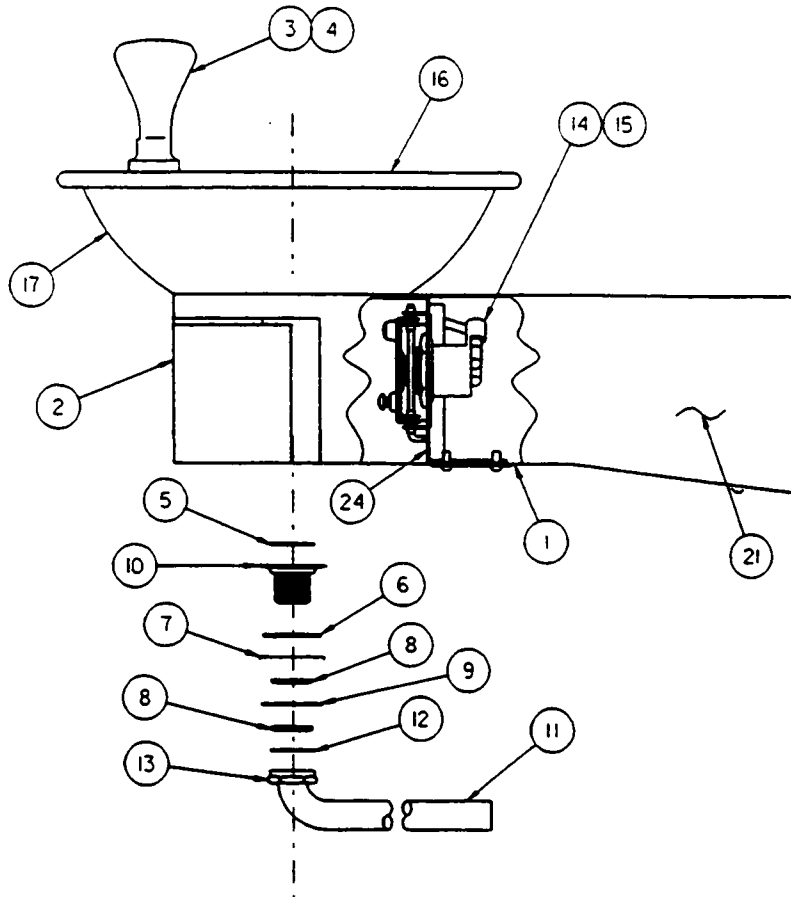
FOR OVL-ESBP



ROUGH-IN FOR OVL-EBP



OVL FOUNTAIN



PUSH BAR MECHANISM

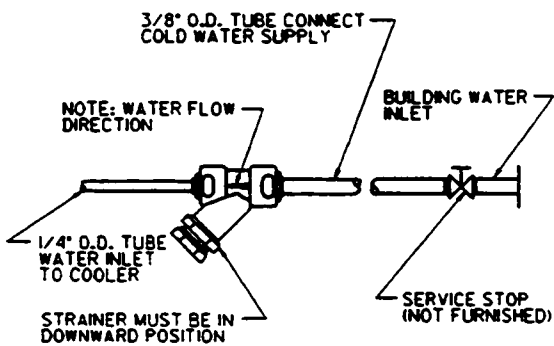
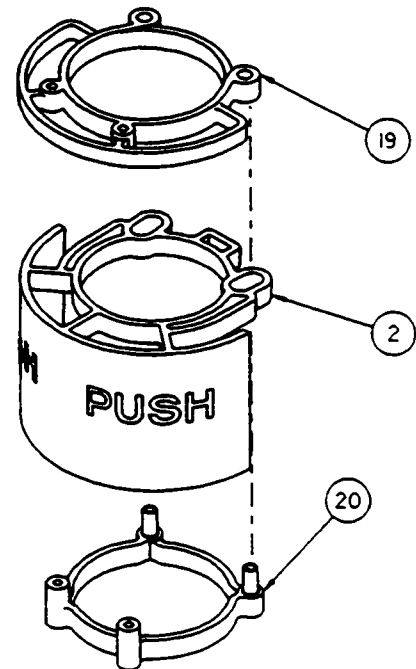


FIG. 5

OPERATION OF QUICK CONNECT FITTINGS

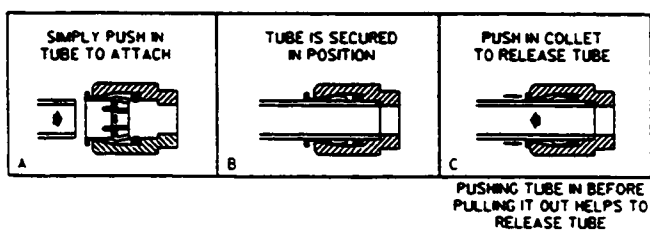
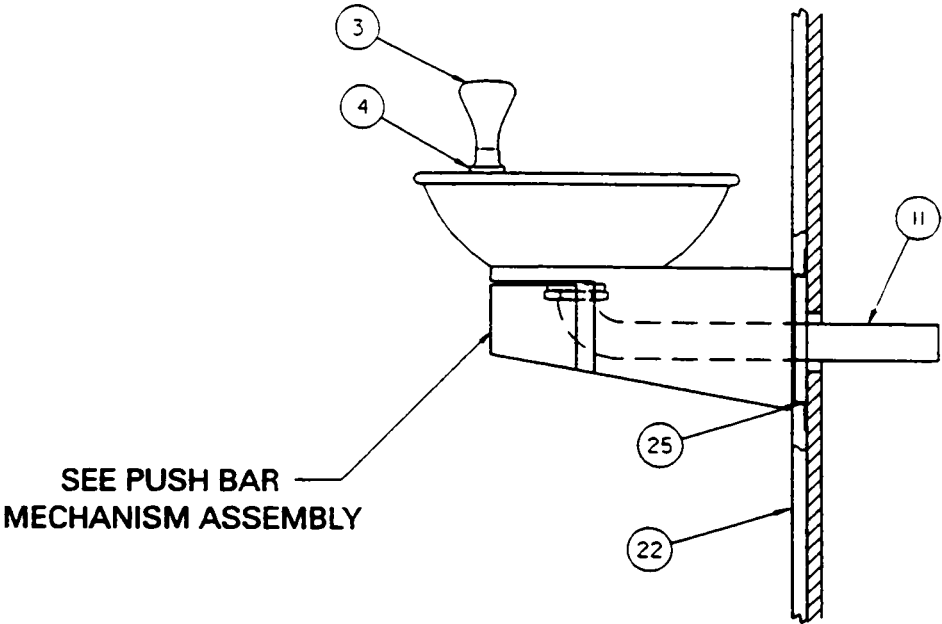


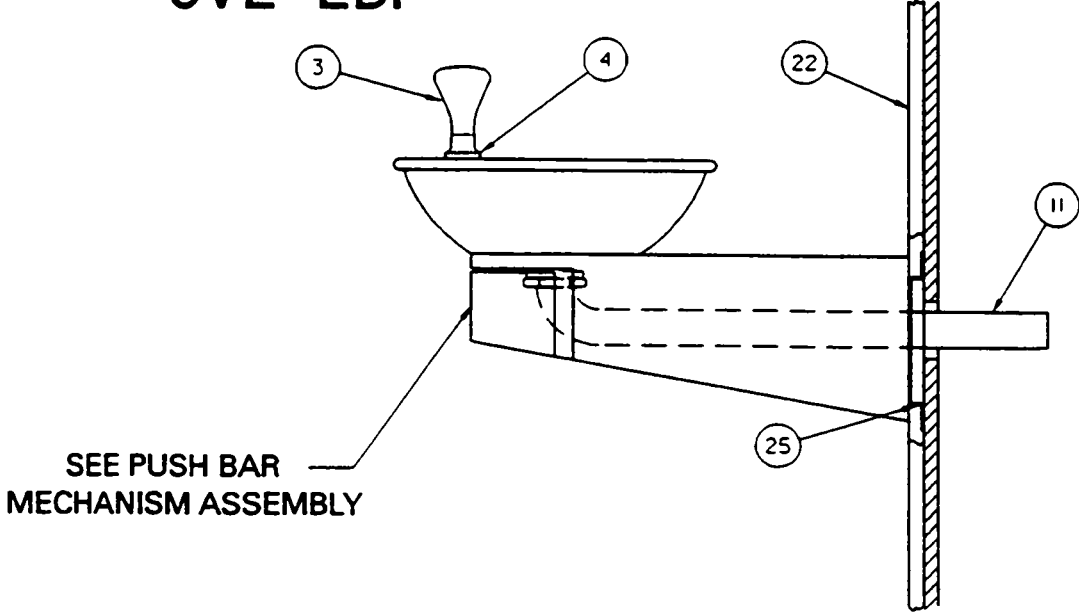
FIG. 6

FIG. 4

OVL - SBP



OVL - EBP



ITEMIZED PARTS LIST

ITEM NO.	PART NO.	DESCRIPTION
1	26990C	Bottom Cover (OVL-SBP)
	26988C	Bottom Cover (OVL-EBP)
2	55836C	Push Arm Actuator
	55837C	Push Arm Actuator - Golden Bronzestone
3	51493C	Bubbler
	52494C	Bubbler - Golden Bronzestone
4	100322740560	Bubbler Gasket
5	160270508640	Strainer Plate
	410270508450	Strainer Plate - Golden Bronzestone
6	101570540560	Drain Gasket
7	51575C	Packing Ring
8	110346208550	Drain Nut
9	101637451550	Friction Ring
10	161570408640	Drain Plug
	412629251450	Drain Plug/Strainer - Golden Bronzestone
11	161570908550	Waste Elbow OVL-EBP
	161570708550	Waste Elbow OVL-SBP
12	100023340560	Waste Tube Gasket
13	161570808550	Slip Nut
14	61314C	Regulator
15	40289C	Regulator Housing
16	27006C	Basin
	27007C	Basin - Golden Bronzestone
17	27000C	Basin Liner
	27001C	Basin Liner - Golden Bronzestone
18	70861C	Screw #10-24 X 2"
19	55840C	Top Plate
20	55839C	Bottom Plate
21	27011C	Arm OVL-E W/Weldnuts
	27013C	Carrier Arm - Golden Bronzestone OVL-EBP
	27012C	Arm OVL-S W/Weldnuts
	27014C	Carrier Arm - Golden Bronzestone OVL-SBP
22	22797C	Panel-Upper OVL-E
	22798C	Back Panel - Golden Bronzestone OVL-EBP
	22799C	Panel-Upper OVL-S
	22800C	Back Panel - Golden Bronzestone OVL-SBP
	22795C	Back Panel OVL-ESBP
22	22796C	Back Panel - Golden Bronzestone OVL-ESBP
23	70788C	Y - Strainer
24	26992C	Regulator Mounting Bracket
25	27084C	Fountain Mounting Bracket
NOT SHOWN	27089C	Back Panel Hanger Bracket OVL-EBP/SBP
NOT SHOWN	27090C	Back Panel Hanger Bracket OVL-ESBP

CAUTION

Cleaning of Golden Bronzitone Models requires special care. Outer surfaces must be cleaned with a mild detergent or mixture of vinegar and water only, rinsed and wiped dry. Abrasive and acidic cleaners may eventually damage the Golden Bronzitone finish.

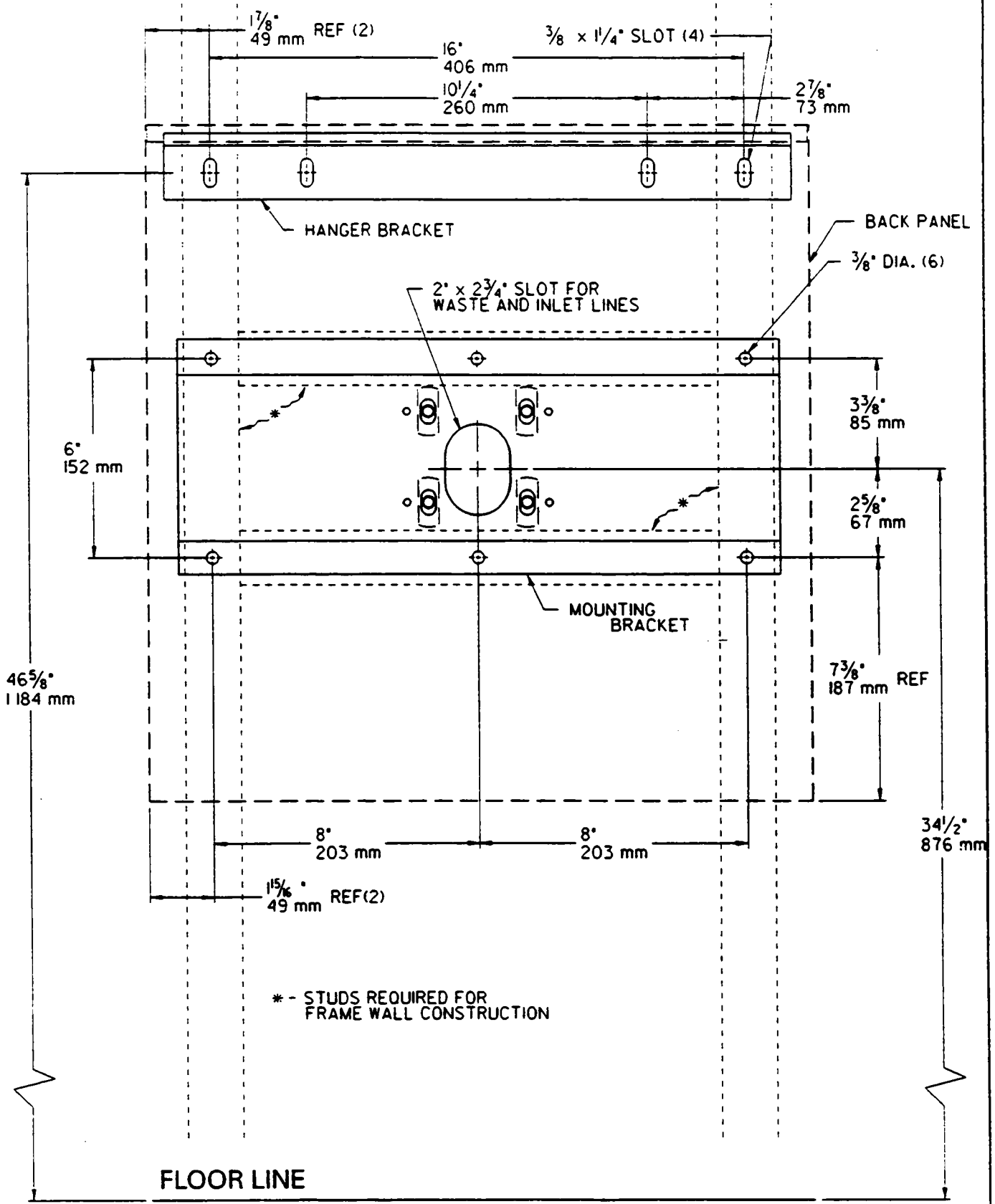
Halsey Taylor®

P. O. BOX 9001
OAK BROOK, IL 60521
(708) 574-3500

PRINTED IN U. S. A.

FOR PARTS, CONTACT YOUR LOCAL DISTRIBUTOR OR CALL 1-800-323-0620

ROUGH-IN FOR OVL-SBP



* - STUDS REQUIRED FOR FRAME WALL CONSTRUCTION