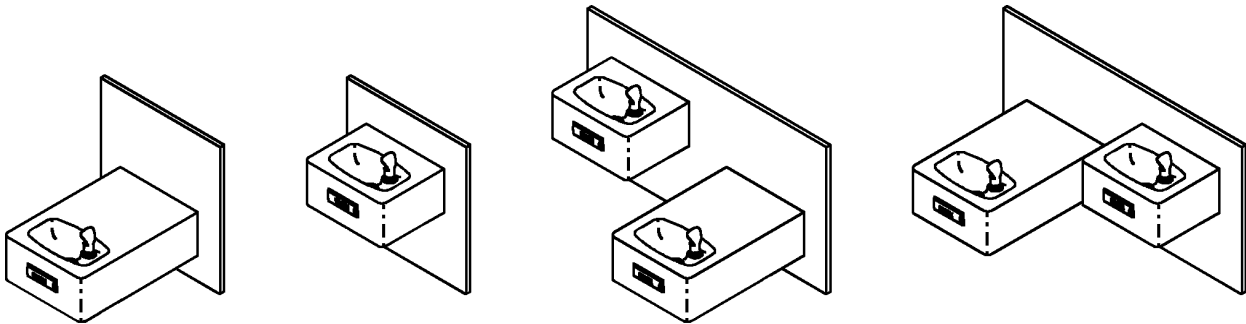


Halsey Taylor Owners Manual

Wall Mount Steel Fountains



HT-EBP

HT-SBP

HT-SEBP

HT-ESBP

INSTALLER

These series fountains are among the easiest to install Fountains on the market today. To assure you install these models easily and correctly, **PLEASE READ THESE SIMPLE INSTRUCTIONS BEFORE STARTING THE INSTALLATION. CHECK YOUR INSTALLATION FOR COMPLIANCE WITH PLUMBING, ELECTRICAL, AND OTHER APPLICABLE CODES.** After installation, leave these instructions with the Fountain for future reference.

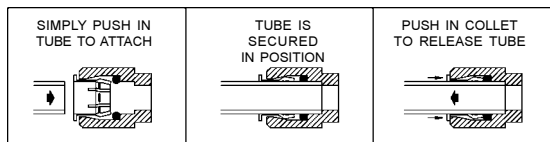
IMPORTANT

ALL SERVICE TO BE PERFORMED BY AN AUTHORIZED SERVICE PERSON

IMPORTANT! INSTALLER PLEASE NOTE.

THE GROUNDING OF ELECTRICAL EQUIPMENT SUCH AS TELEPHONE, COMPUTERS, ETC. TO WATER LINES IS A COMMON PROCEDURE. THIS GROUNDING MAY BE IN THE BUILDING OR MAY OCCUR AWAY FROM THE BUILDING. THIS GROUNDING CAN CAUSE ELECTRICAL FEEDBACK INTO A FOUNTAIN, CREATING AN ELECTROLYSIS WHICH CAUSES A METALLIC TASTE OR AN INCREASE IN THE METAL CONTENT OF THE WATER. THIS CONDITION IS AVOIDABLE BY USING THE PROPER MATERIALS AS INDICATED. ANY DRAIN FITTINGS PROVIDED BY THE INSTALLER SHOULD BE MADE OF PLASTIC TO ELECTRICALLY ISOLATE THE FOUNTAIN FROM THE BUILDING PLUMBING SYSTEM.

OPERATION OF QUICK CONNECT FITTINGS



PUSHING TUBE IN BEFORE PULLING IT OUT HELPS TO RELEASE TUBE

FIG. 1

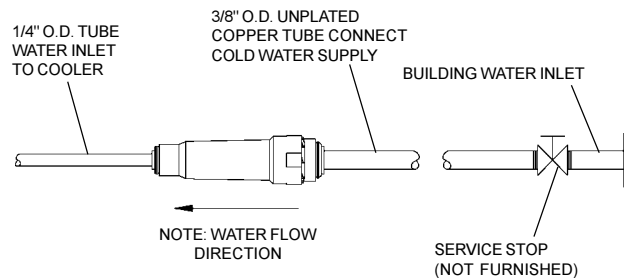
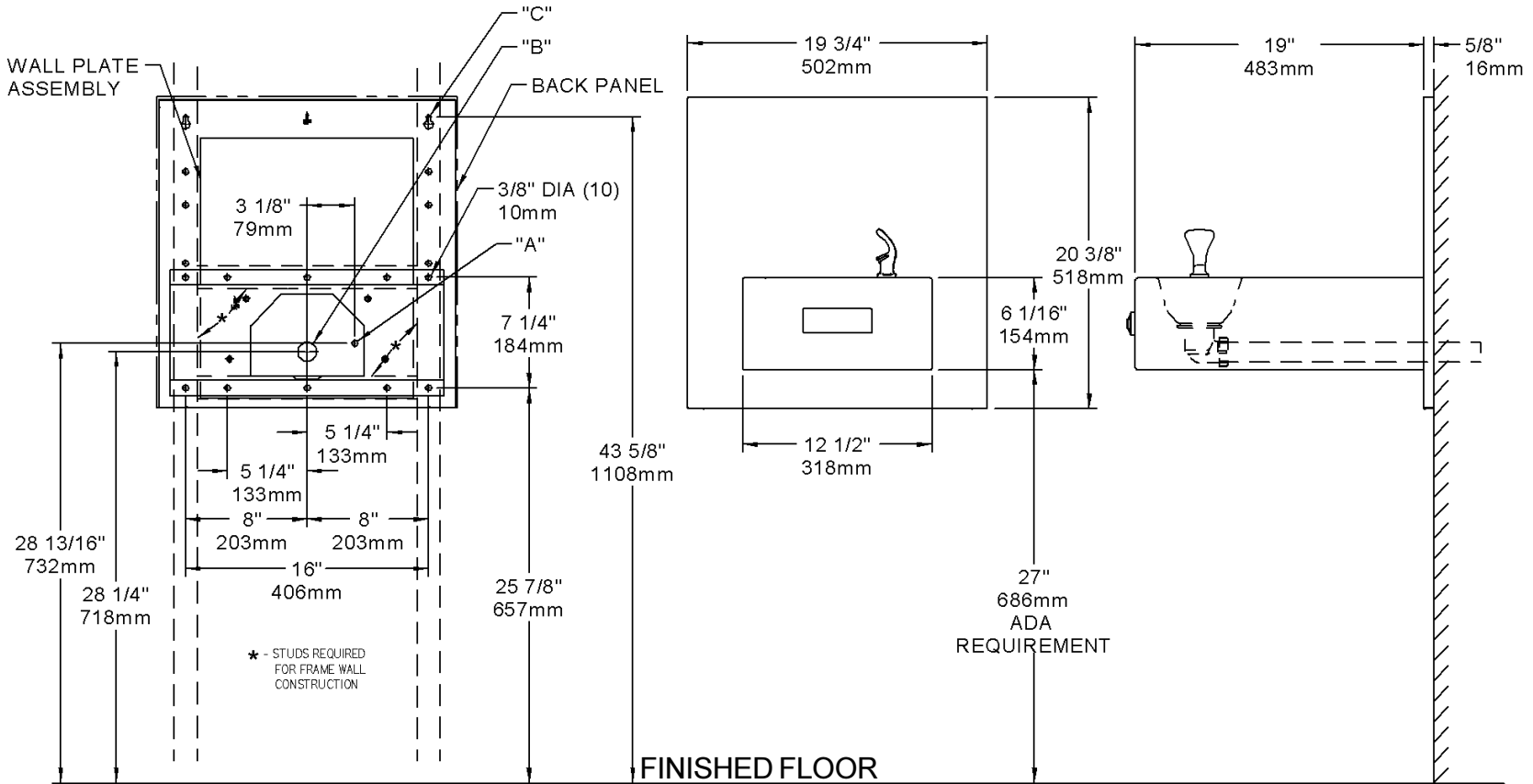


FIG. 2

HT - EBP/SBP/SEBP/ESBP COOLER INSTALLATION

- 1. Wall should already be framed for the fountain** using the rough-in dimensions shown in Fig's. 3,4,5, or 6. Shown dimensions pertain to installation location (framing must support up to 150 lbs. weight for single fountain and 300 lbs. for dual fountains). These dimensions are required for compliance with ANSI Standard A117.0.
- 2. Attach wall plate assembly to wall** as shown in Fig's. 3,4,5, or 6 using 5/16" x 2" long bolts and flat washers (not provided). Tighten securely. (Fastener must match wall type, i.e. lag screws for wood studs, bolts and anchors for masonry construction.)
- 3. Install back panel.** Place the upper edge of the panel above mounting plate on the wall. Slide the panel down until it engages the mounting plate. Be sure back panel is firmly engaged before releasing it.
- 4. Install rough-in plumbing** as shown in Fig's. 3,4,5, or 6. Waste line should extend a minimum of 2" (51mm) thru the back panel. Run supply water inlet line thru back panel. Install a service stop (not provided). Turn on supply water and flush thoroughly.
- 5. Remove bottom access panel** from fountain basin and save the screws. Install the fountain to the back panel and wall using (4) 5/16 " x 3/4" long bolts and washers (provided) thru holes in back panel. Tighten securely.
- 6. Cut waste tube to required length** using plumbing hardware and trap (not provided) as a guide. Install hardware and trap. Tighten securely.
- 7. Make water supply connections** from service stop to the fountain strainer. Insert the water inlet line into the inlet side of strainer until it reaches a positive stop - about 3/4" (See Fig. 2). Turn on water supply and check for leaks. Newly installed water supply line should be insulated after leak check is completed. **DO NOT SOLDER TUBES INSERTED INTO THE STRAINER AS DAMAGE TO THE O-RINGS MAY RESULT.**
- 8. Check stream height from bubbler.** Stream height is factory set at 45-50 PSI. If supply pressure varies greatly from this, adjust the screw on regulator (item 13, on page 7). Clockwise adjustment will raise stream height and counter-clockwise will lower stream height. For best adjustment stream height should be approximately 1-1/2" (38mm) above the bubbler guard. (See Figure 8)
- 9. Water Valve Mechanism - ADJUSTMENT PROCEDURE:**
 - Turn adjustment screw (Item 7, page 7) counter-clockwise until water flow from bubbler starts
 - Turn adjustment screw clockwise until water flow stops, then turn an additional 1/2 turn
- 10. Replace bottom access panel** to fountain using the screws provided. Tighten securely.

HT - EBP

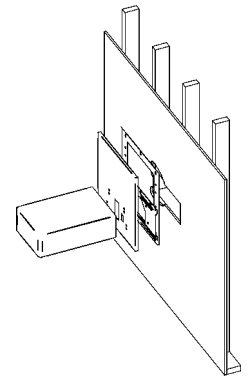


HT-EBP*E, HT-SBP*E, HT-SEBP*K, HT-ESBP*K

FIG. 3

LEGEND:

- A = 3/8" O.D. UNPLATED COPPER TUBE CONNECT (WATER SUPPLY)**
- B = 1-1/4" O.D. WASTE TUBE (ELBOW AND TRAP NOT PROVIDED)**
- C = 1/4" DIA. (6mm) HOLES FOR MOUNTING PLATE TO WALL**



HT - SBP

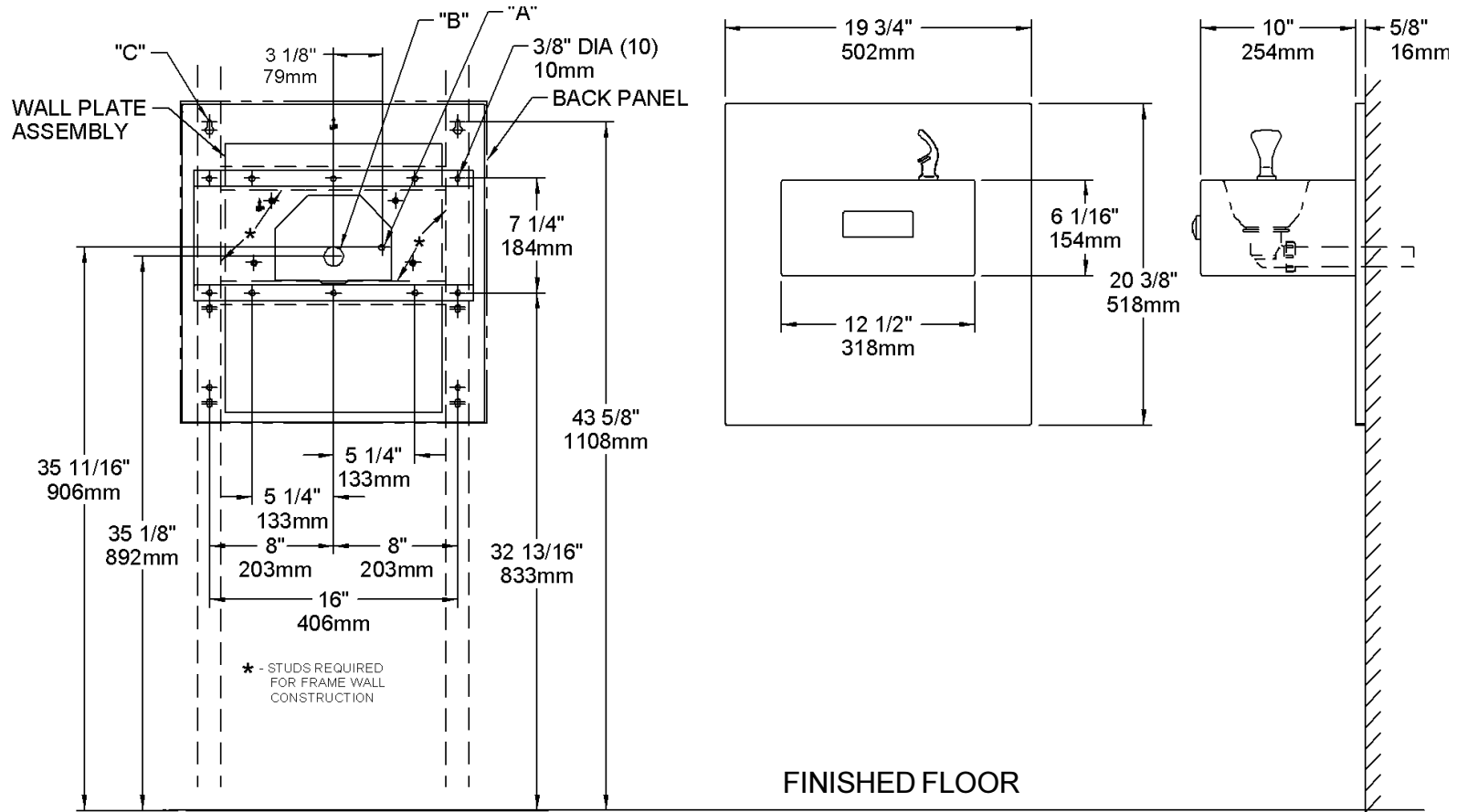


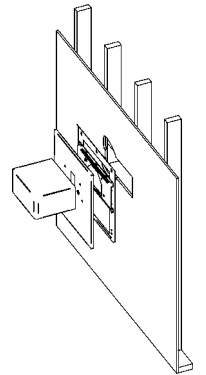
FIG. 4

LEGEND:

A = 3/8" O.D. UNPLATED COPPER TUBE CONNECT (WATER SUPPLY)

B = 1-1/4" O.D. WASTE TUBE (ELBOW AND TRAP NOT PROVIDED)

C = 1/4" DIA. (6mm) HOLES FOR MOUNTING PLATE TO WALL



HT - SEBP

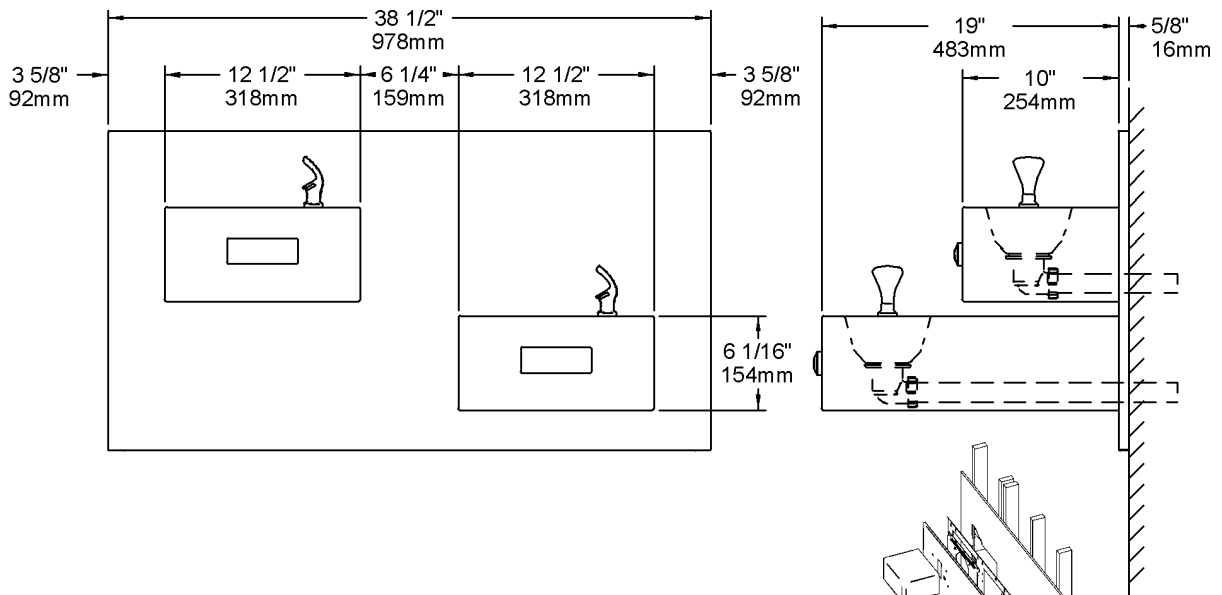
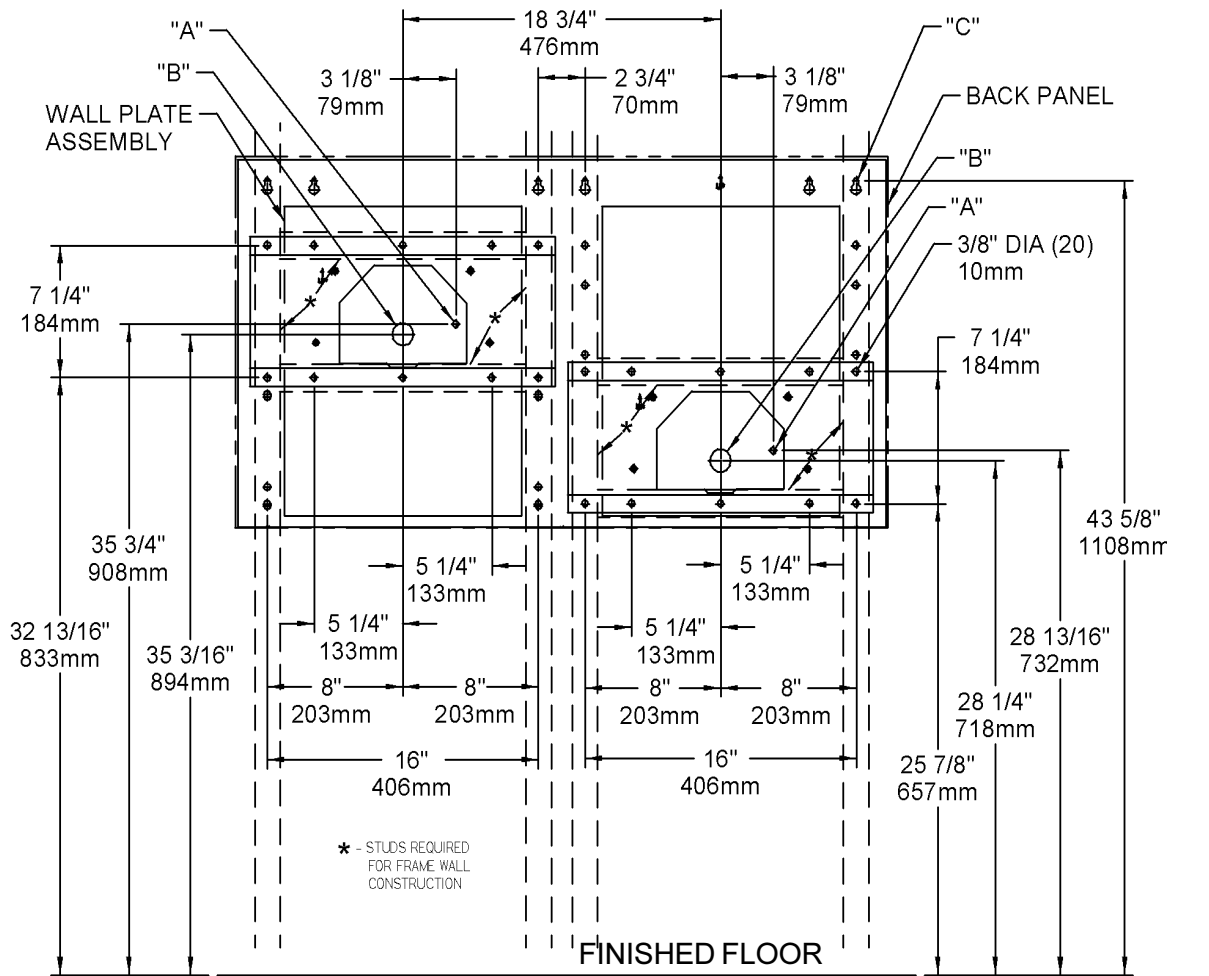
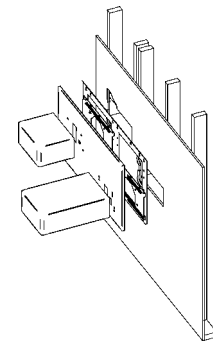


FIG. 5

LEGEND:

- A = 3/8" O.D. UNPLATED COPPER TUBE CONNECT (WATER SUPPLY)**
- B = 1-1/4" O.D. WASTE TUBE (ELBOW AND TRAP NOT PROVIDED)**
- C = 1/4" DIA. (6mm) HOLES FOR MOUNTING PLATE TO WALL**



HT - ESBP

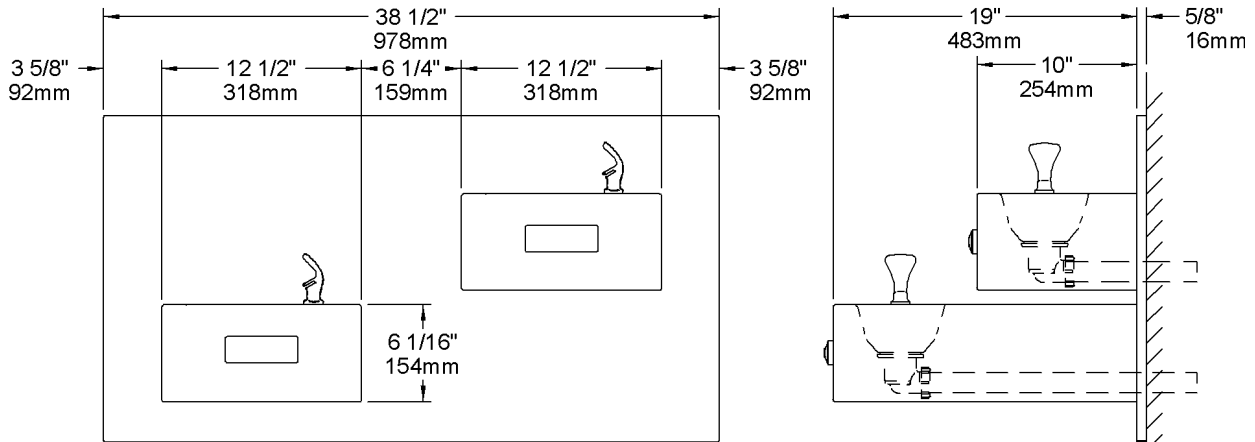
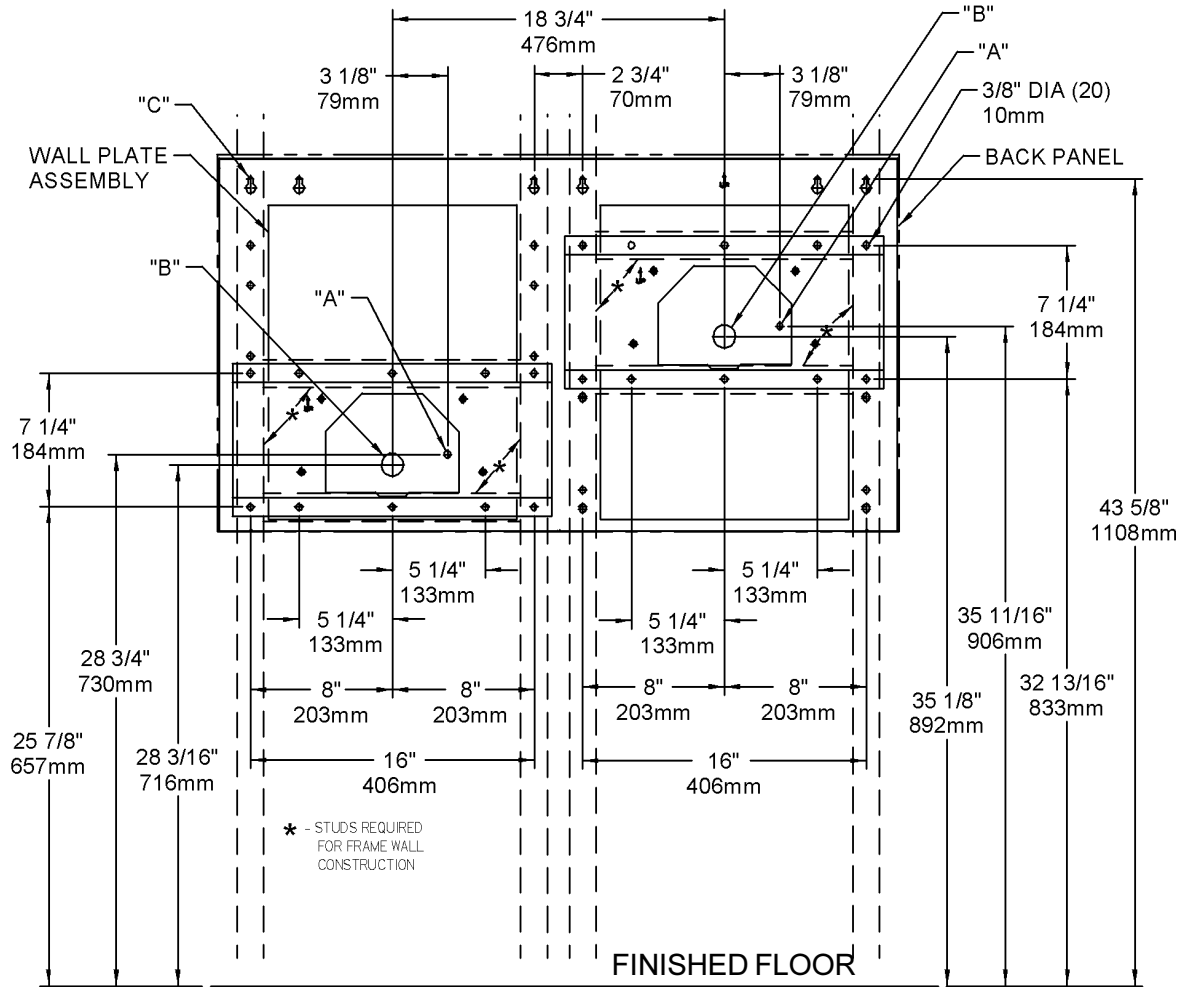


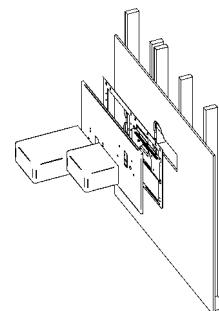
FIG. 6

LEGEND:

A = 3/8" O.D. UNPLATED COPPER TUBE CONNECT (WATER SUPPLY)

B = 1-1/4" O.D. WASTE TUBE (ELBOW AND TRAP NOT PROVIDED)

C = 1/4" DIA. (6mm) HOLES FOR MOUNTING PLATE TO WALL



PUSH BAR MECHANISM

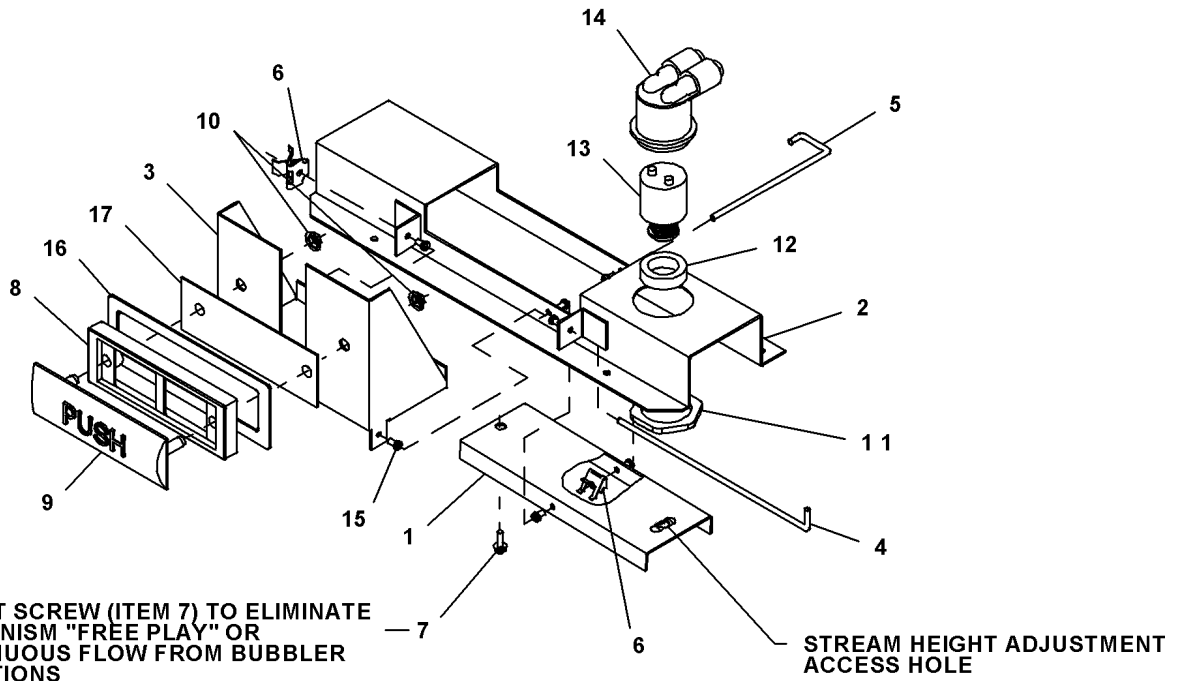


FIG. 7

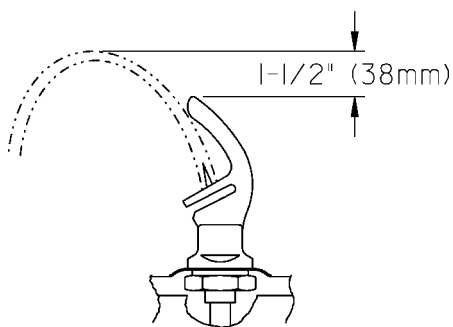


FIG. 8

ITEMIZED PARTS LIST

ITEMNO.	PARTNO.	DESCRIPTION
1	26901C	Push Lever Assy
2	26935C	Mounting Bracket Assy
3	27237C	Bracket - Pushbar
4	75517C	Lever Rod
5	70378C	Pushbar Rod
6	75555C	Spring Clip
7	70856C	Screw - #10-24 x .38 PHMS
8	55859C	Pushbar - Side & Front
9	101514331640	Pushbar Insert
10	111411743620	Nut - 1/4, Self Thread
11	40045C	Regulator Hex Nut
12	15005C	Regulator Retaining Nut
13	61313C	Regulator
14	50986C	Regulator Holder
15	50198C	Snap Bushing
16	55899C	Pad - Window Filler
17	27073C	Backing Plate

