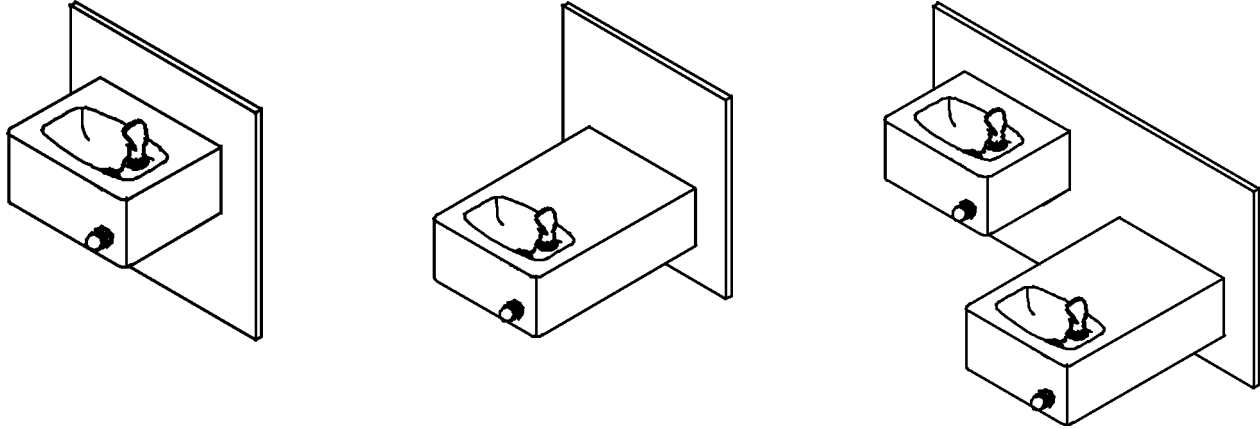


Halsey Taylor Owners Manual

Models: HT-SBP-FR HT-EBP-FR HT-SEBP-FR
Freeze Resistant Fountains



Installer

To assure you install this model easily and correctly, PLEASE READ THESE SIMPLE INSTRUCTIONS BEFORE STARTING THE INSTALLATION. CHECK YOUR INSTALLATION FOR COMPLIANCE WITH PLUMBING, ELECTRICAL AND OTHER APPLICABLE CODES. After installation, leave these instructions inside the fountain for future reference. This Freeze Resistant Fountain is shipped in two separate cartons. The second carton contains the Freeze Resistant Package that is installed on an interior heated wall. Refer to the Freeze Resistant Package for the rough-in dimensions for installation.

IMPORTANT

ALL SERVICE TO BE PERFORMED BY AN AUTHORIZED SERVICE PERSON

IMPORTANT! INSTALLER PLEASE NOTE.

THE GROUNDING OF ELECTRICAL EQUIPMENT SUCH AS TELEPHONE, COMPUTERS, ETC. TO WATER LINES IS A COMMON PROCEDURE. THIS GROUNDING MAY BE IN THE BUILDING OR MAY OCCUR AWAY FROM THE BUILDING. THIS GROUNDING CAN CAUSE ELECTRICAL FEEDBACK INTO A FOUNTAIN, CREATING AN ELECTROLYSIS WHICH CAUSES A METALLIC TASTE OR AN INCREASE IN THE METAL CONTENT OF THE WATER. THIS CONDITION IS AVOIDABLE BY USING THE PROPER MATERIALS AS INDICATED. ANY DRAIN FITTINGS PROVIDED BY THE INSTALLER SHOULD BE MADE OF PLASTIC TO ELECTRICALLY ISOLATE THE FOUNTAIN FROM THE BUILDING PLUMBING SYSTEM.

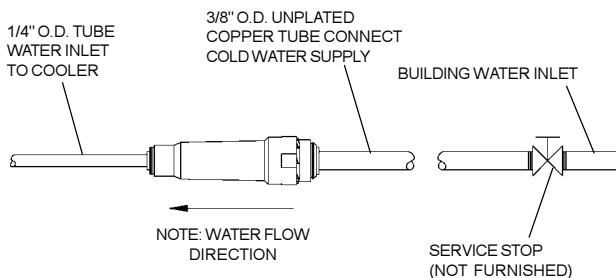
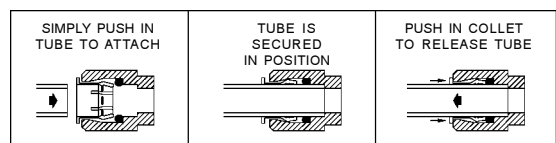


FIG. 1

OPERATION OF QUICK CONNECT FITTINGS

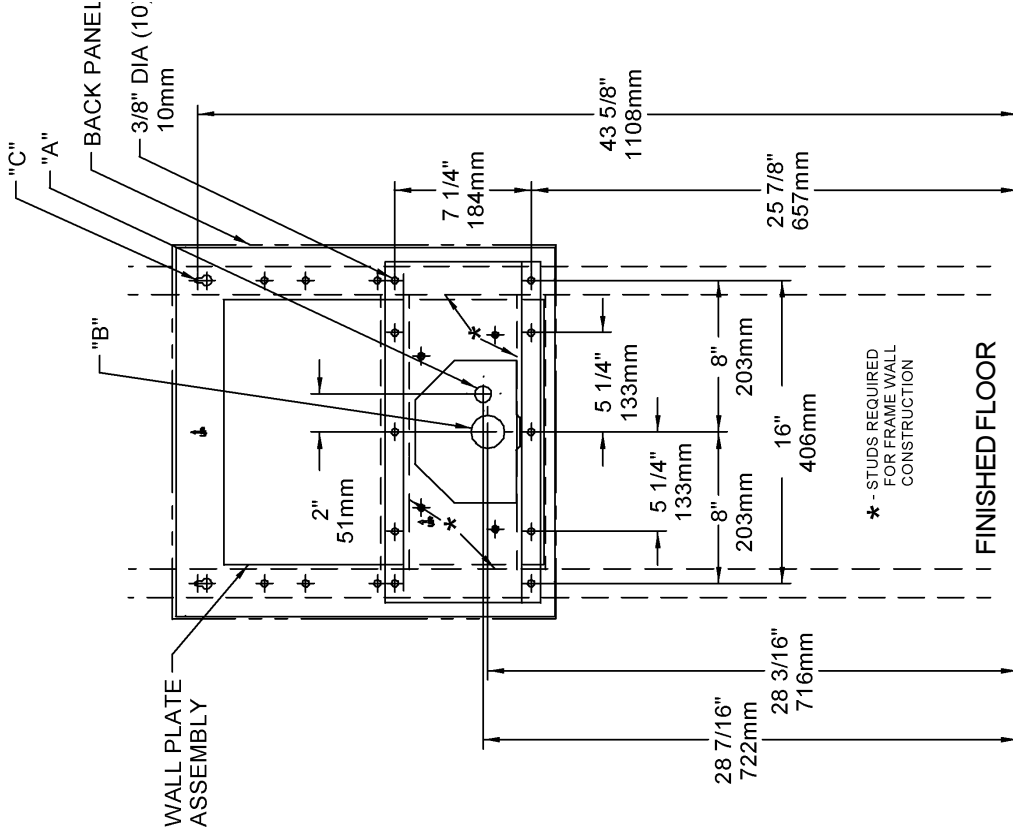


PUSHING TUBE IN BEFORE PULLING IT OUT HELPS TO RELEASE TUBE

FIG. 2

HT - EBP - FR ROUGH-IN

FIG. 3



LEGEND

A = 1 3/4" DIA. (44mm) HOLE FOR WASTE LINE

B = 7/8" DIA. (22mm) HOLE FOR WATER INLET

C = 1/4" DIA. (6mm) HOLES FOR MOUNTING PLATE TO WALL

1. Wall should already be framed for the fountain using dimensions shown in Fig. 3. Shown dimensions pertain to installation location. These dimensions are required for compliance with ANSI Standard A117.1. (and ADA) (Framing shown for reference only).
2. Remove bottom cover from fountain and save the screws. Assemble push rod to fountain. (Push rod provided with frost-resistant box)
3. Install the fountain using bolts and washers (provided). Tighten securely.
4. Attach drain tube to fountain and cut to required length using the frost resistant box as a guide.
5. Install frost-resistant box - see box instructions.
6. Install a service stop (not provided) and make water supply connection from the stop to the strainer in the frost-resistant box.
7. Connect fountain water line to frost-resistant box - see box instructions. Replace bottom cover.

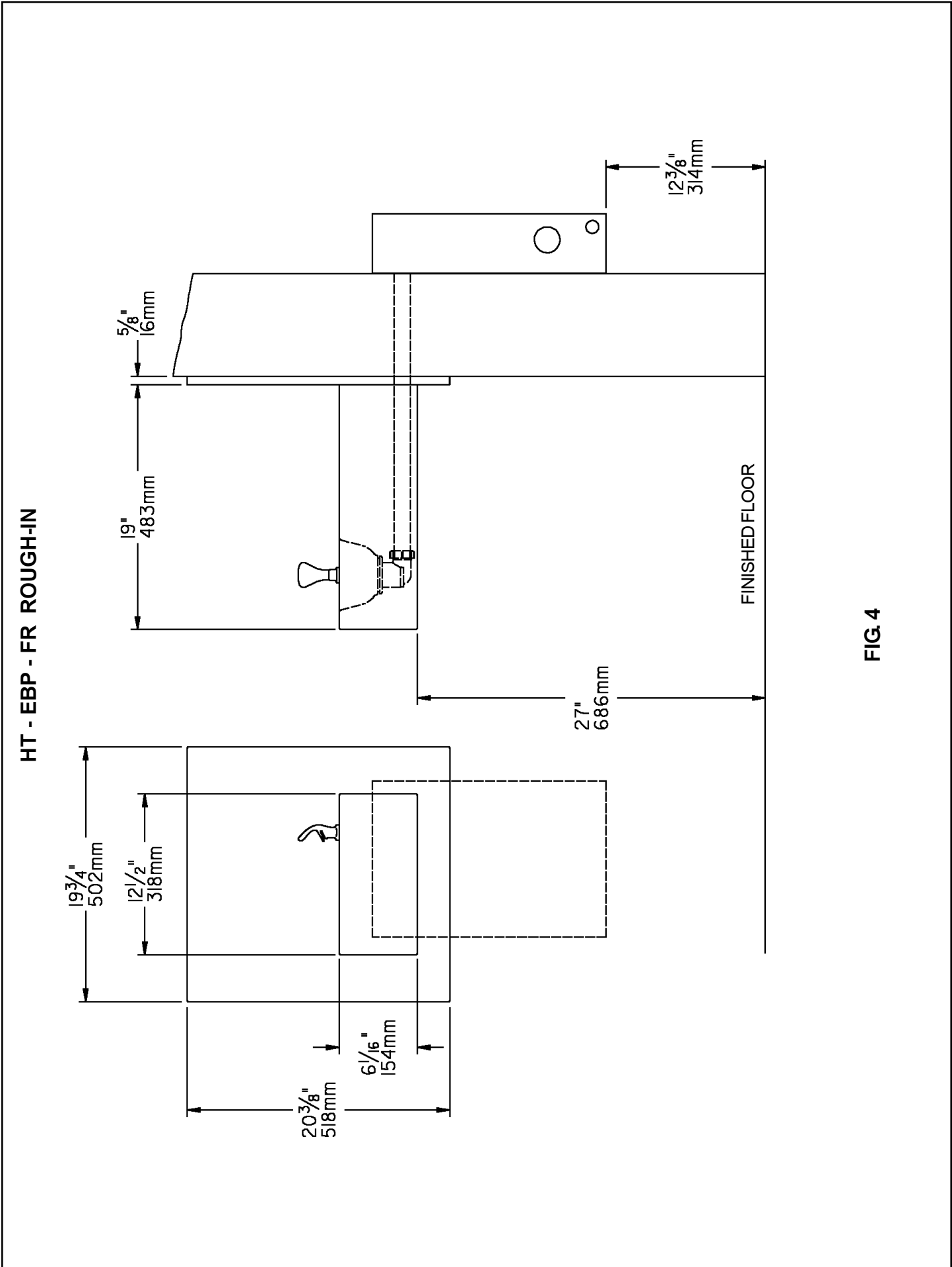
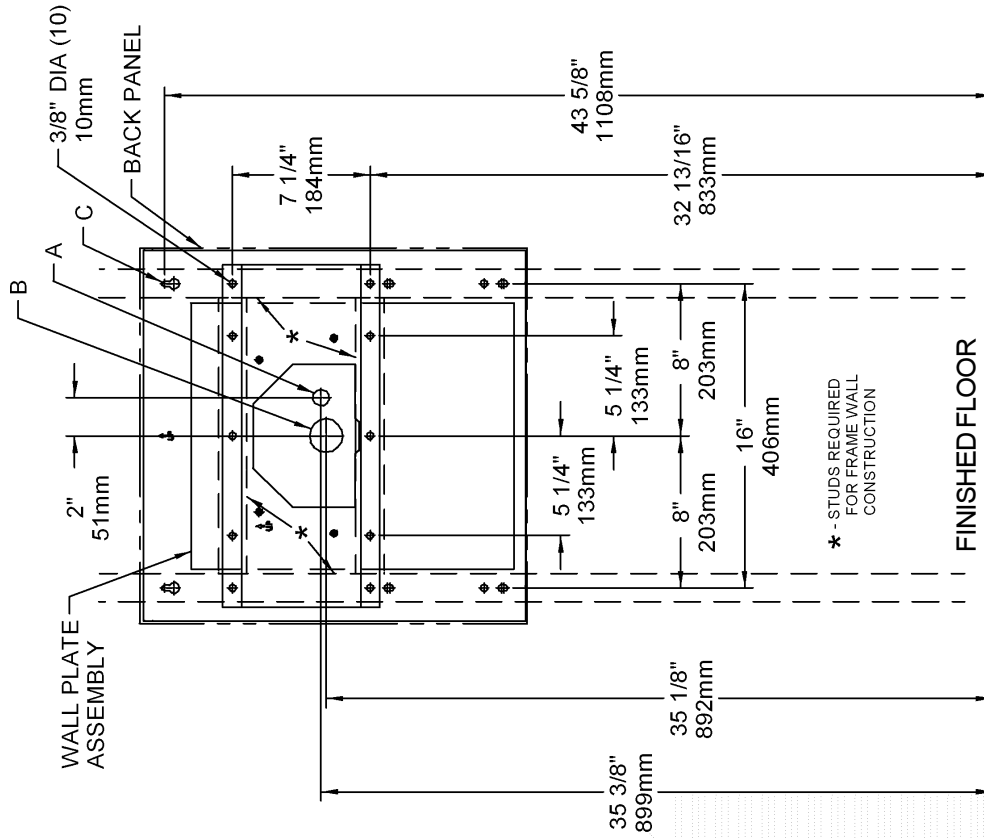


FIG. 4

HT - SBP - FR ROUGH-IN

FIG. 5



LEGEND

- A = 1 3/4" DIA. (44mm) HOLE FOR WASTE LINE
- B = 7/8" DIA. (22mm) HOLE FOR WATER INLET
- C = 1/4" DIA. (6mm) HOLES FOR MOUNTING PLATE TO WALL

1. Wall should already be framed for the fountain using dimensions shown in Fig. 5. Shown dimensions pertain to installation location. These dimensions are required for compliance with ANSI Standard A117.1. (and ADA) (Framing shown for reference only).
2. Remove bottom cover from fountain and save the screws. Assemble push rod to fountain. (Push rod provided with frost-resistant box)
3. Install the fountain using bolts and washers (provided). Tighten securely.
4. Attach drain tube to fountain and cut to required length using the frost resistant box as a guide.
5. Install frost-resistant box - see box instructions.
6. Install a service stop (not provided) and make water supply connection from the stop to the strainer in the frost-resistant box.
7. Connect fountain water line to frost-resistant box - see box instructions. Replace bottom cover.

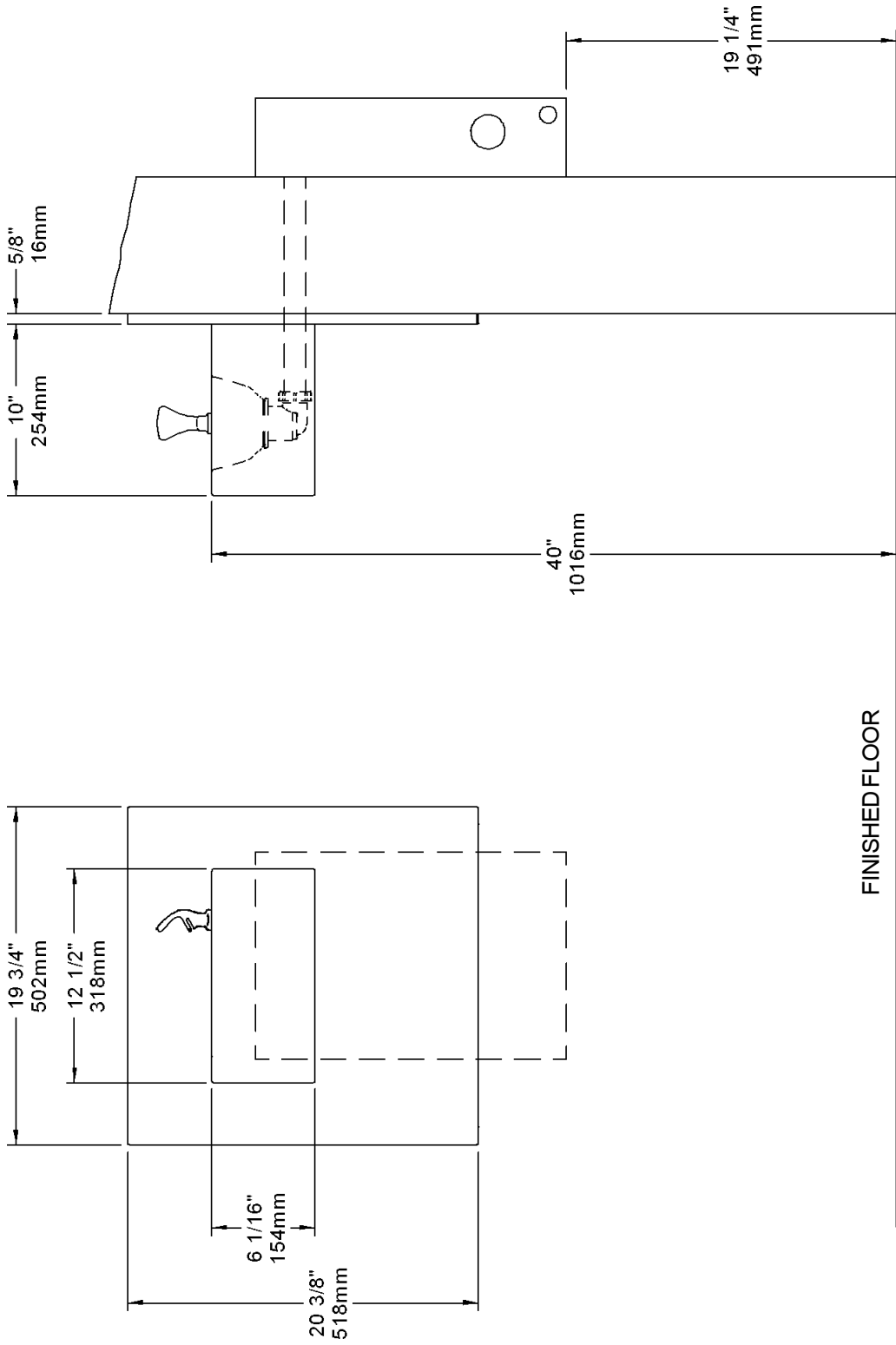
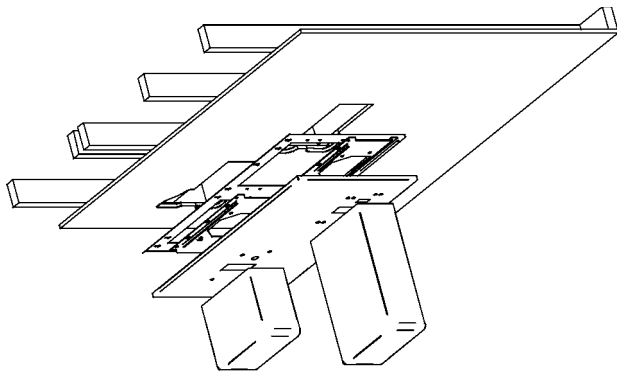
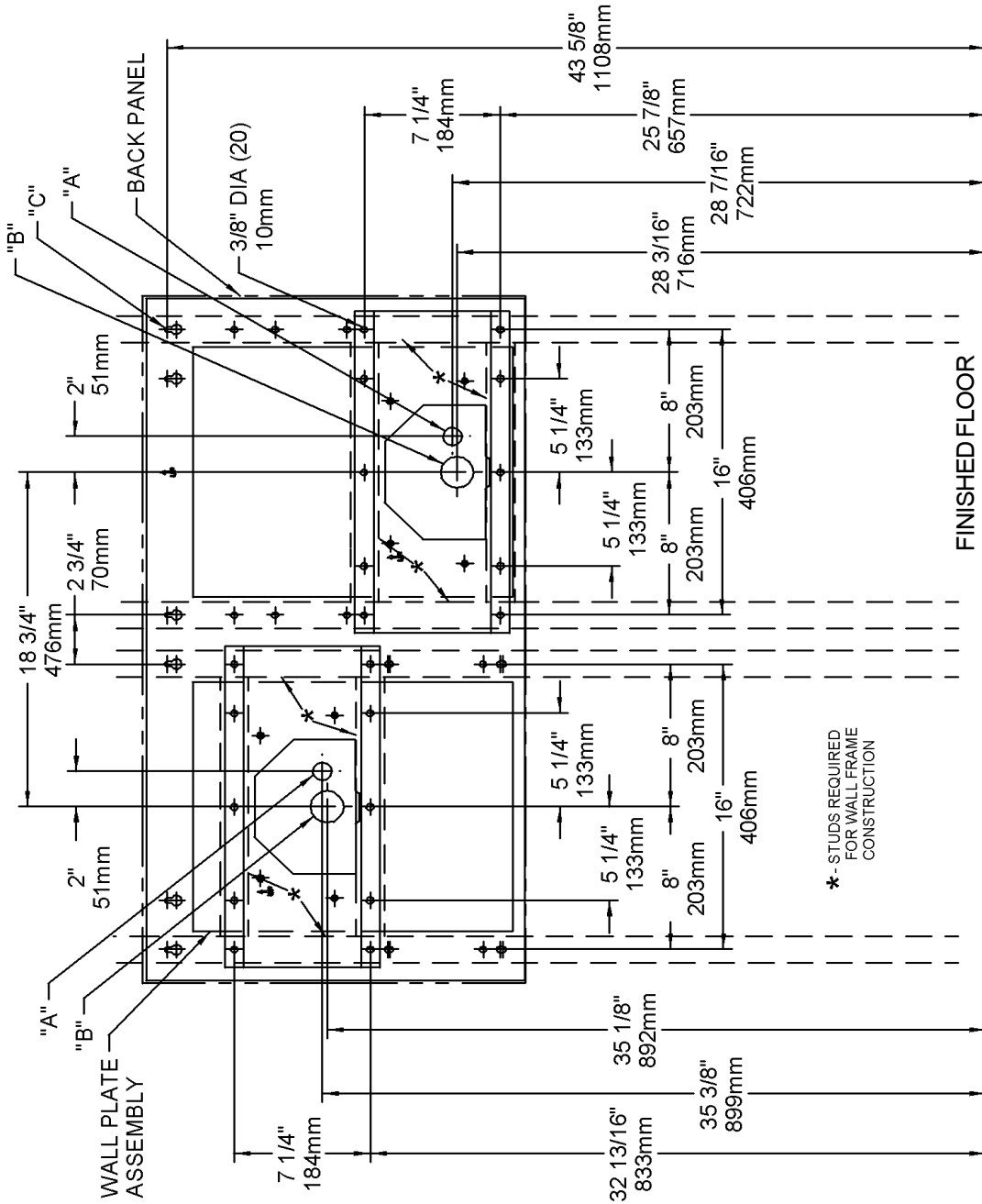


FIG 6

HT - SEBP - FR ROUGH-IN

FIG. 7



- LEGEND**
A = 1-3/4" DIA. (44mm) HOLE FOR WASTE LINE
B = 7/8" DIA. (22mm) HOLE FOR WATER INLET
C = 1/4" (6mm) HOLE FOR MOUNTING PLATE TO WALL

1. Wall should already be framed for the fountains using dimensions shown in Fig. 7. Shown dimensions pertain to installation location. These dimensions are required for compliance with ANSI Standard A117.1. (and ADA) (Framing shown for reference only).
2. Remove bottom covers from fountains and save the screws. Assemble push rods to fountains. (Push rods provided with frost-resistant boxes)
3. Install the fountains using bolts and washers (provided). Tighten securely.
4. Attach drain tubes to fountains and cut to required length using the frost resistant boxes as guides.
5. Install frost-resistant boxes - see box instructions.
6. Install a service stops (not provided) and make water supply connections from the stops to the strainers in the frost-resistant boxes.
7. Connect fountain water lines to frost-resistant boxes - see box instructions. Replace bottom covers.

HT - SEBP - FR ROUGH-IN

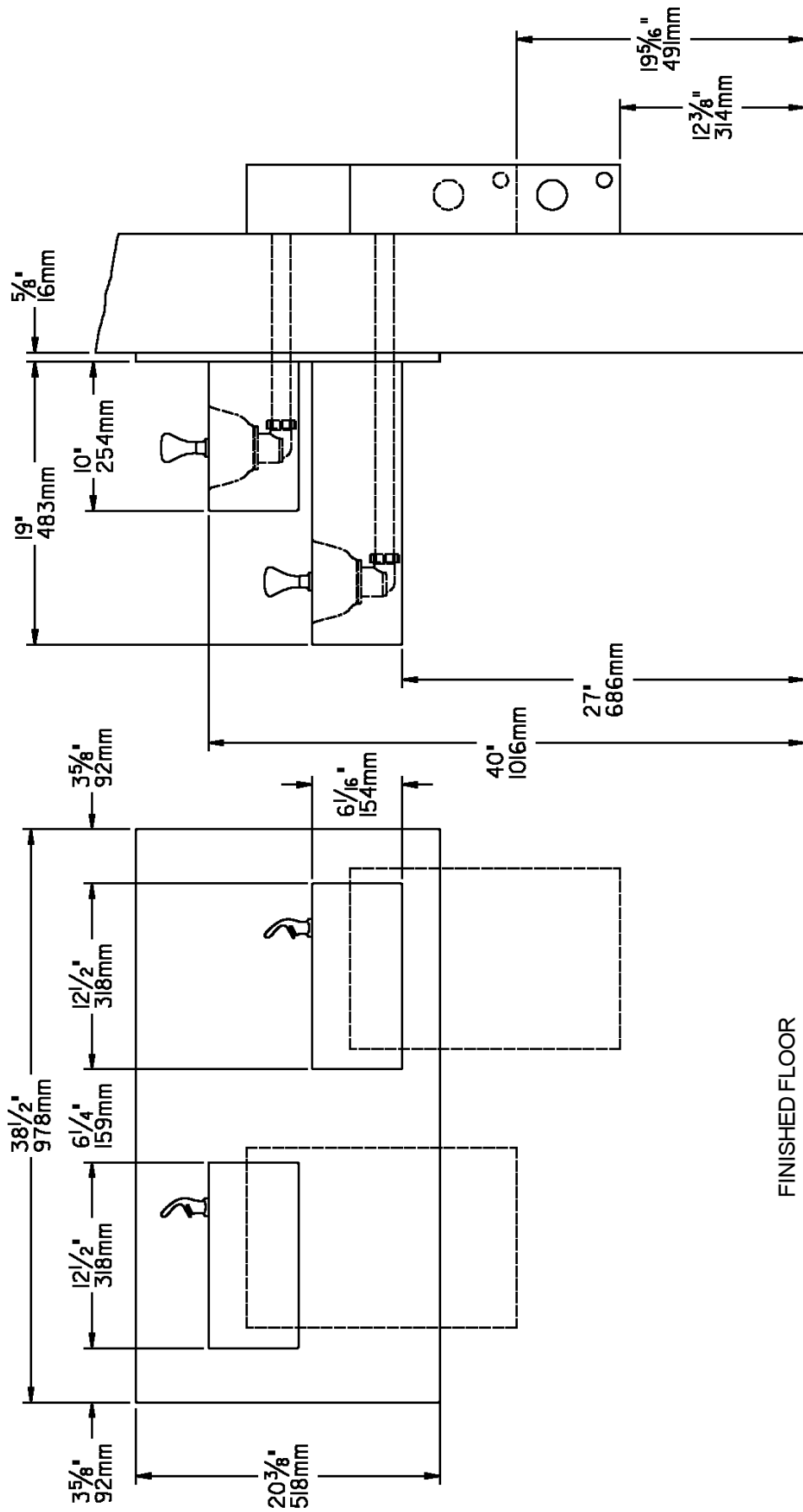
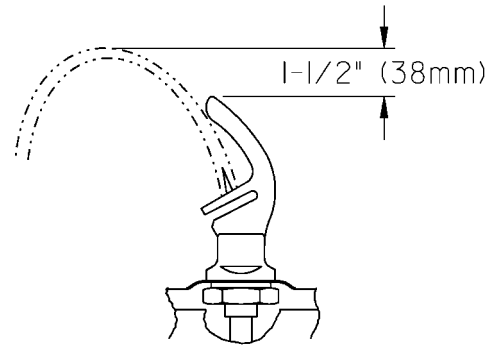


FIG 8

HT-SBP-FR, HT-EBP-FR, HT-SEBP-FR

PARTS LIST

ITEM NO.	PART NO.	DESCRIPTION
1	51546C	Bubbler
2	100322740560	Gasket - Bubbler
3	66354C	Tube Assy - Bubbler (Long Ftn)
	66355C	Tube Assy - Bubbler (Short Ftn)
4	160270508640	Strainer Plate
5	161637308650	Drain Plug
6	1001471140560	Gasket-Drain
7	66346C	Tube - Waste (Long Ftn)
	66343C	Tube - Waste (Short Ftn)
8	22913C	Basin (Long Ftn)
	22915C	Basin (Short Ftn)
9	23001C	Cover - Bottom (Long Ftn)
	23002C	Cover - Bottom (Short Ftn)
10	55864C	Bushing - Snap 1/2" I.D.
11	*55000458	Push Button Assy
12	*50003C	Bushing - Snap
13	*70054C	Nut - Speed
14	55884C	Elbow-Drain
15	75588C	Nut-Slip Joint
16	110711942550	Screw - #8-32 x 3/8 TH
17	75589C	Gasket
NS	28016C	Panel - Single
NS	23187C	Panel - Single
NS	28017C	Panel - Double
NS	28172C	Wall Plate Assembly - HT-EBP
NS	28158C	Wall Plate Assembly - HT-SBP
NS	28174C	Wall Plate Assembly - HT-SEBP
NS	75541C	Washer-Flat .339/.359ID Steel
NS	111577243890	Screw-Mach. 5/16-18 x 3/4



STREAM HEIGHT ADJUSTMENT:

Stream height is factory set at 35 PSI. If supply pressure varies greatly from this, adjust screw on regulator in freeze resistant box. Clockwise adjustment will raise stream and counter-clockwise adjustment will lower stream. For best adjustment, stream should hit basin approximately 6-1/2" from the bubbler.

Fig. 9

* PARTS SUPPLIED WITH FREEZE-RESISTANT BOX

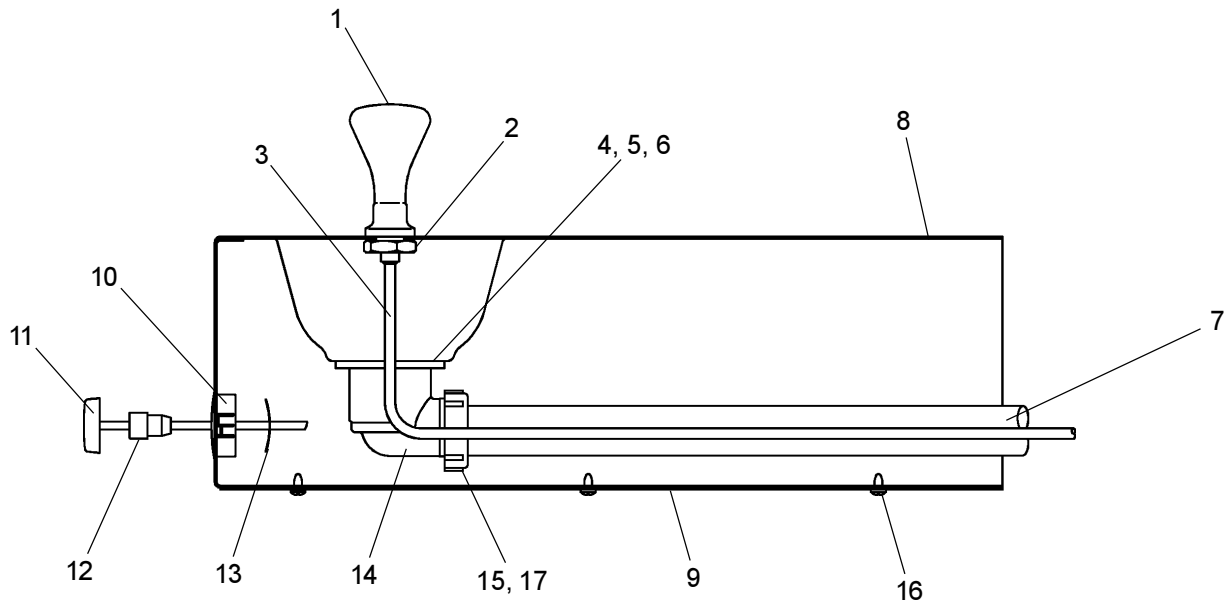


FIG. 10

Halsey Taylor
 2222 CAMDEN COURT
 OAK BROOK, IL 60521
 630.574.3500