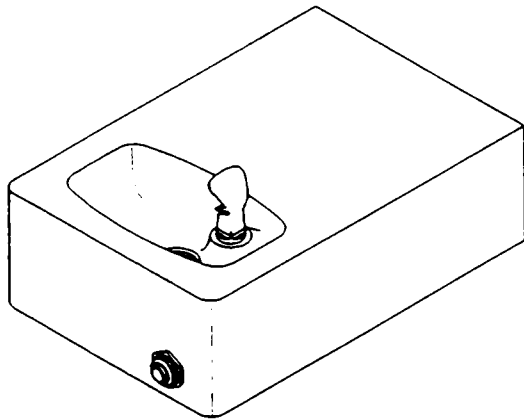
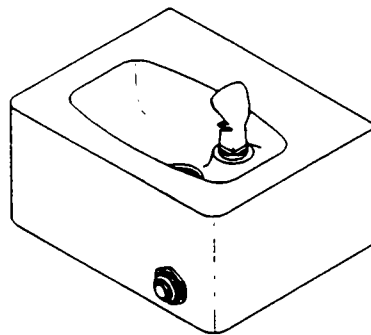


Halsey Taylor Owners Manual

Models: HT-E1 and HT-S1
Non-Refrigerated Fountains



HT-E1



HT-S1

Installation: HT-E1 and HT-S1	Page 2
Parts List: HT-E1 and HT-S1	Page 4
Care of Golden Bronzestone Models	Page 4

Installer

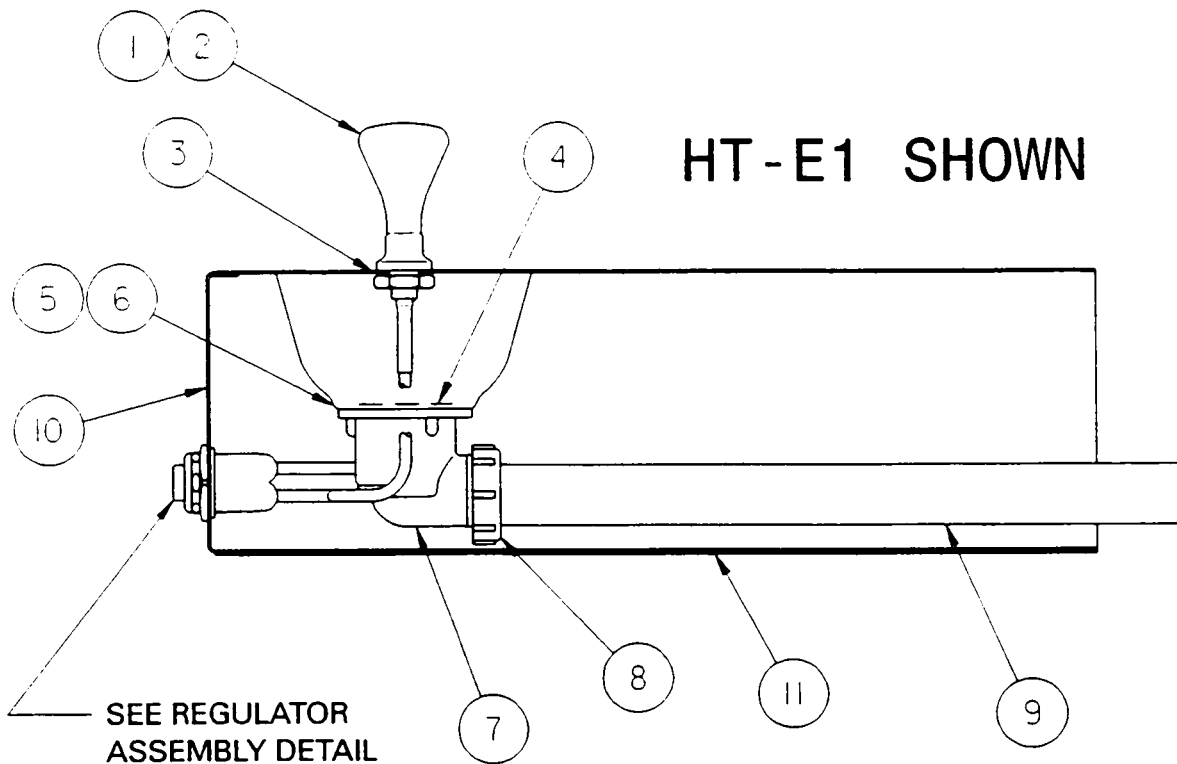
To assure you install this model easily and correctly,
**PLEASE READ THESE SIMPLE INSTRUCTIONS BEFORE STARTING THE
INSTALLATION. CHECK YOUR INSTALLATION FOR COMPLIANCE WITH
PLUMBING, ELECTRICAL AND OTHER APPLICABLE CODES.** After install-
ation, leave these instructions inside the cooler for future reference.

IMPORTANT

ALL SERVICE TO BE PERFORMED BY AN AUTHORIZED SERVICE PERSON

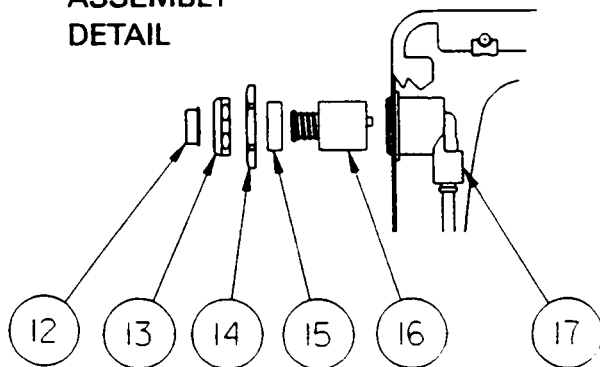
92719-C
(REV.B)

HT-E1 SHOWN



SEE REGULATOR
ASSEMBLY DETAIL

REGULATOR ASSEMBLY DETAIL



$\frac{3}{8}$ " O.D. TUBE CONNECT
COLD WATER SUPPLY

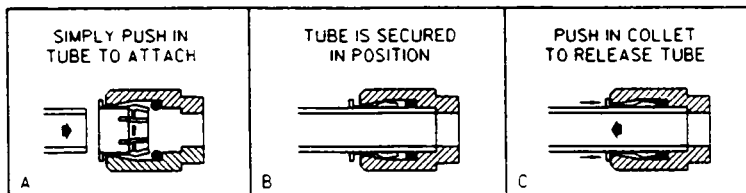
NOTE WATER FLOW
DIRECTION

BUILDING WATER
INLET

SERVICE STOP
(NOT FURNISHED)

STRAINER MUST BE IN
DOWNWARD POSITION

FIGURE 3



PUSHING TUBE IN BEFORE
PULLING IT OUT HELPS TO
RELEASE TUBE

ITEMIZED PARTS LIST

ITEM NO.	PART NO.	DESCRIPTION
1	101422831920	Bubbler - Chrome
	101422831450	Bubbler - Golden Bronzestone
2	10080C	Nipple - Bubbler
3	100322740560	Gasket - Bubbler (2 Req'd)
4	160270508640	Strainer Plate - Chrome
	410270508450	Strainer Plate - Golden Bronzestone
5	161637308650	Drain Plug - Chrome
	411637308450	Drain Plug - Golden Bronzestone
6	100147140560	Gasket - Drain
7	55884C	Elbow - Drain
8	55885C	Nut - Slip Joint
9	66346C	Tube - Drain (HT-E1)
	66343C	Tube - Drain (HT-S1)
10	22913C	Basin - Stainless Steel (HT-E1)
	22914C	Basin - Golden Bronzestone (HT-E1)
	22915C	Basin - Stainless Steel (HT-S1)
	22916C	Basin - Golden Bronzestone (HT-S1)
11	23001C	Cover - Bottom (HT-E1)
	23002C	Cover - Bottom (HT-S1)
12	40048C	Button - Chrome
	40065C	Button - Golden Bronzestone
13	40089C	Cover Nut - Chrome
	40119C	Cover Nut - Golden Bronzestone
14	40169C	Hex Nut - Chrome
	40170C	Hex Nut - Golden Bronzestone
15	10031C	Retaining Nut
16	61313C	Regulator
17	50985C	Holder - Regulator
18	70788C	Y - Strainer (See Figure 3)

CAUTION

Cleaning of Golden Bronzestone Models requires special care. Outer surfaces must be cleaned with a mild detergent or mixture of vinegar and water only, rinsed and wiped dry. Abrasive and acidic cleaners may eventually damage the Golden Bronzestone finish.

Halsey Taylor®

P. O. BOX 9001
OAK BROOK, IL 60521
(708) 574 - 3500

PRINTED IN U. S. A.