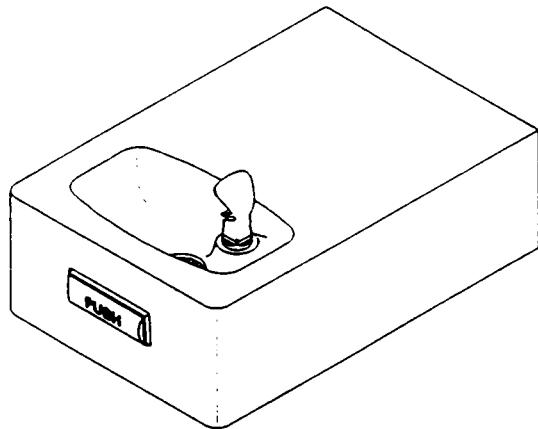
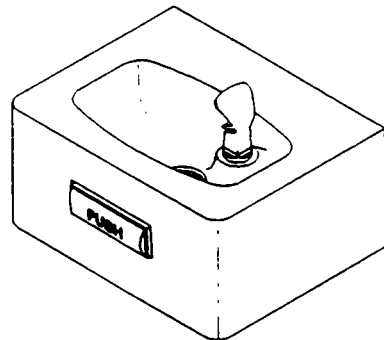


Halsey Taylor Owners Manual

Models: HT-E1 and HT-S1
Non-Refrigerated Fountains



HT-E1



HT-S1

Installer

To assure you install this model easily and correctly,
**PLEASE READ THESE SIMPLE INSTRUCTIONS BEFORE STARTING THE
INSTALLATION. CHECK YOUR INSTALLATION FOR COMPLIANCE WITH
PLUMBING, ELECTRICAL AND OTHER APPLICABLE CODES.** After install-
ation, leave these instructions inside the cooler for future reference.

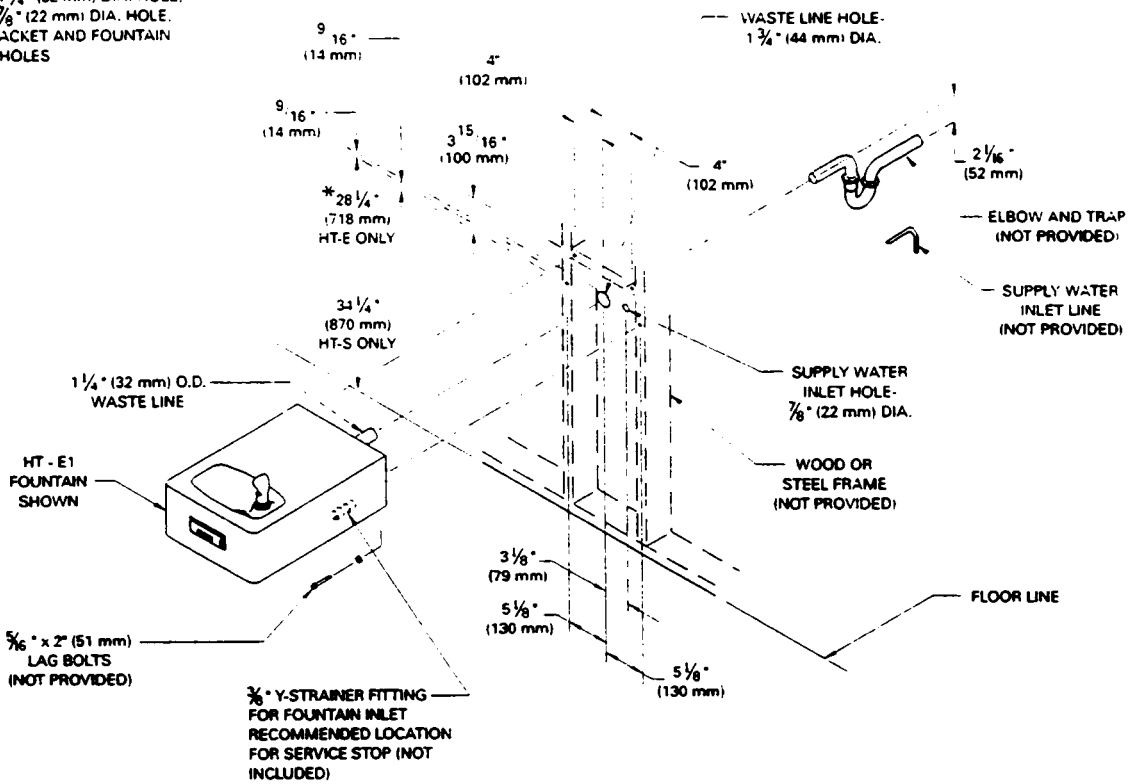
IMPORTANT

ALL SERVICE TO BE PERFORMED BY AN AUTHORIZED SERVICE PERSON

Installation: HT-E1 and HT-S1	Page 2
Parts List: HT-E1 and HT-S1	Page 4
Care of Golden Bronzestone Models	Page 4

DIMENSIONS SHOWN LOCATE WASTE LINE HOLE. 1 1/4" (32 mm) DIA. HOLE. INLET LINE 7/8" (22 mm) DIA. HOLE. HANGER BRACKET AND FOUNTAIN MOUNTING HOLES

HT-E1 BARRIER-FREE AND HT-S1 FACE MOUNTED FOUNTAIN



* 28 1/4" (718 mm) required to obtain a projector orifice height of 35 3/4" (908 mm) for wheelchair users.

OPERATING PRESSURE:

Supply water - 90 PSI Maximum

When installing this unit, LOCAL, STATE and FEDERAL CODES should be adhered to and dimensions adjusted accordingly.

FIG. 1

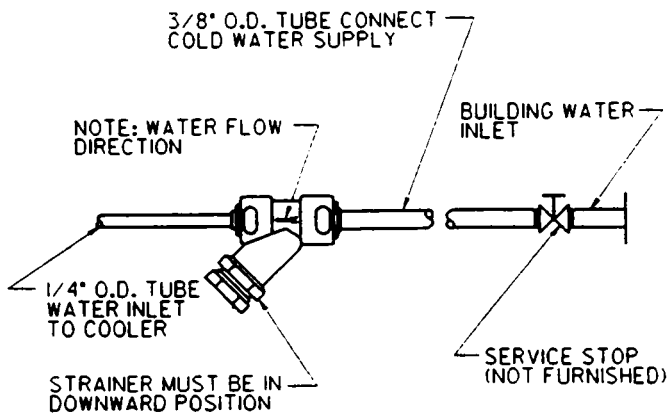
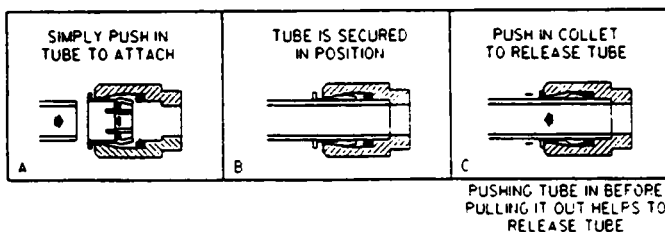


FIG. 2

OPERATION OF QUICK CONNECT FITTINGS



1. Wall should already be framed for the fountain using the positioning dimensions shown in Figure 1. Shown dimensions pertain to installation location (framing must support up to 150 lbs. weight). These dimensions are required for compliance with ANSI Standard A117.0 (Framing shown for reference only).

2. Install rough-in plumbing as shown in Figure 1. Waste line should extend a minimum of 2" (51 mm) through the back panel. Run supply water inlet line through back panel. Install a service stop (not provided). Turn on supply water and flush thoroughly.

3. Remove bottom access panel from fountain basin and save the screws. Install the fountain to the back panel and wall using four (4) 5/16" x 2" (51 mm) long lag bolts and washers (not provided) through holes in back panel. Tighten securely.

4. Cut waste tube to required length using plumbing hardware and trap (not provided) as a guide. Install hardware and trap. Tighten securely.

PUSH BAR MECHANISM

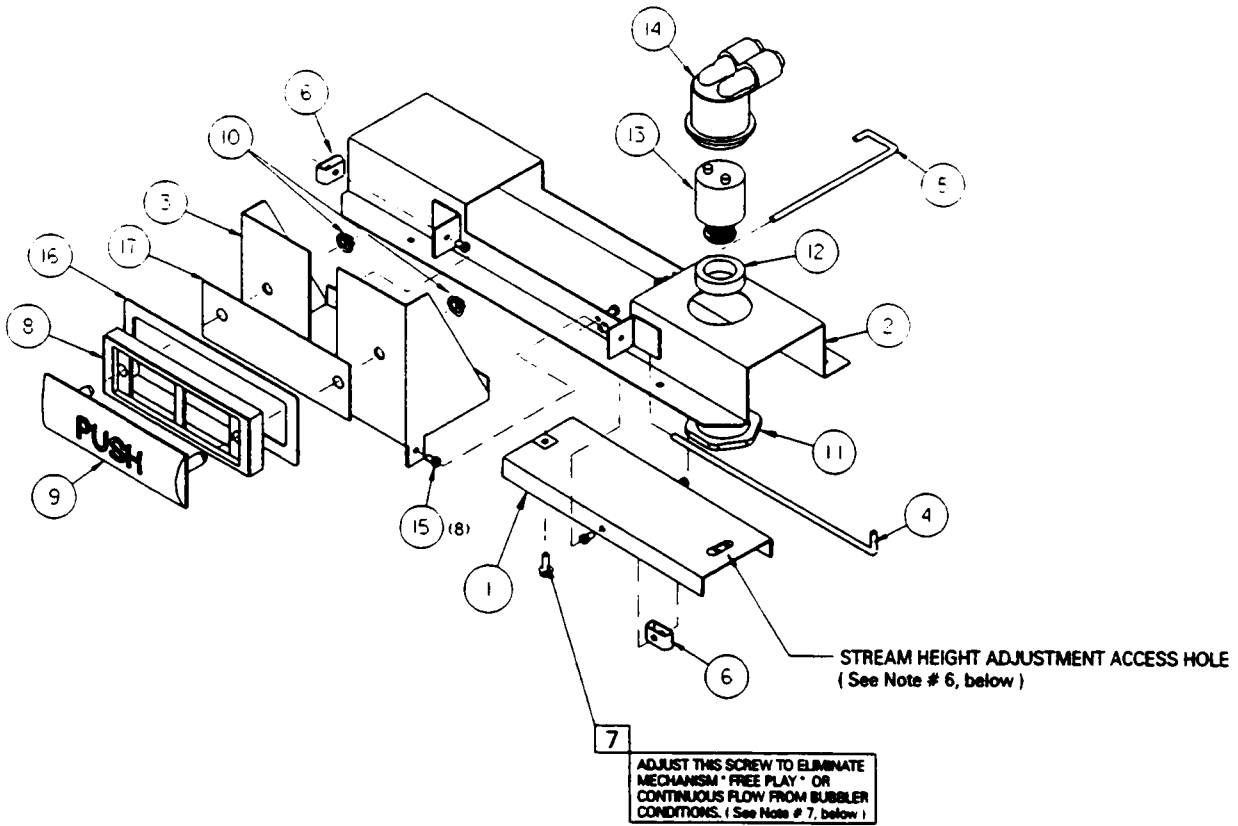


FIG. 4

5. Make water supply connections from service stop to the fountain Y-strainer (See figure 2). Turn on water supply and check for leaks. Newly installed water supply line should be insulated after leak check is completed.

6. Check stream height from bubbler. Stream height is factory set at 45 - 50 PSI. If supply pressure varies greatly from this, adjust screw on regulator (Item 13). Clockwise adjustment will raise stream height and CCW adjustment will lower stream height. For best adjustment stream height should be approximately 1 1/2" (38 mm) above the bubbler guard. (See Figure 4 and 5)

7. Water Valve Mechanism - ADJUSTMENT PROCEDURE:

- Turn adjustment screw (Item #7) "Counter-Clock-wise" until water flow from bubbler starts.
- Turn adjustment screw "Clockwise" until water flow stops, Then turn an additional 1/2 turn.

8. Replace bottom access panel to fountain basins using screws provided. Tighten securely.

ITEM NO.	PART NO.	DESCRIPTION
1	26936C	Lever - Pivot Assembly
2	26935C	Mounting Bracket Assy
3	27237C	Bracket - Pushbar
4	75517C	Rod - Lever
5	70378C	Rod - Pushbar
6	70283C	Spring Clip
7	70856C	Screw - #10-24 x .38 PHMS
8	55859C	Pushbar - Side & Front
9	101514331640	Insert - Push Bar
10	111411743620	Nut - 1/4, Self Thread
11	40045C	Hex Nut - Reg.
12	10031C	Retaining nut - Reg.
13	61313C	Regulator
14	50985C	Holder - Regulator
15	50198C	Bushing - Snap
16	55899C	Pad - Window Fill
17	27073C	Plate - Backing

CORRECT STREAM HEIGHT

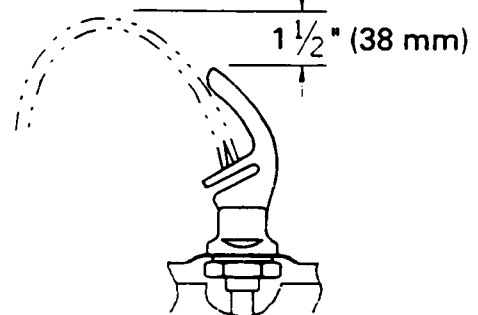
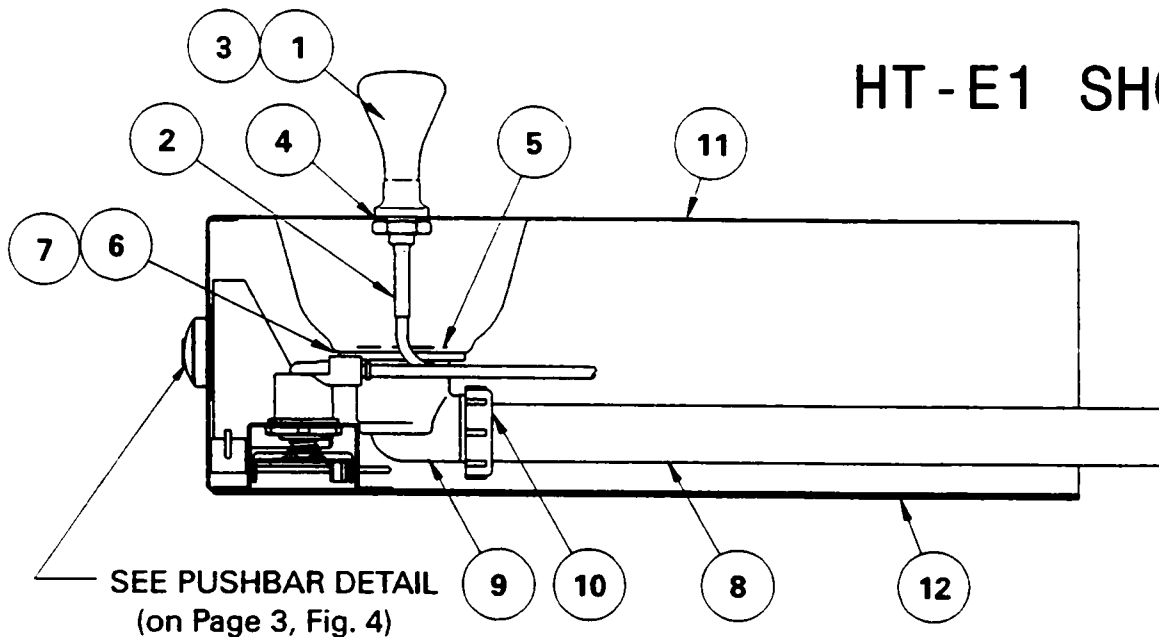


FIG. 5

ITEM NO.	PART NO.	DESCRIPTION
1	101422831920	Bubbler - Chrome
	101422831450	Bubbler - Golden Bronzestone
2	66318C	Tube Assy - Bubbler
3	10080C	Nipple - Bubbler (included with Item No. 2)
4	100322740560	Gasket - Bubbler (2 Req'd)
5	160270508640	Strainer Plate - Chrome
	410270508450	Strainer Plate - Golden Bronzestone
6	161637308640	Drain Plug - Chrome
	411637308450	Drain Plug - Golden Bronzestone
7	100147140560	Gasket - Drain
8	66346C	Tube - Drain (HT - E1)
	66343C	Tube - Drain (HT - S1)
9	55884C	Elbow - Drain
10	55885C	Nut - Slip Joint
11	26868C	Basin - Stainless Steel (HT - E1)
	26869C	Basin - Golden Bronzestone (HT - E1)
	26870C	Basin - Stainless Steel (HT - S1)
	26871C	Basin - Golden Bronzestone (HT -S1)
12	23001C	Cover - Bottom (HT - E1)
	23002C	Cover - Bottom (HT - S1)
NOT SHOWN	110711942550	Screw - Truss 8-32 x 3/8
NOT SHOWN	70055C	Nut - Speed
NOT SHOWN	70788C	Y - Strainer (See Fig. 2)



CAUTION

Cleaning of Golden Bronzestone Models requires special care. Outer surfaces must be cleaned with a mild detergent or mixture of vinegar and water only, rinsed and wiped dry. Abrasive and acidic cleaners may eventually damage the Golden Bronzestone finish.

Halsey Taylor

P. O. BOX 9001
OAK BROOK, IL 60521
(708) 574-3500

PRINTED IN U. S. A.

For parts, contact your local distributor or call 1-800-323-0620