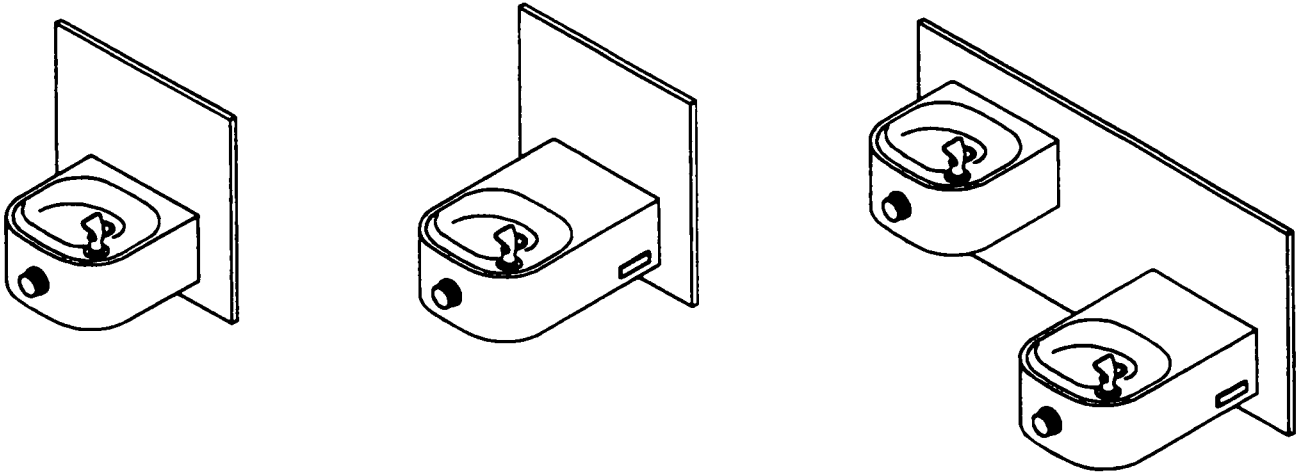


Halsey Taylor Owners Manual

Non-Refrigerated Fountains with or without Back Panel



Installer

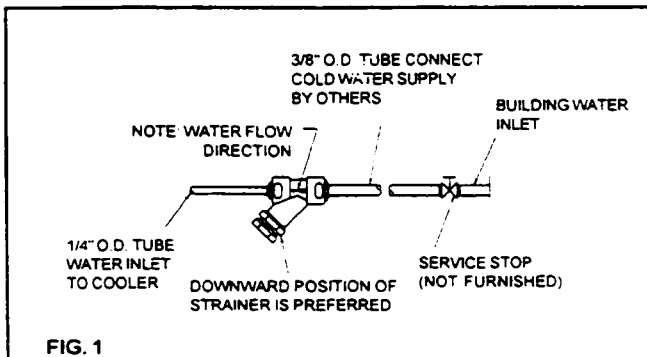
To assure you install this model easily and correctly, PLEASE READ THESE SIMPLE INSTRUCTIONS BEFORE STARTING THE INSTALLATION. CHECK YOUR INSTALLATION FOR COMPLIANCE WITH PLUMBING, ELECTRICAL AND OTHER APPLICABLE CODES. After installation, leave these instructions inside the fountain for future reference.

IMPORTANT

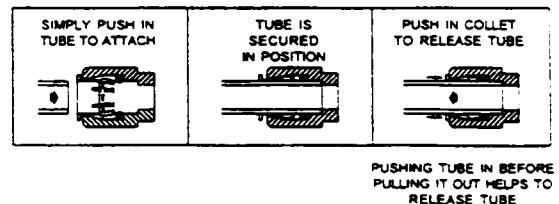
ALL SERVICE TO BE PERFORMED BY AN AUTHORIZED SERVICE PERSON

IMPORTANT! INSTALLER PLEASE NOTE.

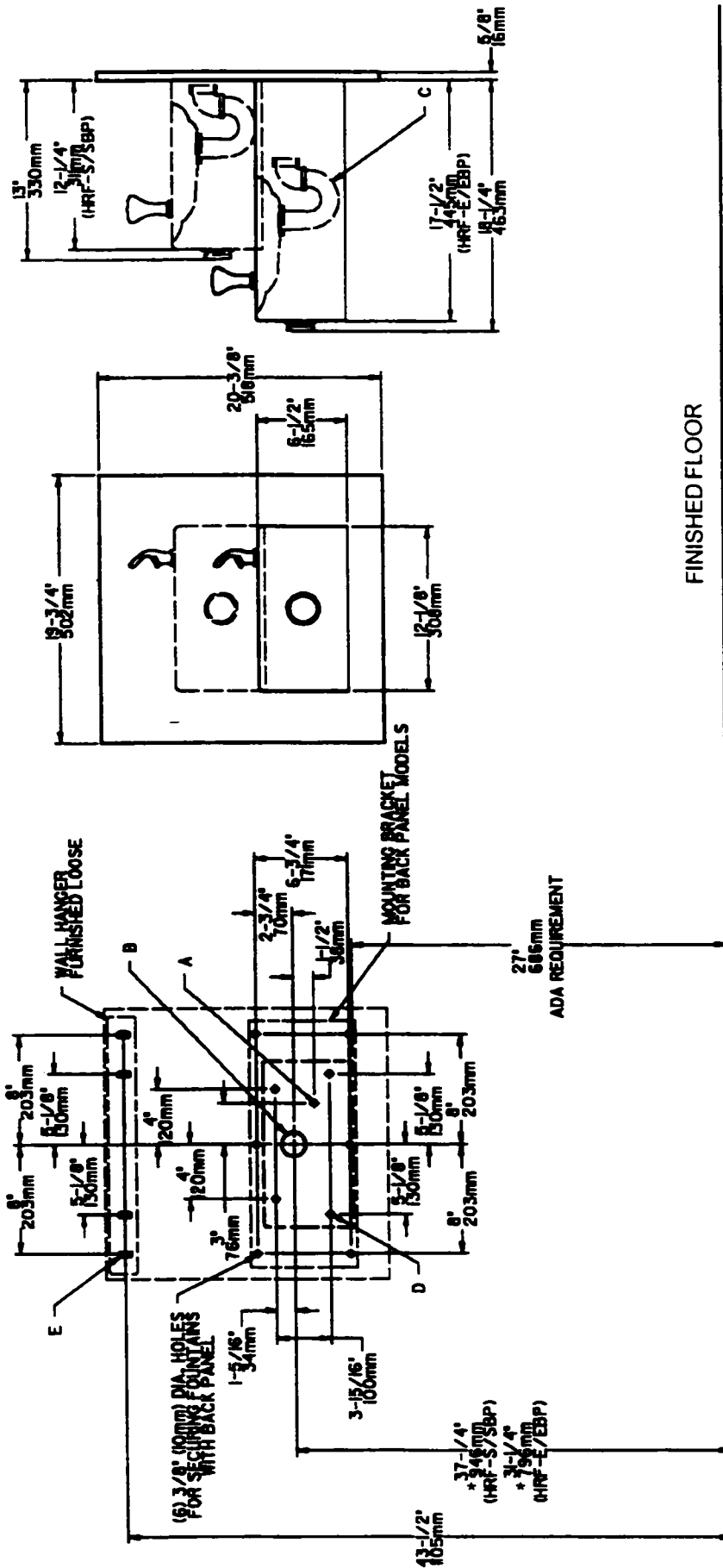
THE GROUNDING OF ELECTRICAL EQUIPMENT SUCH AS TELEPHONE, COMPUTERS, ETC. TO WATER LINES IS A COMMON PROCEDURE. THIS GROUNDING MAY BE IN THE BUILDING OR MAY OCCUR AWAY FROM THE BUILDING. THIS GROUNDING CAN CAUSE ELECTRICAL FEEDBACK INTO A FOUNTAIN, CREATING AN ELECTROLYSIS WHICH CAUSES A METALLIC TASTE OR AN INCREASE IN THE METAL CONTENT OF THE WATER. THIS CONDITION IS AVOIDABLE BY USING THE PROPER MATERIALS AS INDICATED. ANY DRAIN FITTINGS PROVIDED BY THE INSTALLER SHOULD BE MADE OF PLASTIC TO ELECTRICALLY ISOLATE THE FOUNTAIN FROM THE BUILDING PLUMBING SYSTEM.



OPERATION OF QUICK CONNECT FITTINGS



HRF - E / S / EBP / SBP ROUGH-IN



* HRF - E/EBP SHOWN
HRF - S/SBP MOUNTS 6 INCHES HIGHER

- LEGEND**
- A = RECOMMENDED WATER SUPPLY LOCATION 3/8" O.D. TUBE CONNECT STUBBED 1" (25mm) FROM WALL SHUT OFF BY OTHERS
 - B = RECOMMENDED LOCATION FOR WASTE OUTLET 1-1/4" O.D. DRAIN STUBBED 1-3/8" (35mm) FROM THE WALL
 - C = 1-1/4" TRAP FURNISHED
 - D = 3/8" (10mm) DIA. HOLES FOR SECURING FOUNTAIN TO WALL
 - E = 3/8" (10mm) DIA. HOLES FOR MOUNTING HANGER TO WALL

FIG. 3

HRF - SEBP ROUGH-IN

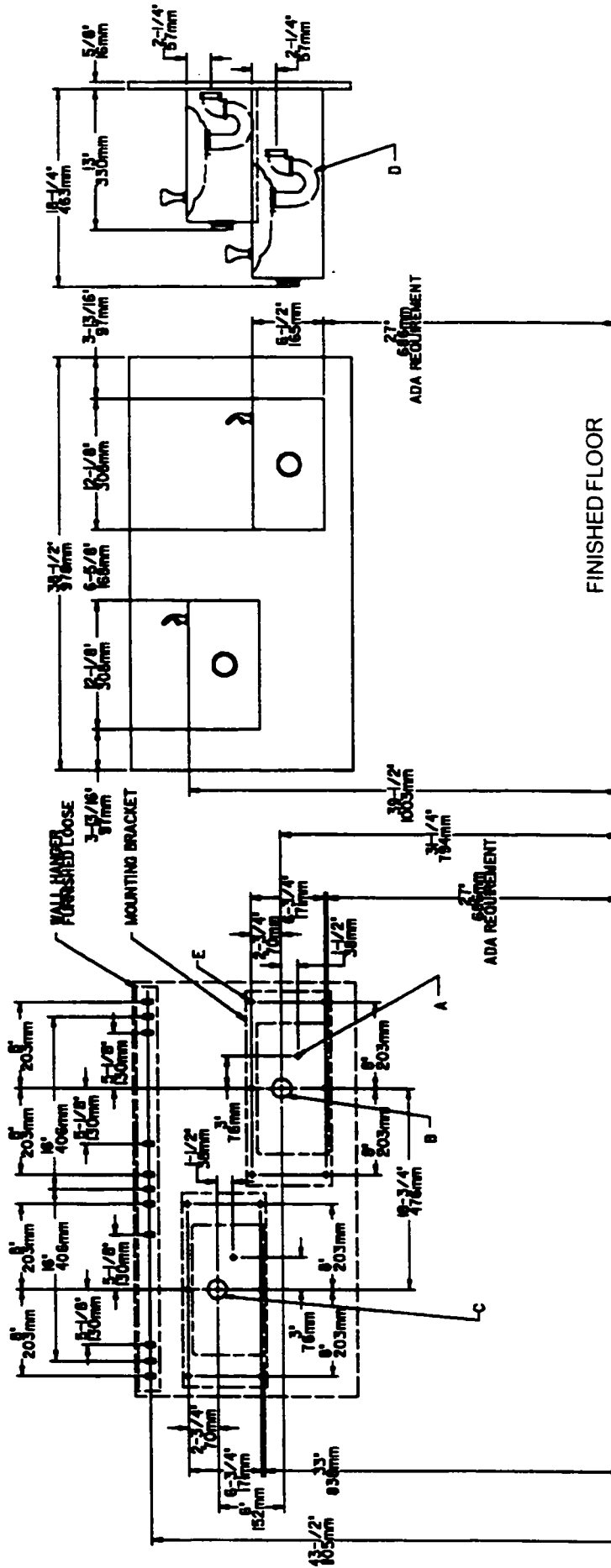


FIG. 4

LEGEND

- A = RECOMMENDED WATER SUPPLY LOCATION 3/8 O.D. TUBE CONNECT STUBBED 1" (25mm) FROM WALL SHUT OFF BY OTHERS
- B = RECOMMENDED LOCATION FOR WASTE OUTLET 1-1/4" O.D. DRAIN STUBBED 1-3/8" (35mm) FROM WALL
- C = RECOMMENDED LOCATION FOR WASTE OUTLET 1-1/4" O.D. DRAIN STUBBED 6-5/8" (168mm) FROM WALL

D = 1-1/4" TRAP FURNISHED

E = 3/8" (10mm) DIA. HOLES FOR SECURING FOUNTAIN TO WALL

F = 3/8" (10mm) DIA. SLOTS FOR MOUNTING HANGER TO WALL

PARTS LIST

ITEM NO.	PARTNO.	DESCRIPTION
1	LK464	Drain
	LK464B	Drain-Bronzetone
2	15005C	Retaining Nut
3	40038C	Strainer-Beehive
	40111C	Strainer-Beehive Bronzetone
4	40619C	Ferrule-Tailpipe
	40620C	Ferrule-Tailpipe Bronzetone
5	45962C	Push Button
	45966C	Push Button-Bronzetone
6	45963C	Push Button Sleeve
	45966C	Push Button Sleeve-Bronzetone
7	50986C	Regulator Holder
8	51544C	Bubbler Assy
	45397C	Bubbler Assy-Bronzetone
9	61313C	Regulator
10	70022C	Set screw #6-32 x .31"
11	70426C	Screw #8-32 x .25"
12	70786C	Y-Strainer
13	55001035	Fountain Arm-Short
	27046C	Fountain Arm-Short Bronzetone
	55001034	Fountain Arm-Long
	27047C	Fountain Arm-Long Bronzetone
14	55000851	Bottom Cover Plate-Short
	55000880	Bottom Cover Plate-Long
15	23189C	Back Panel HRF-EBP/SBP
	23190C	Back Panel HRF-EBP/SBP Bronzetone
	27043C	Back Panel HRF-SEBP
	27048C	Back Panel HRF-SEBP Bronzetone
16	40045C	Hex Nut
17	70059C	Speed Nut
18	27057C	Bracket-Regulator Mounting
19	27063C	Bracket-Mounting

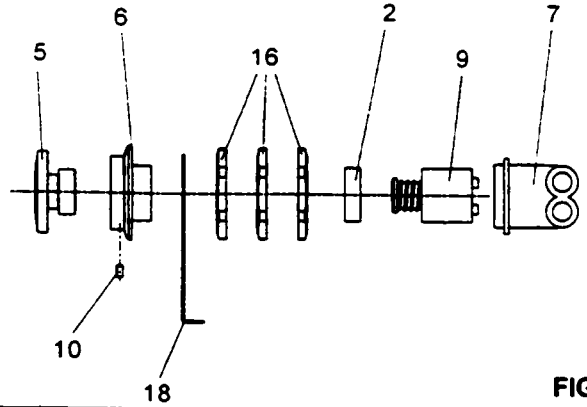


FIG. 6

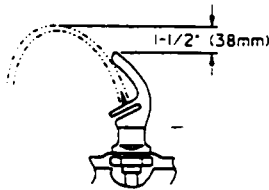


FIG. 5

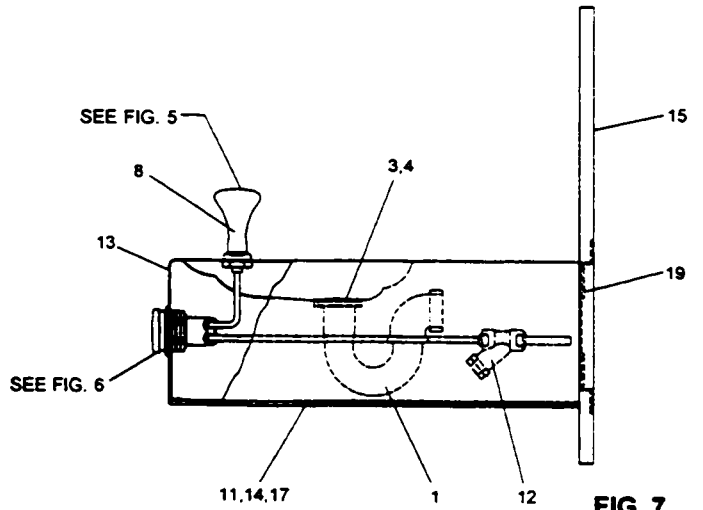


FIG. 7

INSTALLATION INSTRUCTIONS

1. Wall should already be framed for the fountain using the positioning dimensions shown in Fig. 3. Shown dimension pertain to installation location (framing must support up to 150 lbs. weight). These dimensions are required for compliance with ANSI Standard A117.0.
2. Install rough-in plumbing as shown in Fig. 3. Waste line should extend a minimum of 2" (51mm) thru the back panel. Run supply water inlet line thru back panel. Install a service stop (not provided). Turn on supply water and flush thoroughly.
3. Remove bottom access panel from fountain basin and save the screws. Install the fountain to the back panel and wall using (4) 5/16" x 2" lag bolts and washers (not provided) thru holes in back panel. Tighten securely.
4. Cut waste tube to required length using plumbing hardware and trap (not provided) as a guide. Install hardware and trap. Tighten securely.
5. Make water supply connections from service stop to the fountain Y-strainer (See Fig. 1). Turn on water supply and check for leaks. Newly installed water supply line should be insulated after leak check is completed.
6. These products are designed to operate on 20-105 PSIG supply line pressure. If inlet pressure is above 105 PSIG, a pressure regulator must be installed in the supply line. Any damage caused by reason of connecting these products to supply line pressure lower than 20 PSIG or higher than 105 PSIG is not covered by warranty.
7. Check stream height from bubbler. Stream height is factory set at 45-50 PSI. If supply pressure varies greatly from this, adjust screw on regulator (Item 9). Clockwise adjustment will raise stream height and counter-clockwise adjustment will lower stream height. For best adjustment stream height should be approximately 1-1/2" (38mm) above the bubbler guard. (See Fig. 5).
8. Replace bottom access panel to fountain basin using screws provided. Tighten securely.

TROUBLE SHOOTING & MAINTENANCE

Orifice Assy: Mineral deposits on orifice can cause water flow to spurt or not regulate. Mineral deposits may be removed from the orifice with a small round file not over 1/8" diameter or small diameter wire. **CAUTION: DO NOT file or cut orifice material!**

Stream Regulator: If orifice is clean, regulate flow as in "START UP" instructions above. If replacement is necessary, see parts list for correct regulator part number.

Actuation of Quick Connect Water Fittings: Cooler is provided with lead-free connectors which utilize an o-ring water seal. To remove tubing from the fitting, relieve water pressure, push in on the gray collar while pulling on the tubing. (see Fig. 2) To insert tubing, push tube straight into fitting until it reaches a positive stop, approximately 3/4".

CAUTION: Cleaning of Bronzetone Models requires special care. Outer surfaces must be cleaned with mild detergent or mixture of vinegar and water only, rinsed and wiped dry. Abrasive and acidic cleaners may eventually damage the Bronzetone finish.

Halsey Taylor

2222 CAMDEN COURT
OAK BROOK, IL 60523
630.574.3500

PRINTED IN U.S.A.

FOR PARTS, CONTACT YOUR LOCAL DISTRIBUTOR OR CALL 1.800.323.0620