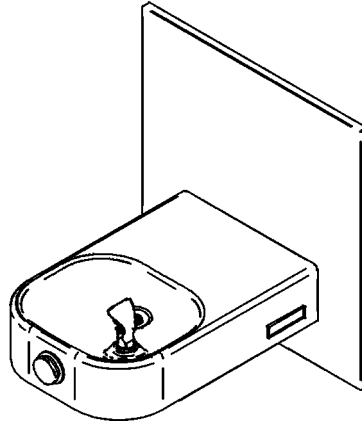


Halsey Taylor Owners Manual

Non-Refrigerated Fountain With Back Panel



HCRF- EBP

Installer

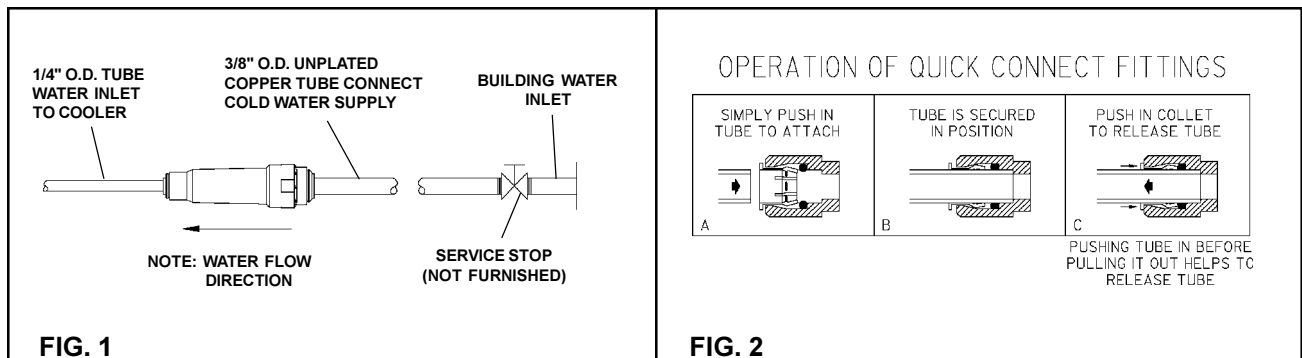
To assure you install this model easily and correctly, PLEASE READ THESE SIMPLE INSTRUCTIONS BEFORE STARTING THE INSTALLATION. CHECK YOUR INSTALLATION FOR COMPLIANCE WITH PLUMBING, ELECTRICAL AND OTHER APPLICABLE CODES. After installation, leave these instructions inside the fountain for future reference.

IMPORTANT

ALL SERVICE TO BE PERFORMED BY AN AUTHORIZED SERVICE PERSON

IMPORTANT! INSTALLER PLEASE NOTE.

THE GROUNDING OF ELECTRICAL EQUIPMENT SUCH AS TELEPHONE, COMPUTERS, ETC. TO WATER LINES IS A COMMON PROCEDURE. THIS GROUNDING MAY BE IN THE BUILDING OR MAY OCCUR AWAY FROM THE BUILDING. THIS GROUNDING CAN CAUSE ELECTRICAL FEEDBACK INTO A FOUNTAIN, CREATING AN ELECTROLYSIS WHICH CAUSES A METALLIC TASTE OR AN INCREASE IN THE METAL CONTENT OF THE WATER. THIS CONDITION IS AVOIDABLE BY USING THE PROPER MATERIALS AS INDICATED. ANY DRAIN FITTINGS PROVIDED BY THE INSTALLER SHOULD BE MADE OF PLASTIC TO ELECTRICALLY ISOLATE THE FOUNTAIN FROM THE BUILDING PLUMBING SYSTEM.



HCRF - EBP ROUGH-IN

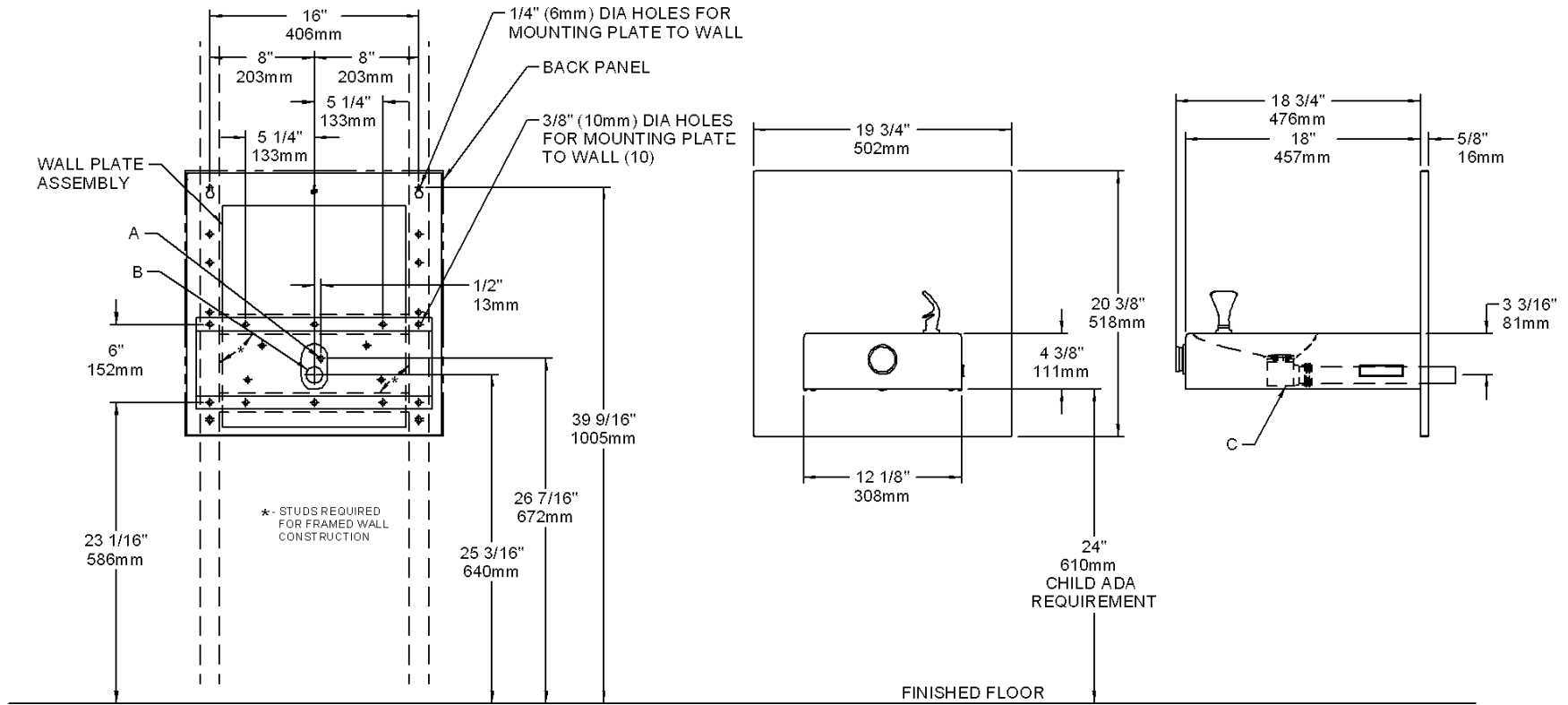


FIG. 3

LEGEND

- A = RECOMMENDED WATER SUPPLY LOCATION 3/8 O.D. UNPLATED COPPER TUBE CONNECT STUBBED 1-1/2" (38mm) FROM WALL SHUT OFF BY OTHERS
- B = RECOMMENDED LOCATION FOR WASTE OUTLET 1-1/4" O.D. DRAIN
- C = 1-1/4" DRAIN FURNISHED

HCRF - EBP INSTALLATION INSTRUCTIONS

1. **Wall should already be framed for the fountain** using the positioning dimensions shown in Figure 3. Shown dimensions pertain to installation location (framing must support up to 300 lbs. weight). These dimensions are required for compliance with ANSI Standard A117.0.
2. **Attach wall plate assembly to wall** as shown in Figure 3 using 5/16" x 2" long bolts and flat washers (not provided). Tighten securely. (Fastener must match wall type, i.e. lag screws for wood studs, bolts and anchors for masonry construction.)
3. **Install back panel.** Place the upper edge of the panel above hanger on the wall. Slide panel down until it engages the hanger. Be sure back panel is firmly engaged before releasing it.
4. **Install rough-in plumbing** as shown in Figure 3. Waste line should extend a minimum of 2" (51mm) thru the back panel. Run supply water inlet line thru back panel. Install a service stop (not provided). Turn on supply water and flush thoroughly.
5. **Remove bottom access panel** from fountain basin and save the screws. Install the fountain to the back panel using (4) 5/16" x 3/4" long screws and washers (provided) thru holes in back panel. Tighten securely.
6. **Cut waste tube** to required length using plumbing hardware and a trap (not provided) as a guide. Install hardware and trap. Tighten securely.
7. **Make water supply** connections from service stop to the 3/8" O.D. unplated copper tube coming out of the fountain strainer (See Fig. 1). Turn on water supply and check for leaks. Newly installed water supply line should be insulated after leak check is completed. **DO NOT SOLDER TUBES INSERTED INTO THE STRAINER AS DAMAGE TO THE O-RINGS MAY RESULT.**
8. **These products are designed** to operate on 20-105 PSIG supply line pressure. If inlet pressure is above 105 PSIG, a pressure regulator must be installed in the supply line. Any damage caused by reason of connecting these products to supply line pressure lower than 20 PSIG or higher than 105 PSIG is not covered by warranty.
9. **Check stream height from bubbler.** Stream height is factory set at 45-50 PSI. If supply pressure varies greatly from this, remove items 3 and 4 and adjust screw on regulator (Item 9). Clockwise adjustment will raise stream height and counter-clockwise adjustment will lower stream height. For best adjustment stream height should be approximately 1-1/2" (38mm) above the bubbler guard. (See Fig. 6)
10. **Replace bottom access** panel to fountain basin using screws provided. Tighten securely.

TROUBLE SHOOTING AND MAINTENANCE

1. **Orifice Assy:** Mineral deposits on orifice can cause water flow to spurt or not regulate. Mineral deposits may be removed from orifice with a small round file not over 1/8" diameter or a small diameter wire. **CAUTION: DO NOT** file or cut orifice materials.
2. **Stream Regulator:** If orifice is clean, regulate flow as in "START UP" instructions above. If replacement is necessary, see parts list for correct regulator part number.
3. **Actuation of Quick Connect Water Fittings:** Cooler is provided with lead-free connectors which utilize an o-ring water seal. To remove tubing from the fitting, relieve water pressure, push in on the gray collar while pulling on the tubing (See Figure 2). To insert tubing, push tube straight into the fitting until it reaches a positive stop, approximately 3/4".

PARTS LIST		
ITEM NO.	PART NO.	DESCRIPTION
1	40575C	Strainer
2	15005C	Retaining Nut
3	45662C	Push Button
4	45737C	Push Button Sleeve
5	50986C	Regulator Holder
6	51544C	Bubbler Assy
7	100322740560	Gasket
8	15008C	Bubbler - Nipple
9	61313C	Regulator
10	70022C	Set Screw #6-32 X .31"
11	112627543890	Screw - #10-24 X .50 PHTC
12	55996C	Strainer
13	55001130	Fountain Arm - Long
14	55000665	Bottom Cover Plate - Long
15	28290C	Back Panel
16	40045C	Hex Nut
17	28291C	Regulator Mounting Bracket
18	56092C	Poly Tubing (Cut To Length)
19	28286C	Mounting Plate Assy
20	45679C	Drain - Tailpipe
21	45805C	Drain - Adapter
22	50074C	Gasket - Tail Pipe
23	62095C	Tube - Water In
24	45736C	Nut-Regulator Mounting
25	75541C	Washer - Flat .339/.359ID Steel
26	111577243890	Screw - Mach. 5/16-18 x 3/4
27	70023C	Set Screw #6-32 X .12"
NS	75539C	Wrench-Allen

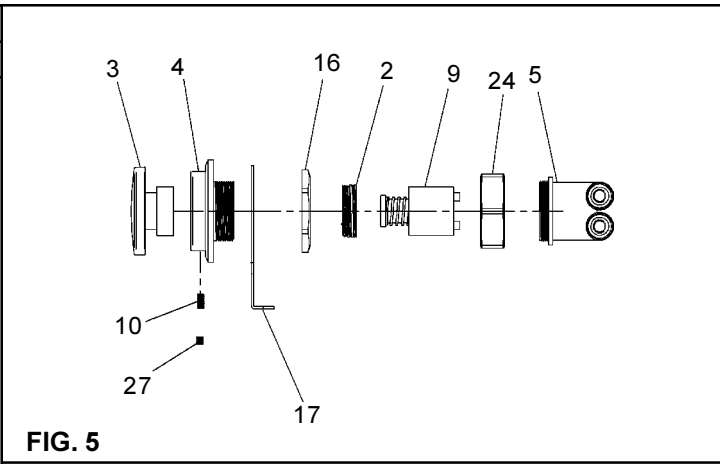


FIG. 5

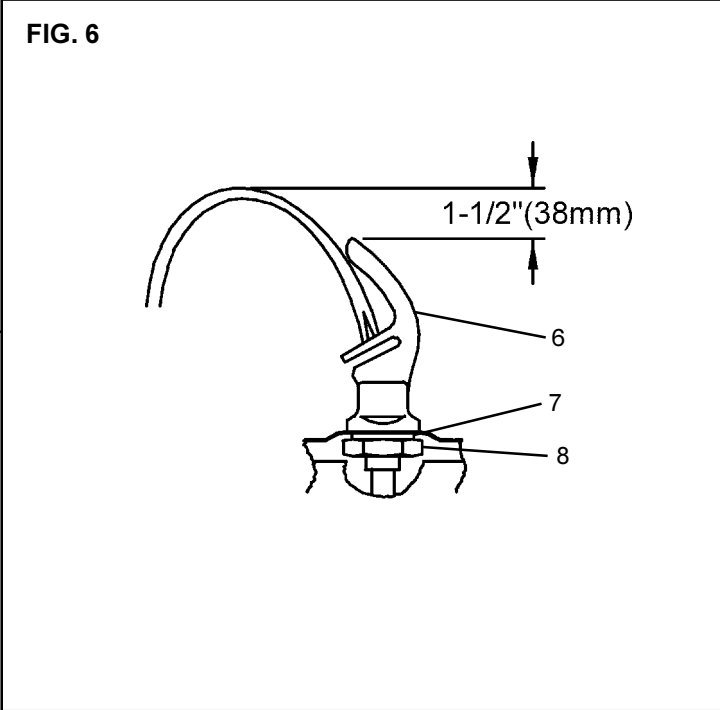


FIG. 6

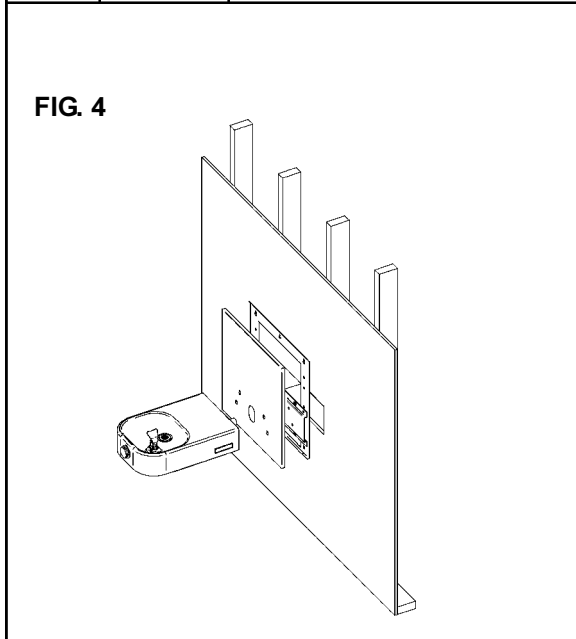


FIG. 4

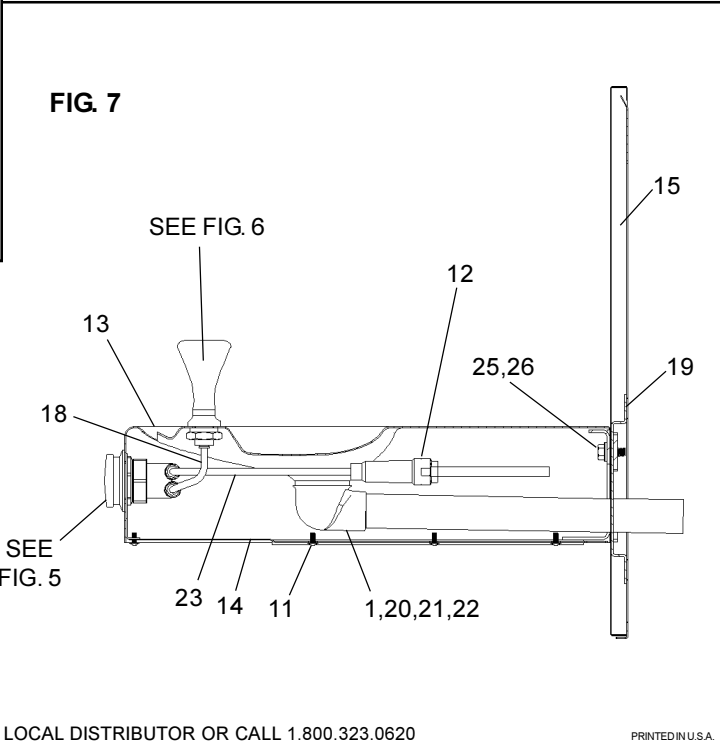


FIG. 7

Halsey Taylor
 2222 CAMDEN COURT
 OAK BROOK, IL 60523
 630.574.3500

FOR PARTS, CONTACT YOUR LOCAL DISTRIBUTOR OR CALL 1.800.323.0620

PRINTED IN U.S.A.