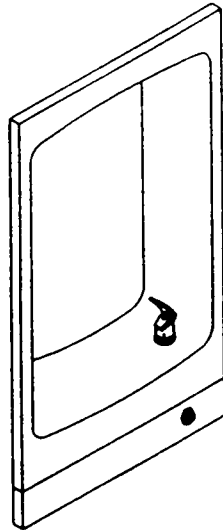


# Halsey Taylor Owners Manual

Model: BFM-LR

*Fully-Recessed Non-Refrigerated Fountain*



BFM-LR Wallframe & plumbing rough-ins . . . . .	Page 2 & 3
BFM-LR Fountain installation . . . . .	Page 4 & 5
Itemized parts list . . . . .	Page 6
Care of Golden Bronzestone Models . . . . .	Page 8

## Installer

To assure you install this model easily and correctly,  
**PLEASE READ THESE SIMPLE INSTRUCTIONS BEFORE STARTING THE  
INSTALLATION. CHECK YOUR INSTALLATION FOR COMPLIANCE WITH  
PLUMBING, ELECTRICAL AND OTHER APPLICABLE CODES.** After install-  
ation, leave these instructions inside the cooler for future reference.

### IMPORTANT

ALL SERVICE TO BE PERFORMED BY AN AUTHORIZED SERVICE PERSON

96717-C

# INSTALLATION INSTRUCTIONS

## BFM-LR MODEL WATER FOUNTAIN WALLFRAME INSTALLATION

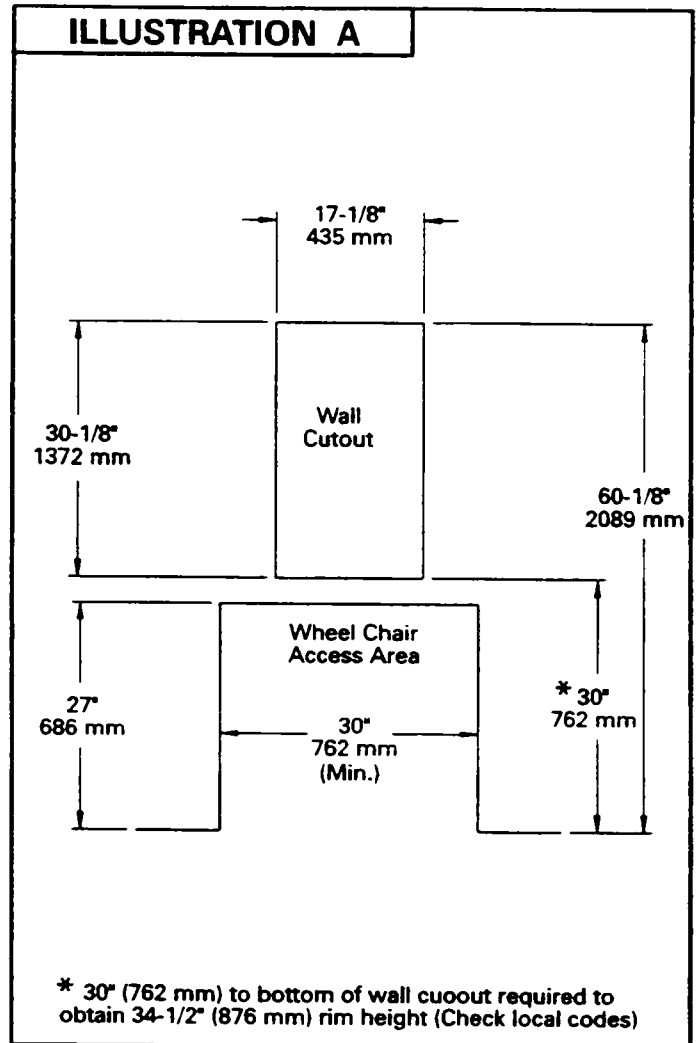
**BEFORE STARTING THE INSTALLATION, PLEASE CHECK YOUR INSTALLATION FOR COMPLIANCE WITH PLUMBING AND OTHER APPLICABLE CODES.**

At 30" above the finished floor, cut a rectangular wall opening 17-1/8" wide by 30-1/8" high. This is required to obtain a rim height of 34-1/2" and 36" bubbler spout height, which is in compliance with ANSI Standard A117.1 (See Illustration A)

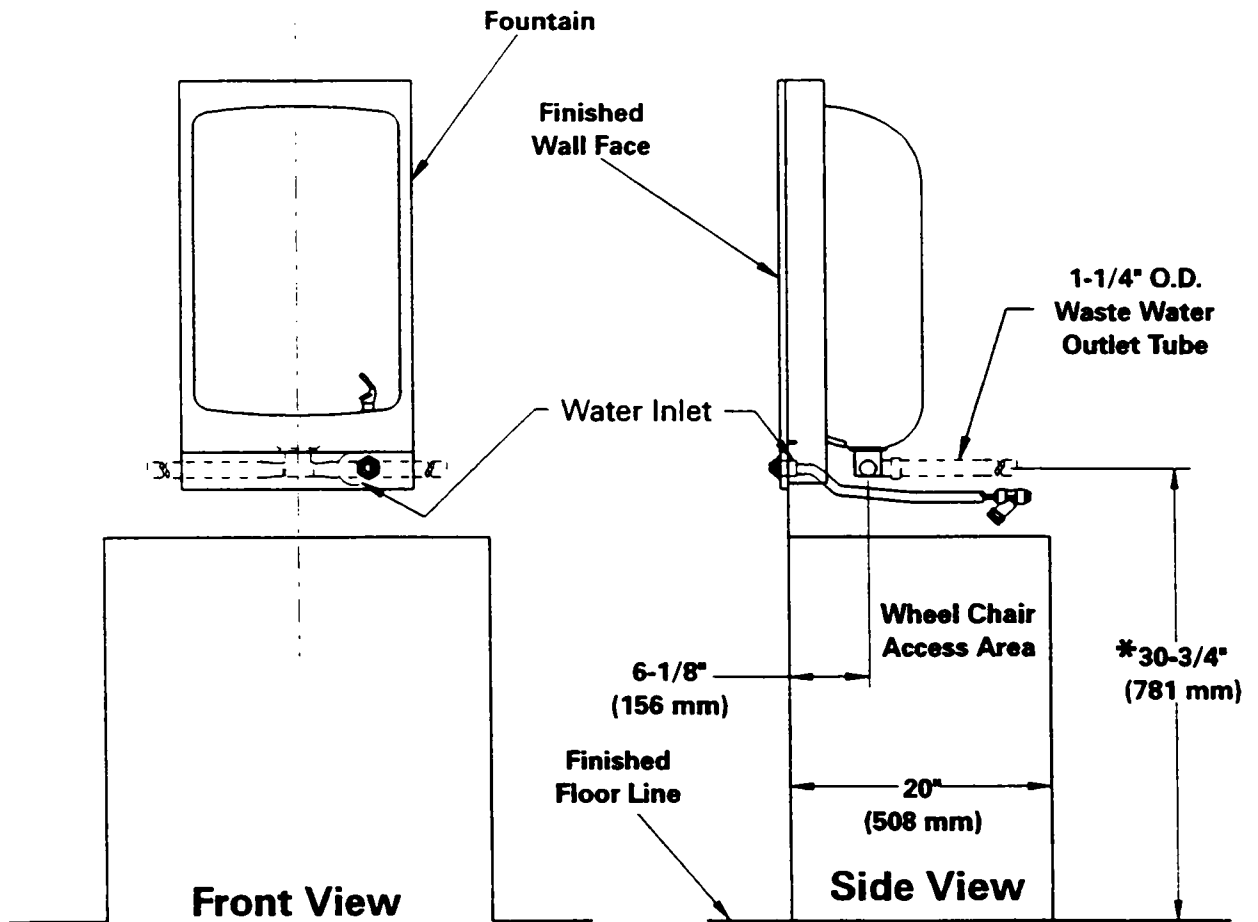
Reinforce wall opening on all sides so that it will adequately support the water fountain. **IT MUST SUPPORT UP TO 150 LBS.** and provide a means of securing the frame assembly in place.

Install rough-in plumbing. See Illustration B for location of supply water inlet and for location of waste water outlet.

Install frame assembly in the wall opening with front edge flush with finished wall face. Secure frame through holes in top and sides to wall support members with 5/16" bolts or lag screws (not supplied). Six (6) bolts/screws are required **CAUTION: BE SURE THAT FRAME ASSEMBLY IS SQUARED IN ITS LOCATION AND DO NOT USE LESS THAN REQUIRED QUANTITY AND DIAMETER OF FASTENERS.**



# ILLUSTRATION B



**\* NOTE: If wall opening height has been adjusted to meet local codes (see step No. 1 of Instructions), height dimensions must be adjusted accordingly.**

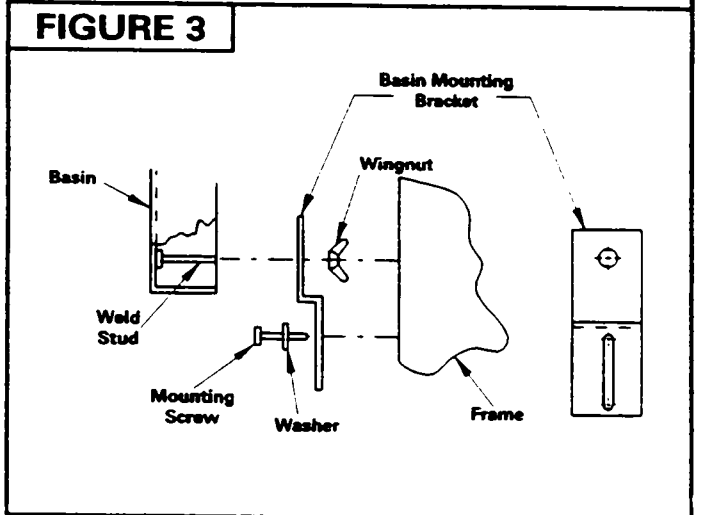
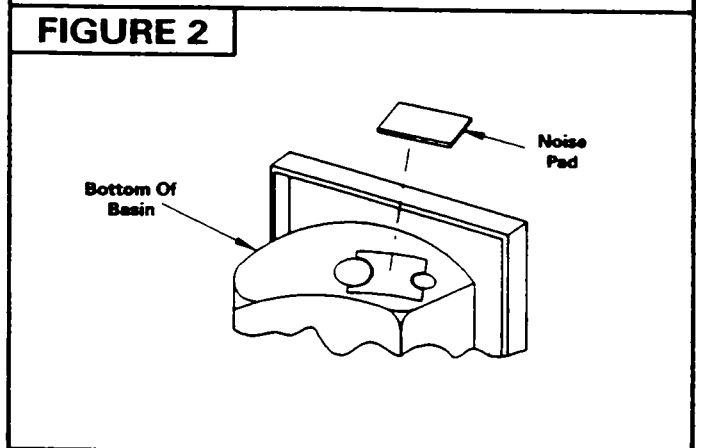
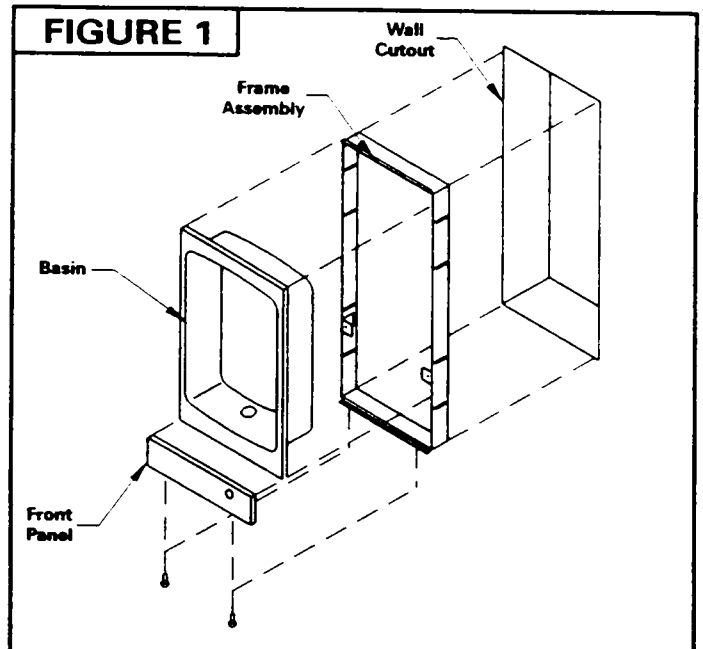
# INSTALLATION INSTRUCTIONS

## BFM-LR MODEL WATER FOUNTAIN INSTALLATIONS

1. Familiarize yourself with the wallbox which should already be placed in the wall. If not, refer to the "Wallbox" Installations before proceeding.
2. Remove noise pad from paper and locate on bottom back of the basin between the drain and the bubbler holes (See Figure 2).

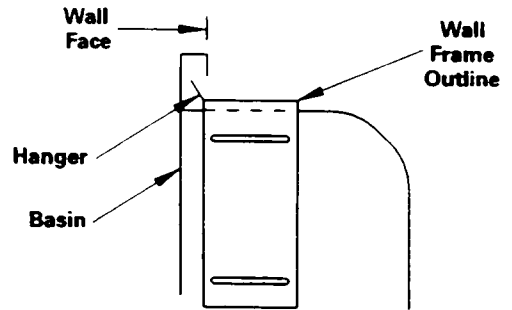
**CAUTION: TO INSURE PAD DOES NOT INTERFERE WITH THE HOLE AREAS, TRIM THE PAD SO THERE IS APPROX. 1/2" CLEARANCE AROUND THE HOLES.**

3. Determine location of rough plumbing.
4. Attach basin mounting brackets to basin studs located in the lower corner with two (2) provided wing nuts (See Figure 3). Tighten securely.
5. Install basin. Place the upper edge of basin above the hangers in the wall frame. Slide the basin down until it engages the hanger. Be sure basin is firmly engaged before releasing it. (See Figure 4 on page 5).
6. Finish securing basin in place through the mounting bracket using the provided two (2) #8 x 3/4" tap screws and two (2) 11/64" ID washers. Tighten securely (See Figure 3).
7. Install waste tube assembly. Align threaded portion of drain tube assembly with the drain hole in the basin. Place rubber gasket between the drain assembly and the basin, then screw in the drain plug from above. Tighten the drain plug. Snap the strainer plate into the drain plug.

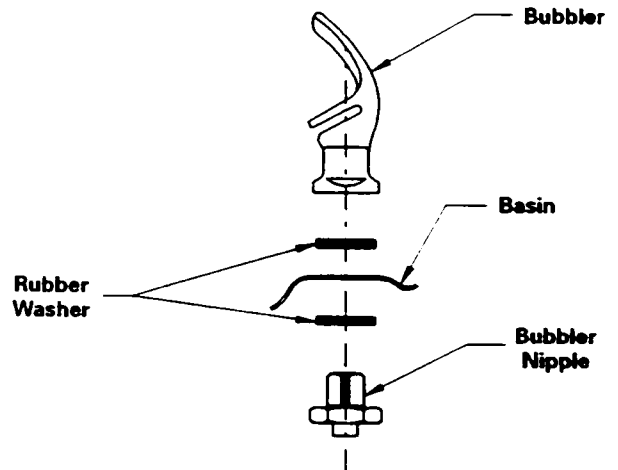


8. Install a service stop (not provided) on supply inlet line (see Figure 7).
9. Make connection from water outlet to regulator valve assembly using the provided Y-strainer. Insert water line in inlet side of "Y"strainer (see Figure 7) to positive stop - approximately 3/4" (19 mm) (see Figure 6).
10. Open service stop and operate push button to purge air from system. Check thoroughly for leaks. Check stream height from bubbler. Stream height is factory set at 45-50 PSI. If supply pressure varies greatly from this, remove items 17 and 18 and adjust screw on regulator (item 14). Clockwise adjustment will raise stream and CCW adjustment will lower stream height. For best adjustment stream height should be approximately 1-1/2" (38 mm) above the bubbler guard. (See Figure 8 on page 7).
11. Attach regulator housing (Item 13) to front panel (Item 3) with hex nut (Item 16). Install front panel (See Figure 1 on page 4). Hold panel and engage angle on top edge of panel with lower edge of basin. Swing bottom of panel into place against the wall and secure using panel mounting screws.

**FIGURE 4**

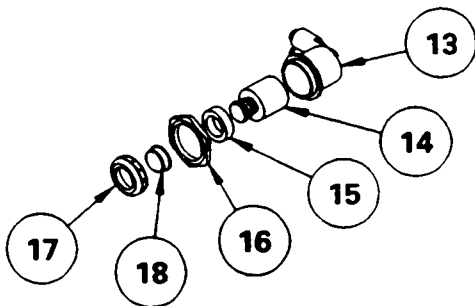
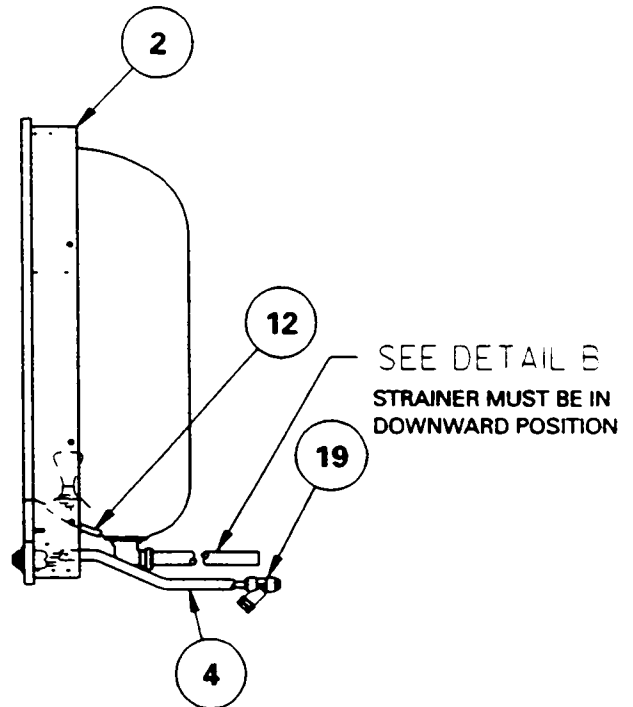
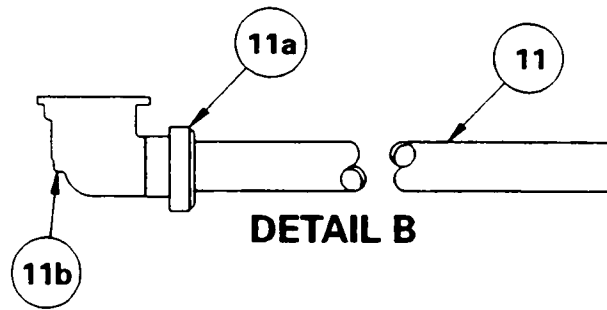
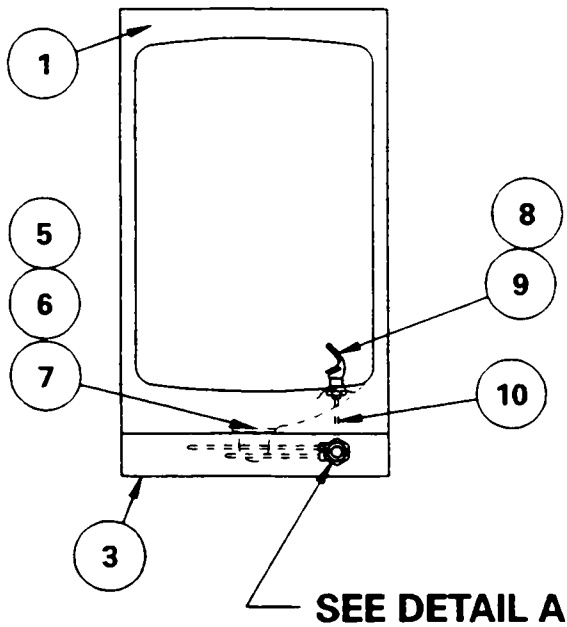


**FIGURE 5**



# ITEMIZED PARTS LIST

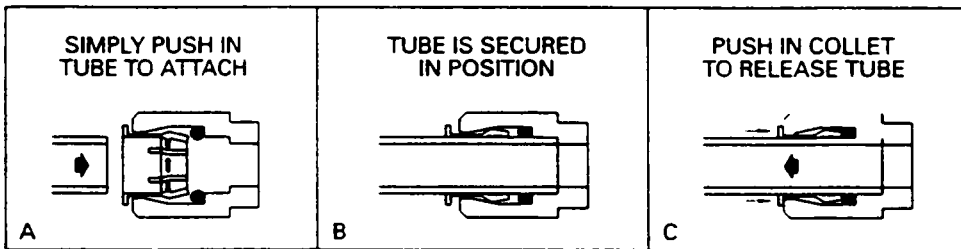
## BFM-LR WATER FOUNTAIN



**DETAIL A**

ITEM	PART NO.	DESCRIPTION
1	170857042830	Basin - Stainless Steel
	410857042450	Basin - Golden Bronzestone
2	734253251550	Mounting Frame
3	23021C	Front Panel - Stainless Steel
	23022C	Front Panel - Golden Bronzestone
4	62257C	Tube-Regulator In
5	100147140560	Gasket
6	160270508650	Strainer Plate - Chrome
	410270508450	Strainer Plate - Golden Bronzestone
7	102639931920	Drain Plug - Chrome
	411637308450	Drain Plug - Golden Bronzestone
8	101422831920	Bubbler - Chrome
	101422831450	Bubbler - Golden Bronzestone
9	100322740560	Gasket - Bubbler (2 Req'd)
10	62300C	Tube Ass'y - Bubbler

ITEM	PART NO.	DESCRIPTION
11	66346C	Tube-Waste
11a	55885C	Nut 1-1/4 Slip Joint
11b	55884C	Elbow - Drain
	74050011	Noise Pad
13	50985C	Holder - Regulator
14	61313C	Regulator
15	10031C	Retaining Nut
16	40169C	Hex Nut - Chrome
	40170C	Hex Nut - Golden Bronzestone
17	40089C	Cover Nut - Chrome
	40119C	Cover Nut - Golden Bronzestone
18	40048C	Button - Chrome
	40065C	Button - Golden Bronzestone
19	70788C	Y - Strainer



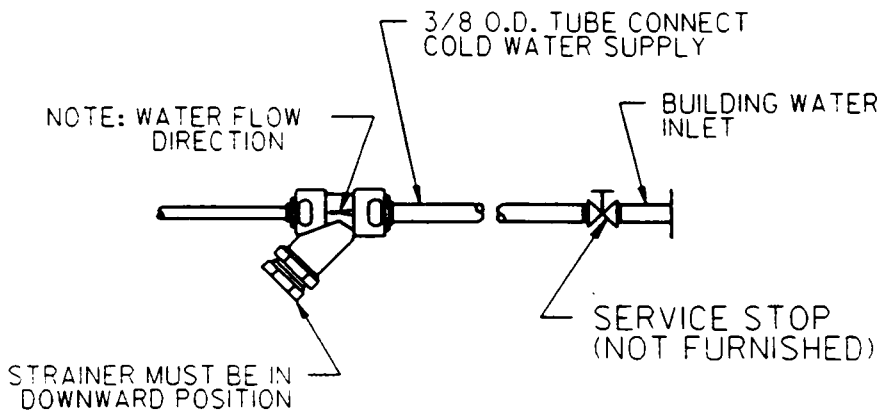
INSERT TUBE TO A POSITIVE STOP - APPROXIMATELY 3/4 OF AN INCH

PUSHING TUBE IN BEFORE PULLING IT OUT HELPS TO RELEASE TUBE

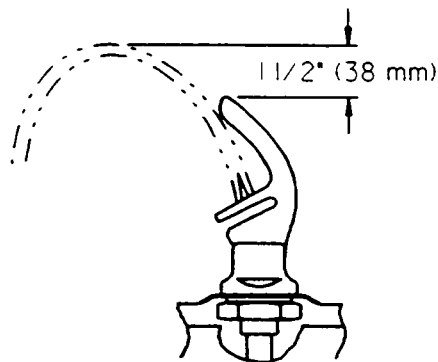
**FIGURE 6**

**Actuation of Quick Connect Water Fittings:**

Cooler is provided with lead-free connectors which utilize an o-ring water seal. To remove tubing from the fitting, relieve water pressure, push in on the gray collar while pulling out on the tubing. To insert tubing, push tube straight into fitting until it reaches a positive stop, approximately 3/4" (19 mm) (see Figure 6).



**FIGURE 7**



**FIGURE 8**

# CAUTION

Cleaning of Golden Bronzitone Models requires special care. Outer surfaces must be cleaned with a mild detergent or mixture of vinegar and water only, rinsed and wiped dry. Abrasive and acidic cleaners may eventually damage the Golden Bronzitone finish.

***Halsey Taylor*** <sup>®</sup>

P. O. BOX 9001  
OAK BROOK, IL 60521  
(708) 574-3500

PRINTED IN U. S. A.